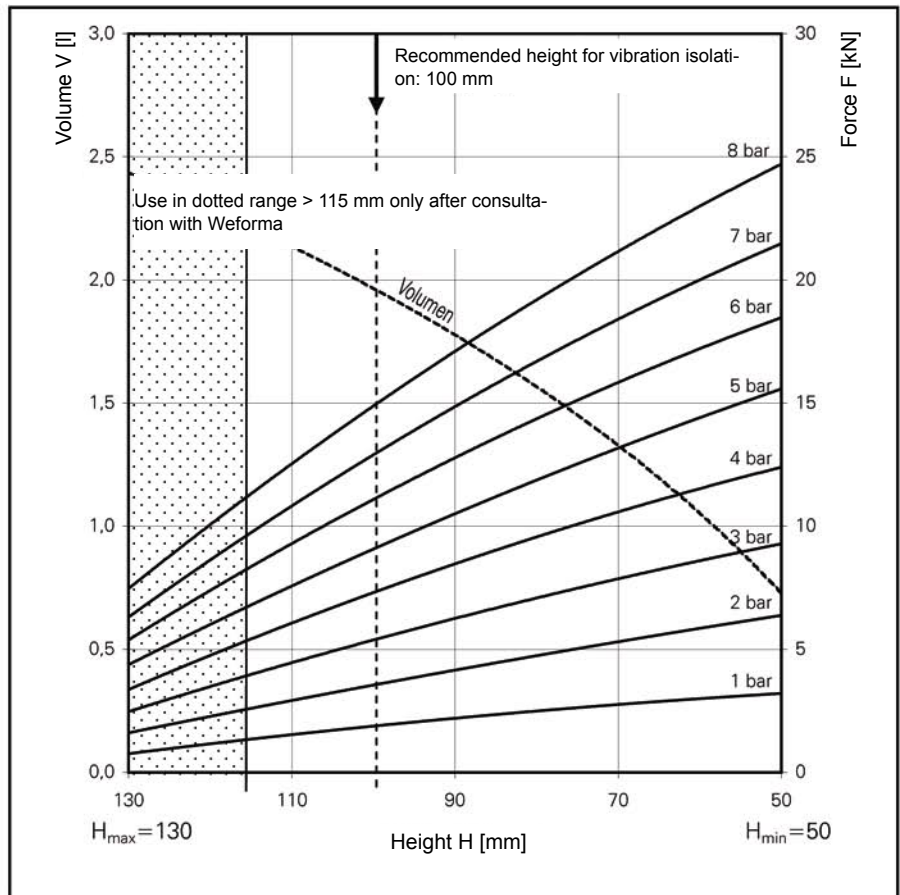
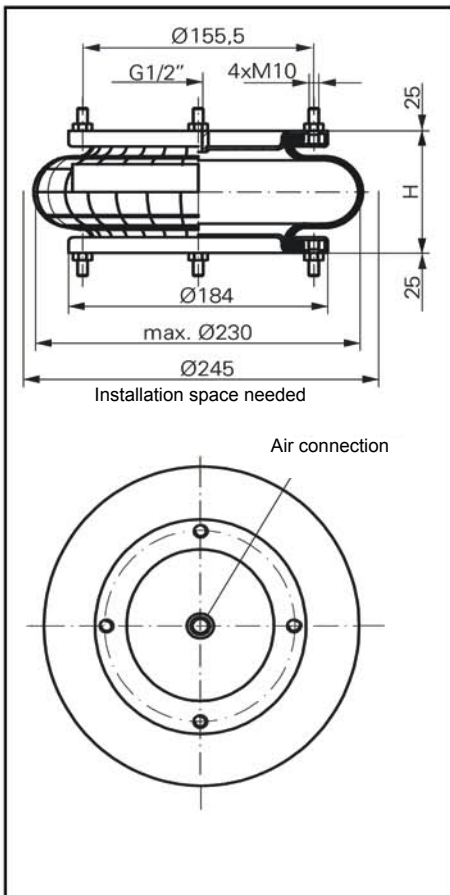


WBE-G 350



Force-height diagramm

Air connection

WBE-G 350-E1 G1/2

Technical data

Min. pressure	0 bar
Return force to min. height	≤ 200 N
Overall weight with clamped plates	3,1 kg

Vibration isolation - dynamic characteristic values

Design height empf. 100mm, minimal 75mm

Pressure p [bar]	3	4	5	6	7	8	Vol. V [l]
Force (Load) [kN]	5,5	7,3	9,1	11,0	13,0	14,9	2,0
Spring rate c [N/cm]	1870	2380	2870	3420	3970	4480	
Natural frequenz f ₀ [Hz]	3,0	2,9	2,8	2,8	2,8	2,8	

Pneumatic application - static characteristic values

Force F [kN]

Pressure p [bar]	3	4	5	6	7	8	Vol.[l]	
Height H [mm]	120	3,4	4,7	6,0	7,4	8,5	10,0	2,3
	100	5,5	7,3	9,0	11,0	12,9	14,9	2,0
	80	7,0	9,6	11,9	14,4	16,7	19,2	1,5
	60	8,6	11,5	14,5	17,3	20,1	23,0	1,0

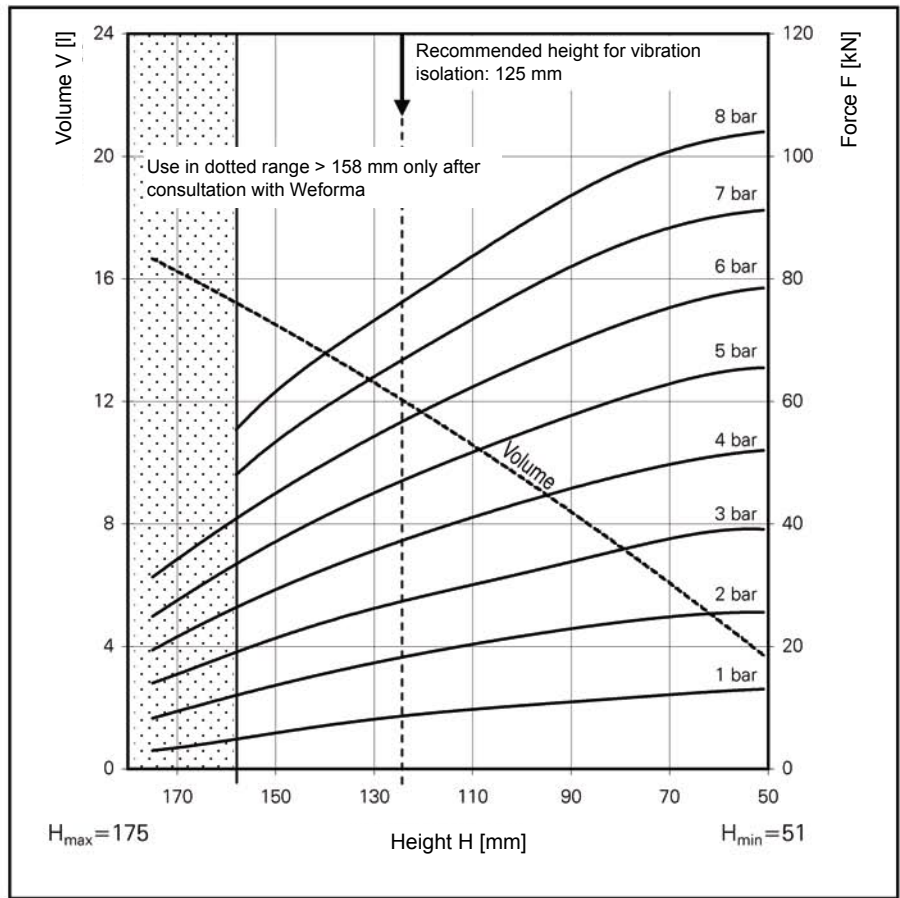
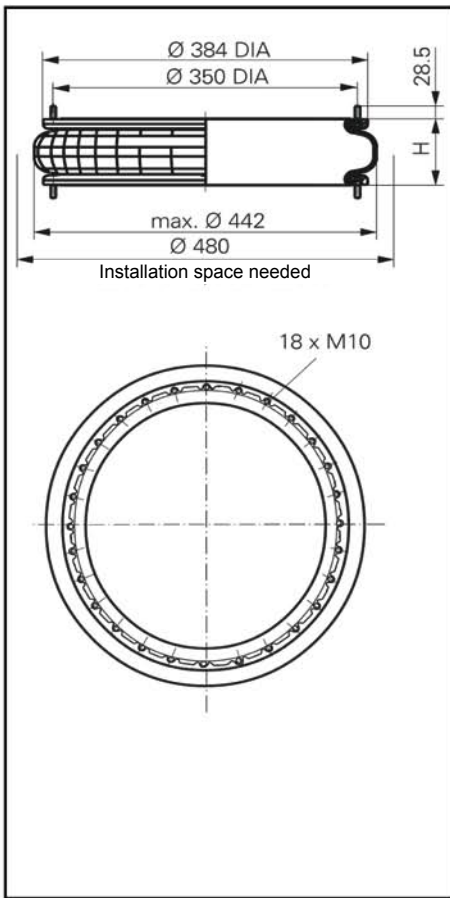


Service instructions

M10 = 25 Nm

G 1/2 = 25 Nm

WBE-G 650



Force-height diagramm

Technical data

Min. pressure	0 bar
Return force to min. height	≤ 100 N
Overall weight with clamped plates	5.0 kg

Vibration isolation - dynamic characteristic values

Design height recommended 125mm, minimum 110mm

Pressure p [bar]	3	4	5	6	7	8	Vol V [l]
Force (Load) [kN]	28.7	38.8	49.0	58.7	68.4	78.1	12.2
Spring rate c [N/cm]	5950	7670	9240	11000	12760	14530	
Natural frequenz f ₀ [Hz]	2.3	2.2	2.2	2.2	2.2	2.1	

Pneumatic application - static characteristic values

Force F [kN]

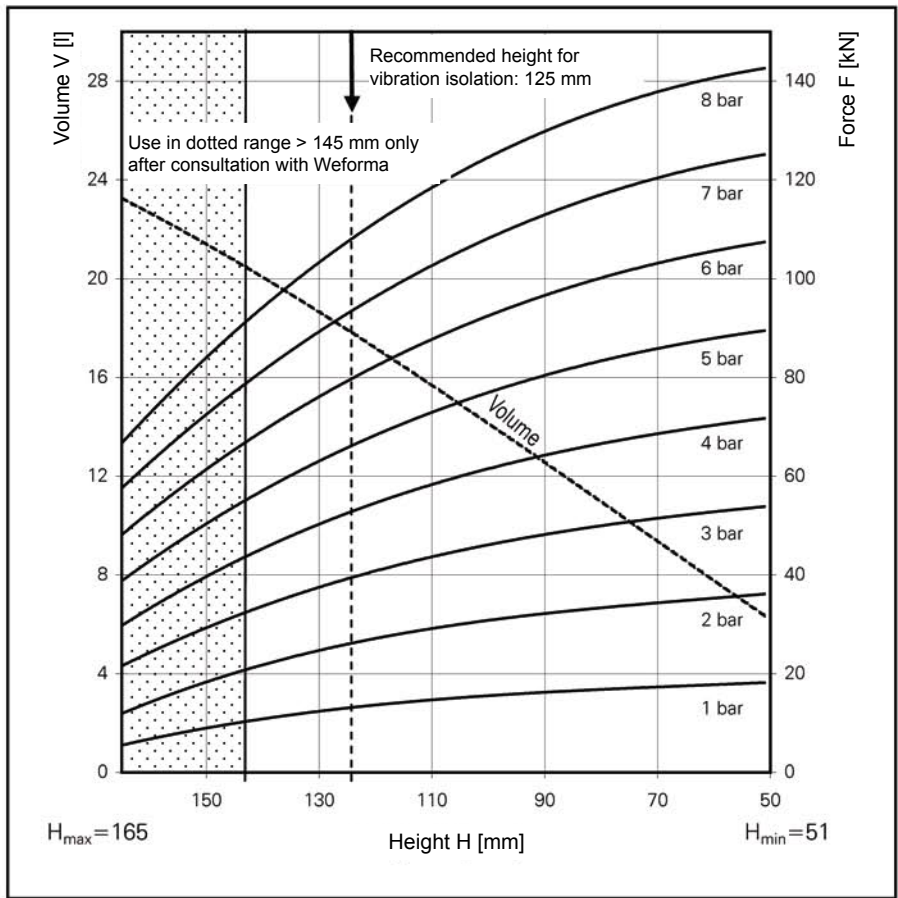
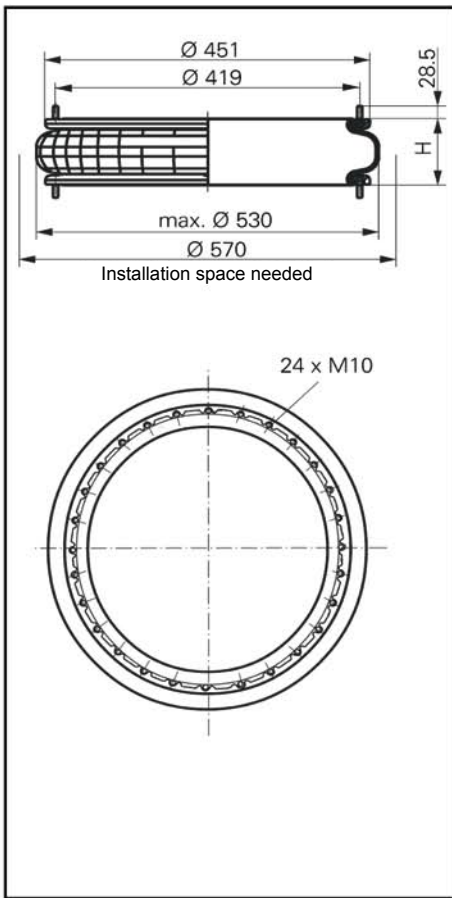
Pressure p [bar]	3	4	5	6	7	8	Vol. [l]	
Height H [mm]	140	23.9	32.7	41.3	49.7	59.0	67.6	13.5
	130	25.8	35.8	45.1	54.3	63.9	73.4	12.6
	120	28.2	38.4	48.2	58.5	68.8	78.3	11.7
	110	30.0	41.2	51.7	62.3	73.5	83.5	10.6
	100	31.8	43.4	54.8	65.9	77.6	88.9	9.5
	90	33.9	45.8	57.7	69.6	82.1	93.6	8.3
	80	35.7	48.0	60.5	72.5	85.7	97.8	7.2
	70	37.6	49.6	62.8	75.3	88.2	100.7	6.0



Service instructions

M 10 = 40 Nm

WBE-G 750



Force-height diagramm

Technical data

Min. pressure	0 bar
Return force to min. height	≤ 89 N
Overall weight with clamped plates	7.3 kg

Vibration isolation - dynamic characteristic values

Design height recommended 125mm, minimum 105mm

Pressure p [bar]	3	4	5	6	7	8	Vol V [l]
Force (Load) [kN]	39.0	52.0	65.0	79.0	93.0	108.0	17.9
Spring rate c [N/cm]	8130	10530	12740	15240	17660	19850	
Natural frequenz f0 [Hz]	2.3	2.2	2.2	2.2	2.2	2.2	

Pneumatic application - static characteristic values

Force F [kN]

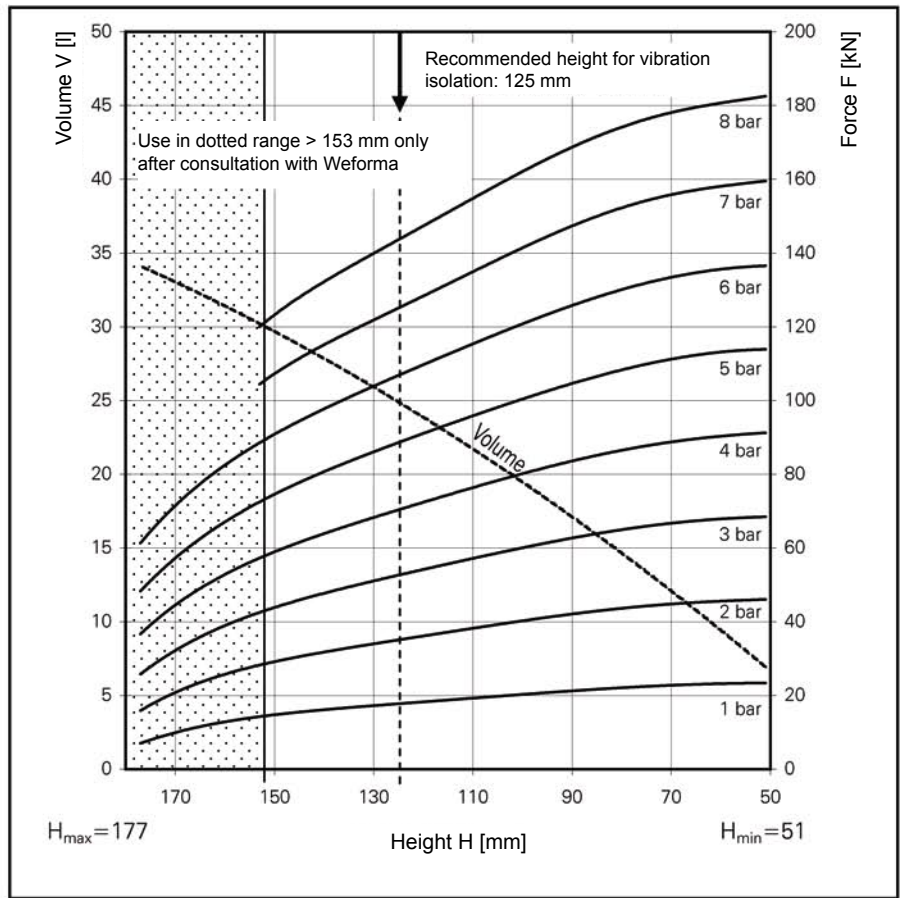
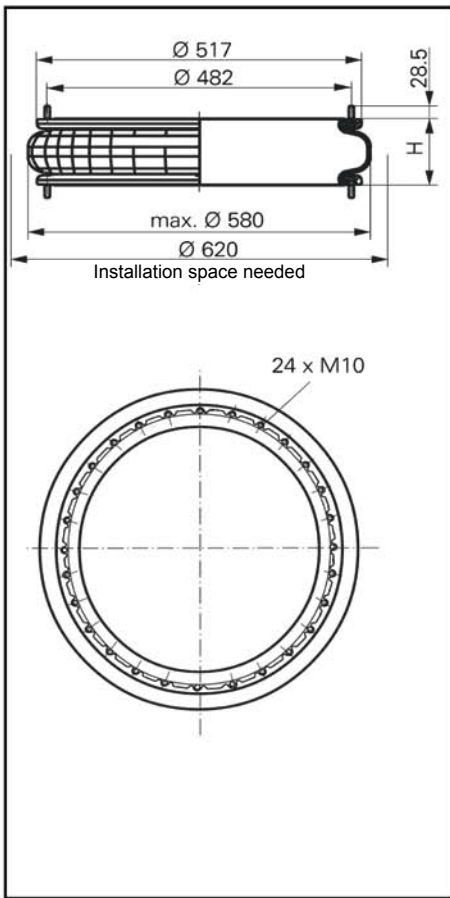
Pressure p [bar]	3	4	5	6	7	8	Vol. [l]
Height H [mm]	140	34.0	45.8	57.5	69.5	81.8	20.1
	130	37.4	50.2	63.0	76.1	89.2	18.7
	120	40.3	54.0	67.6	81.4	95.5	17.1
	110	43.0	57.6	72.3	86.7	101.8	15.7
	100	46.0	61.2	76.8	92.5	108.0	14.0
	90	48.4	64.5	80.6	96.9	113.2	12.7
	80	50.3	67.1	83.9	100.7	117.7	11.0
	70	51.8	69.0	86.2	103.5	120.8	9.3



Service instructions

M 10 = 40 Nm

WBE-G 850



Force-height diagramm

Technical data

Min. pressure	0 bar
Return force to min. height	≤ 120 N
Overall weight with clamped plates	8.7 kg

Vibration isolation - dynamic characteristic values

Design height recommended 125mm, minimum 110mm

Pressure p	[bar]	3	4	5	6	7	8	Vol V [l]
Force (Load)	[kN]	53.6	70.6	87.5	110.0	126.7	145.7	25.0
Spring rate c	[N/cm]	10190	12880	15510	18970	21540	24480	
Natural frequenz f0	[Hz]	2.2	2.2	2.1	2.1	2.1	2.1	

Pneumatic application - static characteristic values

Force F [kN]

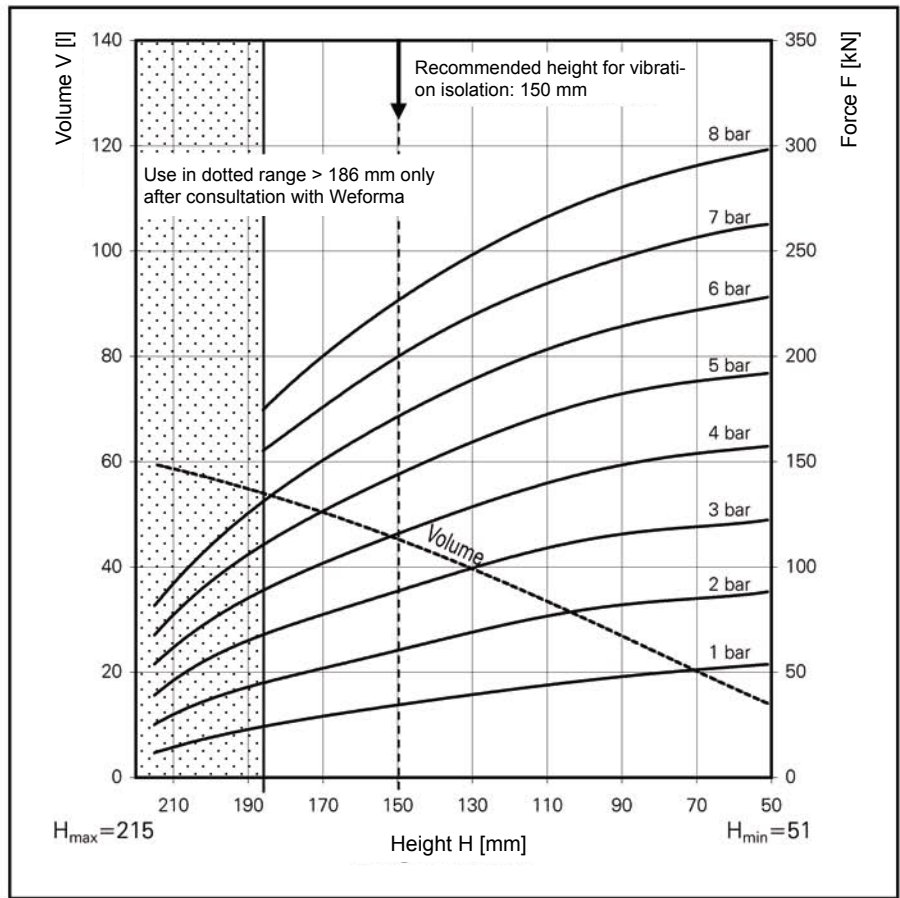
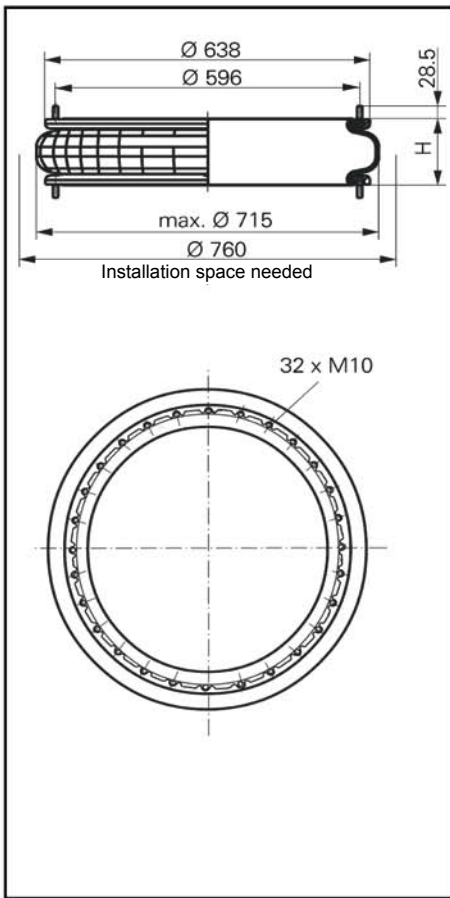
Pressure p	[bar]	3	4	5	6	7	8	Vol.[l]
Height H [mm]	140	48.2	64.4	81.2	98.0	115.2	132.3	27.9
	120	53.8	72.1	90.6	109.3	128.2	147.2	23.9
	100	60.2	80.2	100.5	121.0	141.6	162.3	19.2
	80	65.0	86.6	108.5	130.1	152.1	174.0	14.8
	60	67.8	90.2	112.9	135.5	158.2	180.8	9.5



Service instructions

M 10 = 40 Nm

WBE-G 950



Force-height diagramm

Technical data

Min. pressure	0 bar
Return force to min. height	≤ 670 N
Overall weight with clamped plates	11.1 kg

Vibration isolation - dynamic characteristic values

Design height recommended 150mm, minimum 130mm

Pressure p	[bar]	3	4	5	6	7	8	Vol V [l]
Force (Load)	[kN]	88,7	117	145	173	202	225	48.5
Spring rate c	[N/mm]	14060	17620	21370	24830	28450	31400	
Natural frequenz f ₀	[Hz]	2.0	2.0	1.9	1.9	1.9	1.8	

Pneumatic application - static characteristic values

Force F [kN]

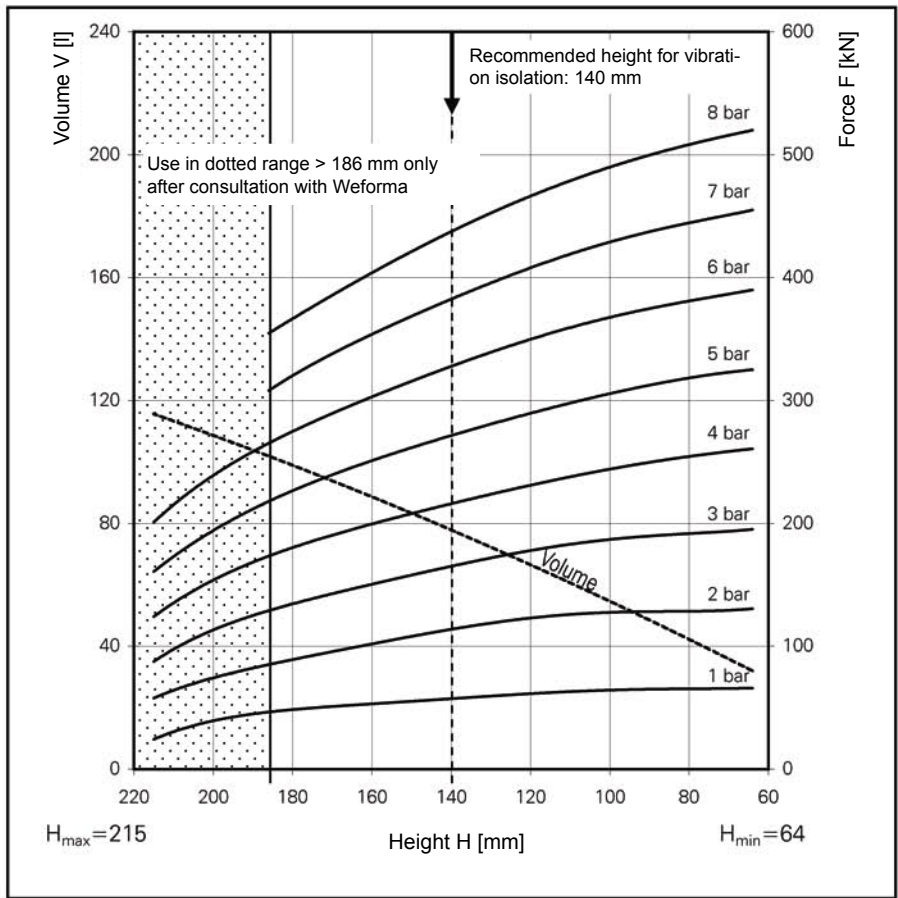
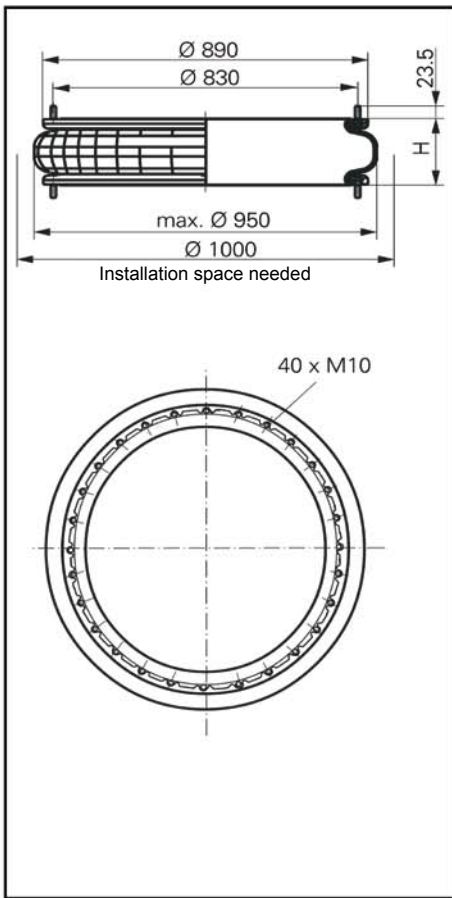
Pressure p	[bar]	3	4	5	6	7	8	Vol.[l]
Height H [mm]	180	70.7	93.8	116.8	139.6	163.9	186.4	52.5
	160	82.9	107.9	135.6	161.0	188.0	212.7	48.0
	140	94.0	123.0	152.0	181.0	209.4	238.0	42.3
	120	105.2	135.0	166.0	196.3	228.8	258.7	37.0
	100	112.0	144.0	178.0	209.3	240.6	272.8	30.0
	80	117.8	150.9	185.4	218.1	251.4	286.0	23.6
	60	120.7	156.9	190.5	225.6	261.1	295.0	17.0



Service instructions

M 10 = 40 Nm

WBE-G 1050



Force-height diagramm

Technical data

Min. pressure	0 bar
Return force to min. height	≤ 1378 N
Overall weight with clamped plates	22.0 kg

Vibration isolation - dynamic characteristic values

Design height recommended 140mm, minimum 120mm

Pressure p [bar]	3	4	5	6	7	8	Vol V [l]
Force (Load) [kN]	162.0	217.0	272.0	328.0	383.0	438.0	77.4
Spring rate c [N/cm]	25780	33040	40150	46970	53750	60520	
Natural frequenz f ₀ [Hz]	2.0	2.0	1.9	1.9	1.9	1.9	

Pneumatic application - static characteristic values

Force F [kN]

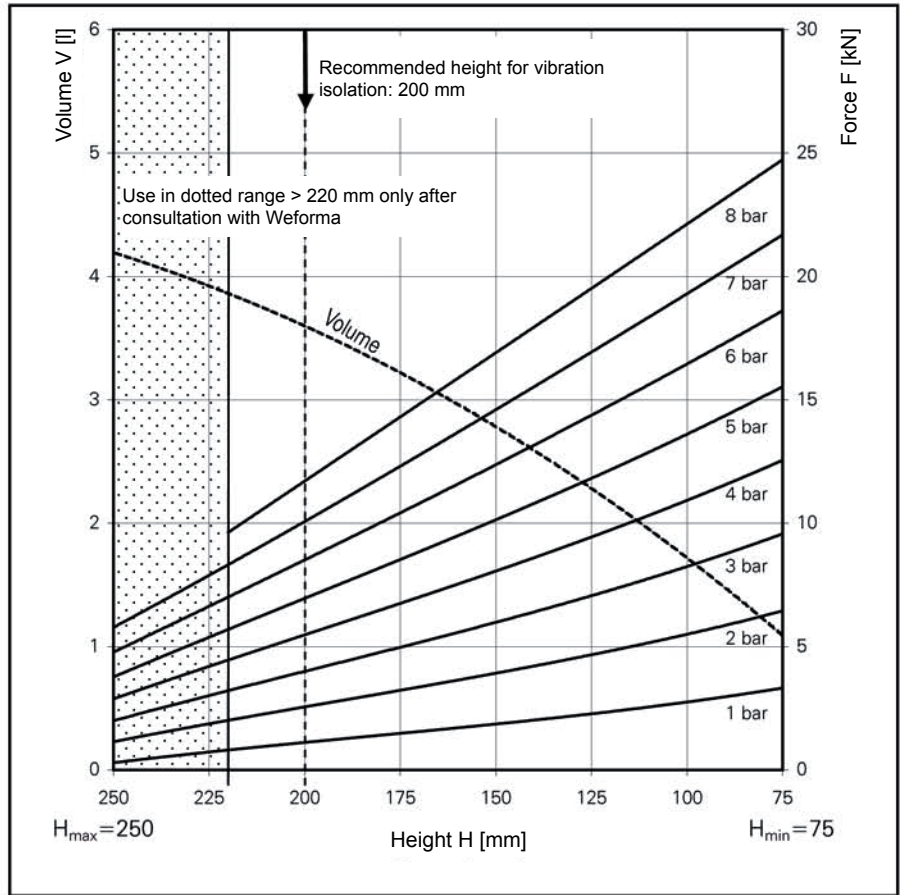
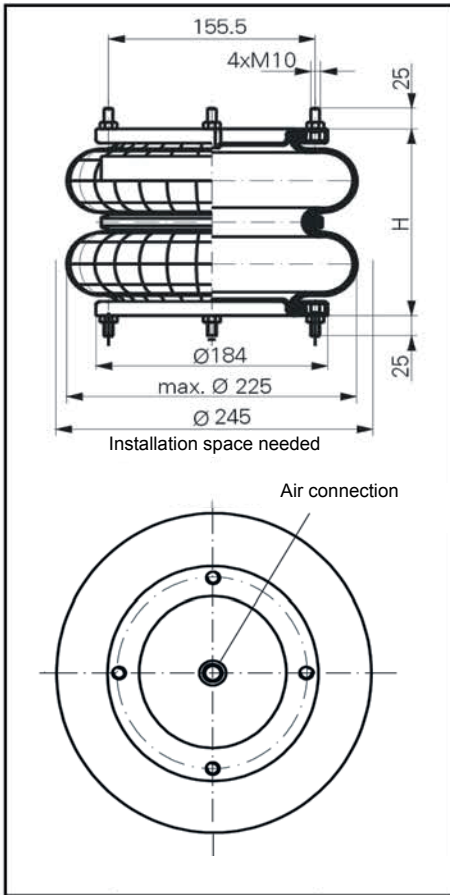
Pressure p [bar]	3	4	5	6	7	8	Vol. [l]	
Height H [mm]	180	133.2	180.1	225.4	274.7	320.4	366.2	99.6
	160	152.0	198.2	251.7	303.0	353.5	404.0	89.0
	140	164.0	217.0	272.0	328.5	383.2	437.9	77.4
	120	177.5	231.2	289.0	349.0	407.2	465.3	66.0
	100	188.4	243.6	305.7	368.2	429.5	490.9	55.0
	80	190.8	254.9	318.6	380.9	444.3	507.8	42.0



Service instructions

M 10 = 40 Nm

WBZ-G 350



Force-height diagramm

Air connection

WBZ-G350

G1/2

Technical data

Min. pressure	0 bar
Return force to min. height	≤ 200 N
Overall weight with clamped plates	3.7 kg

Vibration isolation - dynamic characteristic values

Design height recommended 200mm, minimum 180mm

Pressure p [bar]	3	4	5	6	7	8	Vol V[l]
Force (Load) [kN]	4.1	5.7	7.3	8.8	10.3	11.9	3.6
Spring rate c [N/cm]	715	905	1115	1280	1470	1670	
Natural frequenz f ₀ [Hz]	2.1	2.0	2.0	1.9	1.9	1.9	

Pneumatic application - static characteristic values

Force F [kN]

Pressure p [bar]	3	4	5	6	7	8	Vol.[l]	
Height H [mm]	200	4.20	5.70	7.20	8.80	10.40	12.10	3.6
	150	5.80	7.90	10.00	12.18	14.35	16.65	2.8
	100	8.40	11.05	13.70	16.60	19.50	22.25	1.7



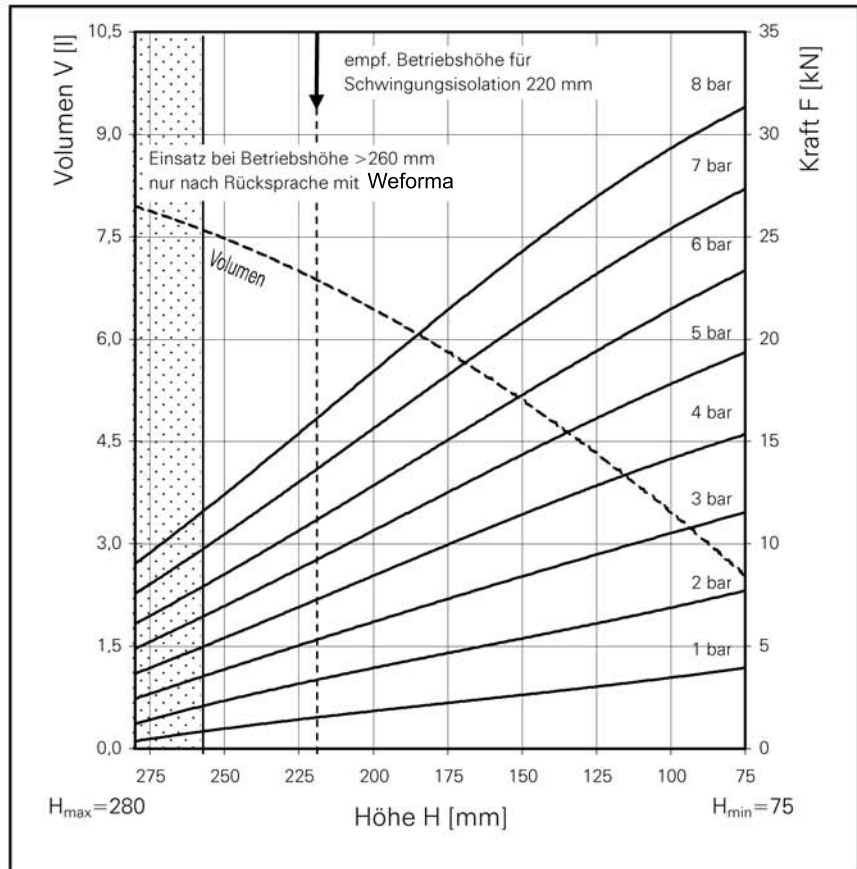
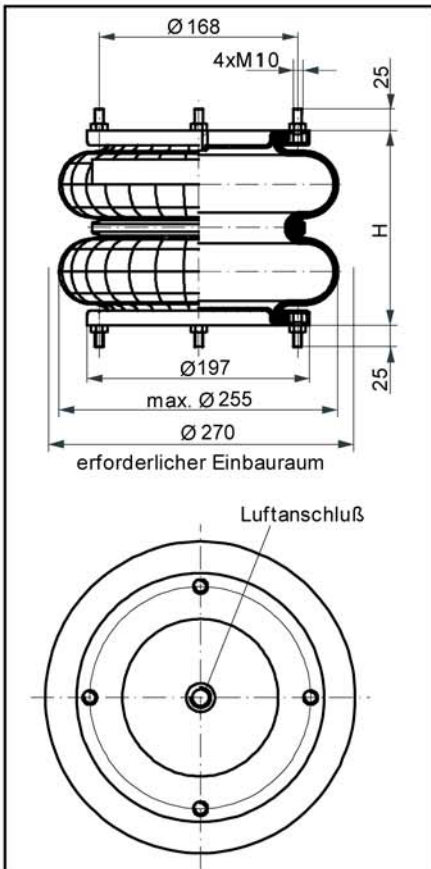
Service instructions

M10 = 25 Nm

G 1/2 = 25 Nm

WBZ-G 400

Weforma



Kraft-Weg-Diagramm

Luftanschluß

WBZ-G 400 G 1/2

mit demontierbaren
Anschlußplatten

Weitere Ausführungen auf Anfrage

Minimaldruck	0 bar
Rückstellkraft auf minimale Höhe	≤ 150 N
Gewicht komplett	4,5 kg

Schwingungsisolation - Dynamische Kennwerte

Betriebshöhe H: empf. 220, minimal 200mm

Druck p [bar]	3	4	5	6	7	8	Vol V[l]
Tragkraft F [kN]	5,4	7,3	9,4	11,5	13,5	15,7	6,9
Steifigkeit c [N/cm]	835	1060	1270	1485	1700	1940	
Eigenfrequenz f ₀ [Hz]	2,0	1,9	1,8	1,7	1,8	1,8	

Pneumatische Anwendung - Statische Kennwerte

Kraft F [kN]

Druck p [bar]	3	4	5	6	7	8	Vol.[l]	
Höhe H [mm]	260	3,5	4,9	6,4	7,8	9,6	11,3	7,7
	230	4,9	6,7	8,6	10,4	12,6	14,8	7,1
	200	6,1	8,3	10,5	12,7	15,6	18,5	6,5
	160	8,0	10,9	13,5	16,1	19,6	23,0	5,3
	130	9,3	12,5	15,8	19,1	22,8	26,4	4,5
	100	10,7	14,3	18,0	21,7	25,6	29,5	3,5
	80	11,3	15,1	19,1	23,0	27,0	31,0	2,8

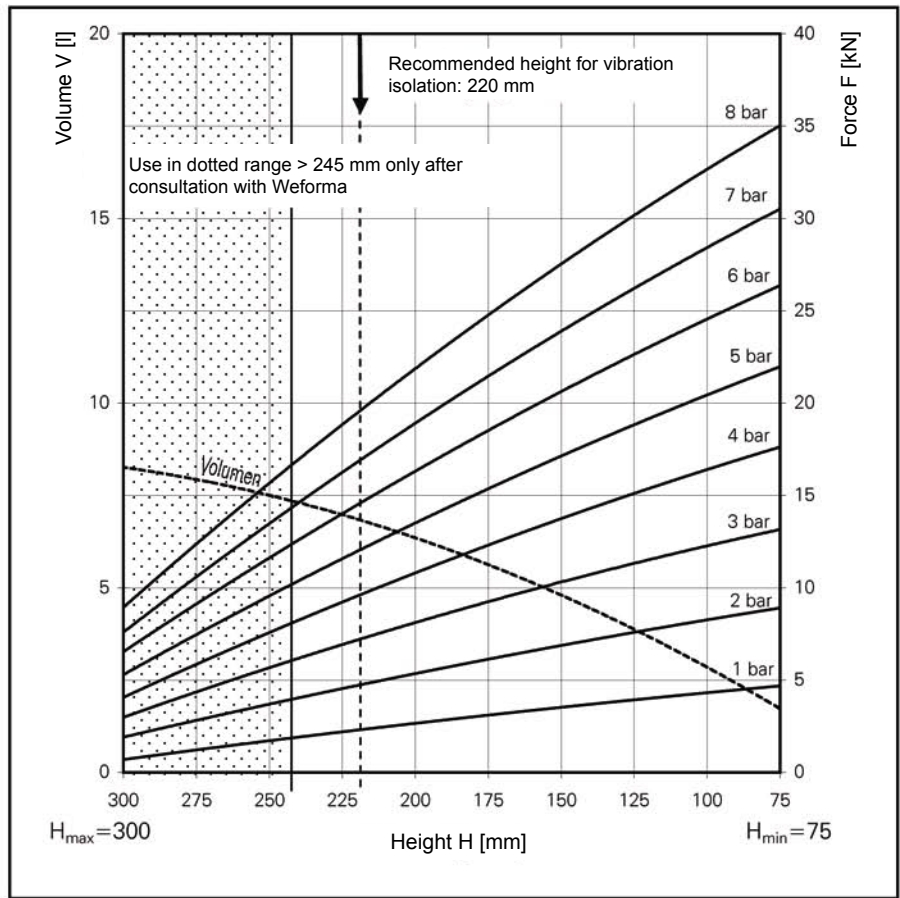
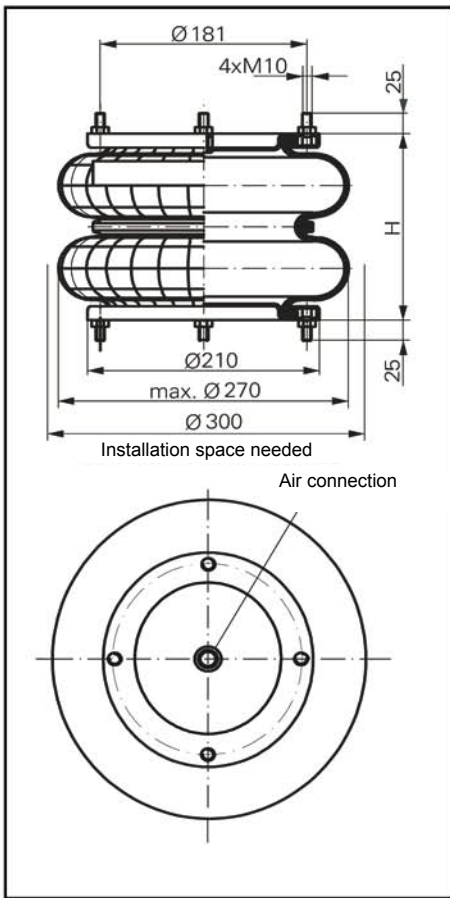


Montagehinweise

M10 = 25 Nm

G 1/2 = 25 Nm

WBZ-G 450



Force-height diagramm

Air connection

WBZ-G450

G1/2

Technical data

Min. pressure	0 bar
Return force to min. height	≤ 200 N
Overall weight with clamped plates	4,8 kg

Vibration isolation - dynamic characteristic values

Design height empf.220, minimal 200mm

Pressure p [bar]	3	4	5	6	7	8	Vol V[l]
Force (Load) [kN]	7,1	9,6	11,6	14,5	16,8	19,4	6,7
Spring rate c [N/cm]	970	1250	1500	1790	2030	2300	
Natural frequenz f ₀ [Hz]	1,9	1,8	1,8	1,8	1,8	1,7	

Pneumatic application - static characteristic values

Force F [kN]

Pressure p [bar]	3	4	5	6	7	8	Vol.[l]	
Height H [mm]	250	5,6	7,5	9,6	11,5	13,5	15,5	7,6
	200	8,2	10,8	13,4	16,3	18,8	22,0	6,4
	150	10,3	13,8	17,1	20,7	24,0	27,5	4,7
	100	12,2	16,4	20,7	24,6	28,4	32,7	2,8

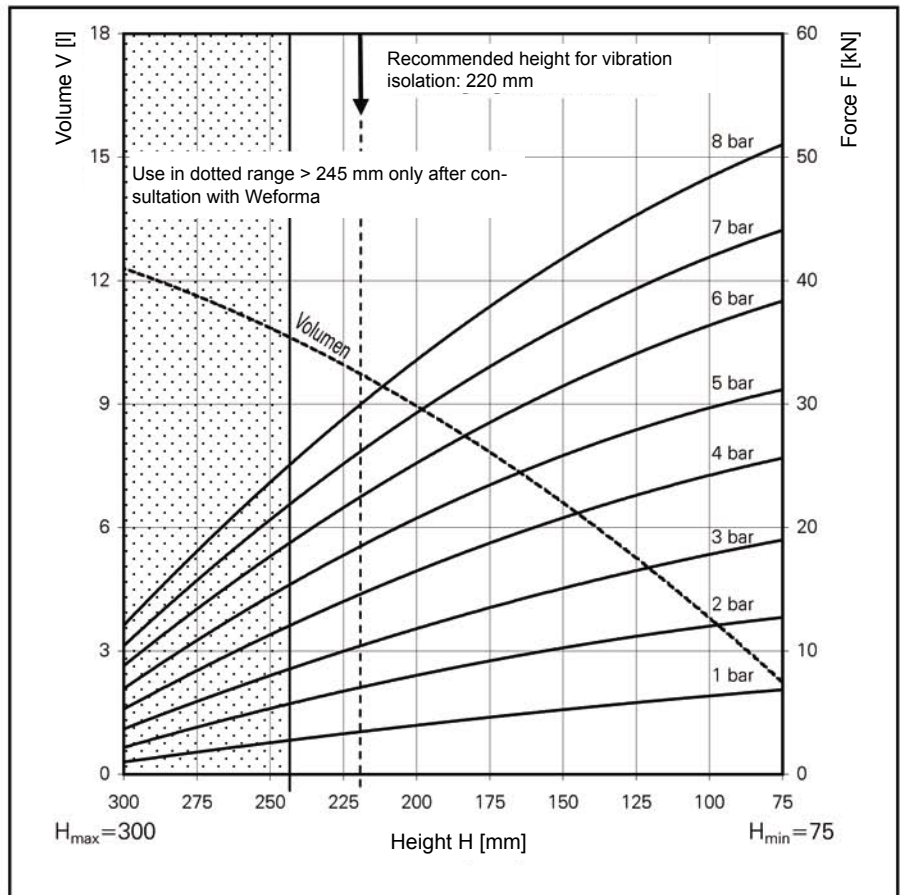
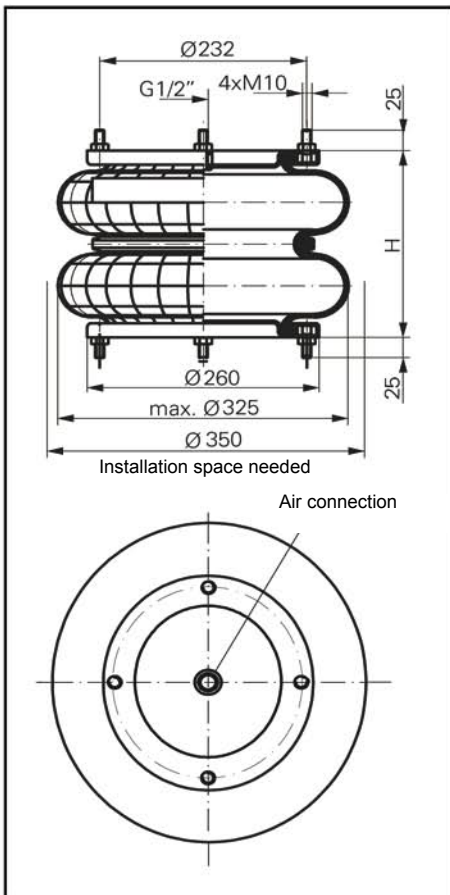


Service instructions

M10 = 25 Nm

G 1/2 = 25 Nm

WBZ-G 550



Force-height diagramm

Air connection

WBZ-G550

G1/2

Technical data

Min. pressure	0 bar
Return force to min. height	≤ 300 N
Overall weight with clamped plates	6,7 kg

Vibration isolation - dynamic characteristic values

Design height empf. 220, minimal 200mm

Pressure p	[bar]	3	4	5	6	7	8	Vol V[l]
Force (Load)	[kN]	10,3	14,6	18,3	22,3	26,1	30,0	9,8
Spring rate c	[N/cm]	1550	2000	2430	2850	3300	3730	
Natural frequenz f0	[Hz]	2,0	1,9	1,8	1,8	1,8	1,8	

Pneumatic application - static characteristic values

Force F [kN]

Pressure p	[bar]	3	4	5	6	7	8	Vol.[l]
Height H [mm]	250	7,8	11,2	14,6	17,5	20,7	23,4	10,8
	200	11,8	16,5	20,7	25,2	29,0	33,3	9,0
	150	15,2	20,8	25,8	31,6	36,5	42,0	6,6
	100	18,0	24,1	29,8	36,5	42,0	48,6	3,7

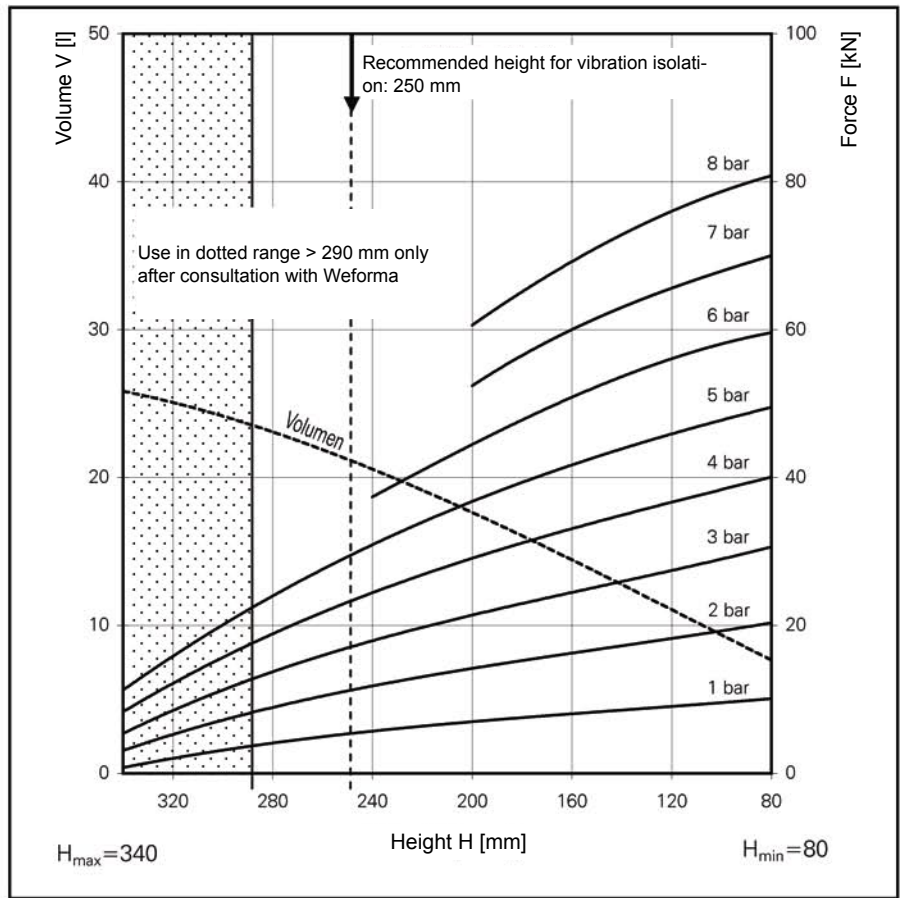
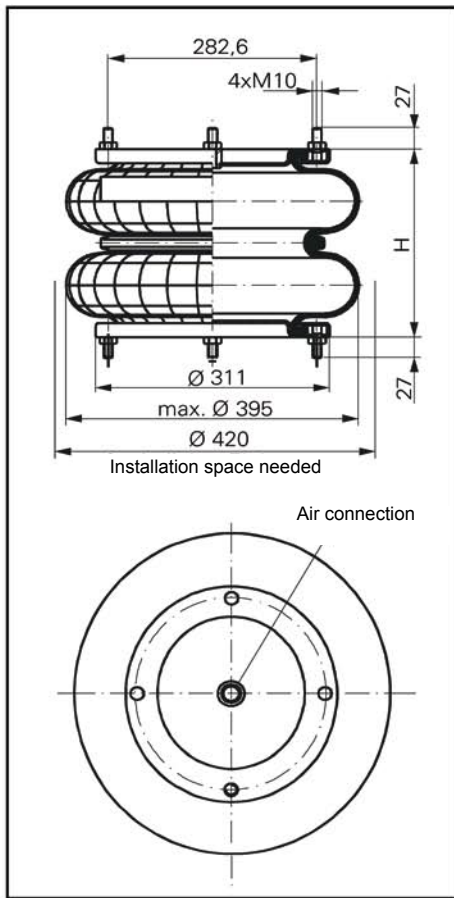


Service instructions

M10 = 25 Nm

G 1/2 = 25 Nm

WBZ-G 600



Force-height diagramm

Air connection

WBZ-G600

G1/2

Technical data

Min. pressure	0 bar
Return force to min. height	≤ 200 N
Overall weight with clamped plates	9,3 kg

Vibration isolation - dynamic characteristic values

Design height empf. 250, minimal 230 mm

Pressure p [bar]	3	4	5	6	7	8	Vol V [l]
Force (Load) [kN]	17,2	23,3	29,3	35,3	41,4	47,3	21,3
Spring rate c [N/cm]	1990	2550	3100	3645	4185	4690	
Natural frequenz f0 [Hz]	1,7	1,7	1,6	1,6	1,6	1,6	

Pneumatic application - static characteristic values

Force F [kN]

Pressure p [bar]	3	4	5	6	7	8	Vol. [l]
Height H [mm]	280	13,6	18,9	24,2	-	-	23,2
	240	17,8	24,1	30,4	37,4	-	20,7
	200	21,4	28,9	36,4	44,4	52,4	17,6
	160	24,6	33,3	41,9	51,0	60,0	14,4
	120	27,4	36,9	46,4	56,0	65,6	11,1
	80	30,6	39,9	49,2	59,6	70,0	7,7

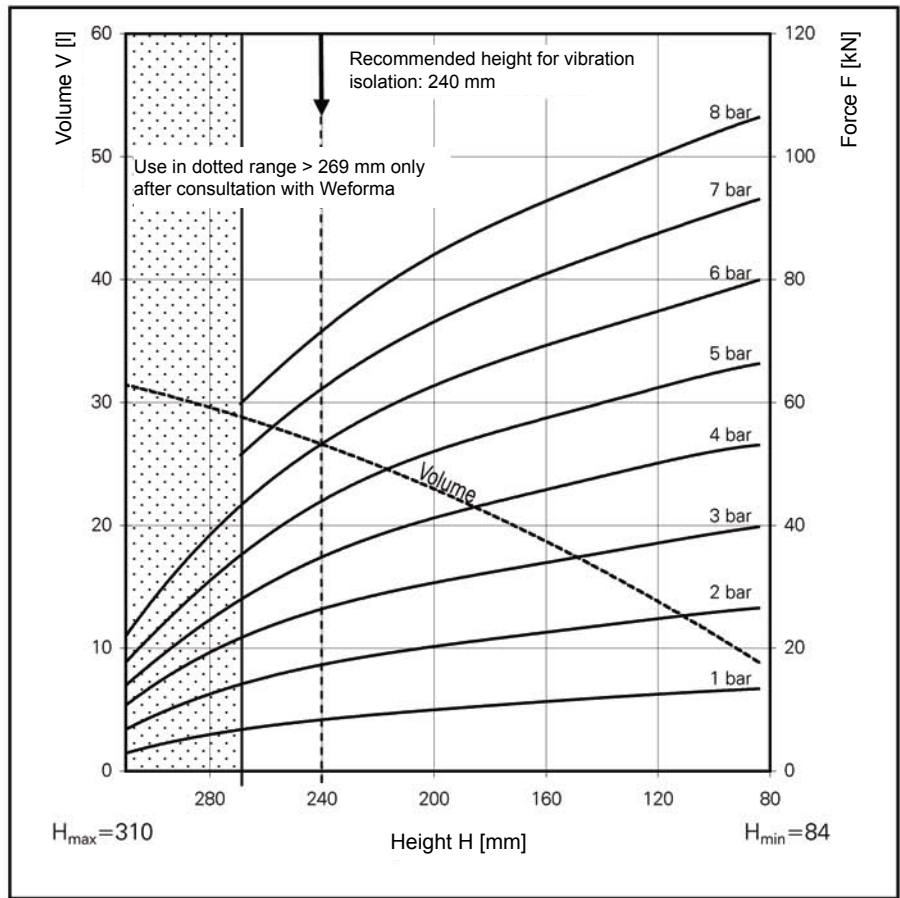
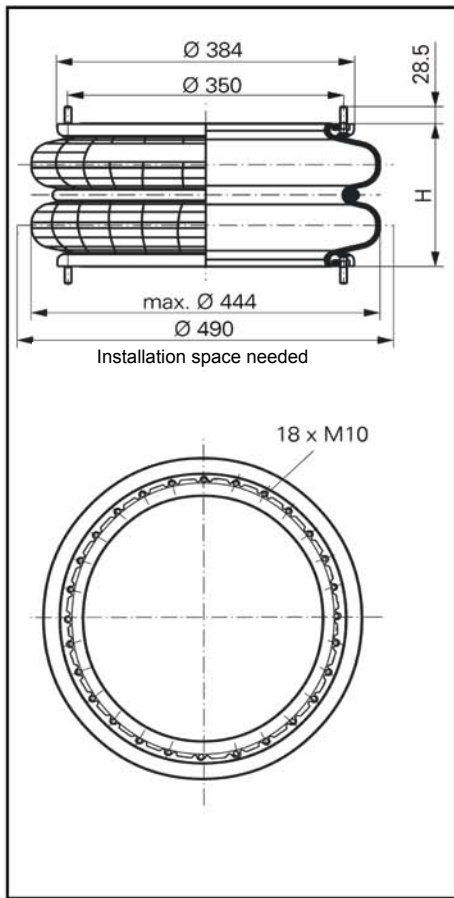


Service instructions

M10 = 25 Nm

G 1/2 = 25 Nm

WBZ-G 650



Force-height diagramm

Technical data

Min. pressure	0 bar
Return force to min. height	≤ 200 N
Overall weight with clamped plates	8.6 kg

Vibration isolation - dynamic characteristic values

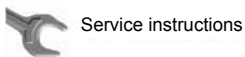
Design height recommended 240mm, minimum 220mm

Pressure p [bar]	3	4	5	6	7	8	Vol V [l]
Force (Load) [kN]	27.4	35.2	45.6	54.6	63.1	71.5	25.5
Spring rate c [N/cm]	3120	3900	4770	5600	6460	7310	
Natural frequenz f0 [Hz]	1.7	1.7	1.6	1.6	1.6	1.6	

Pneumatic application - static characteristic values

Force F [kN]

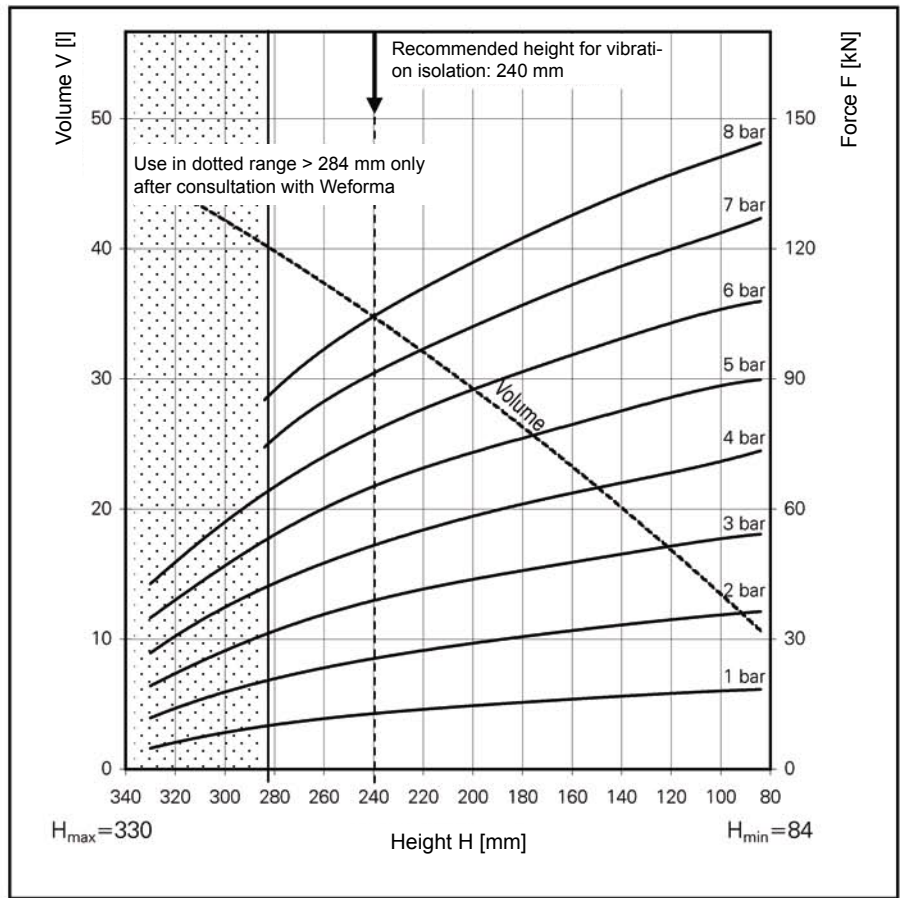
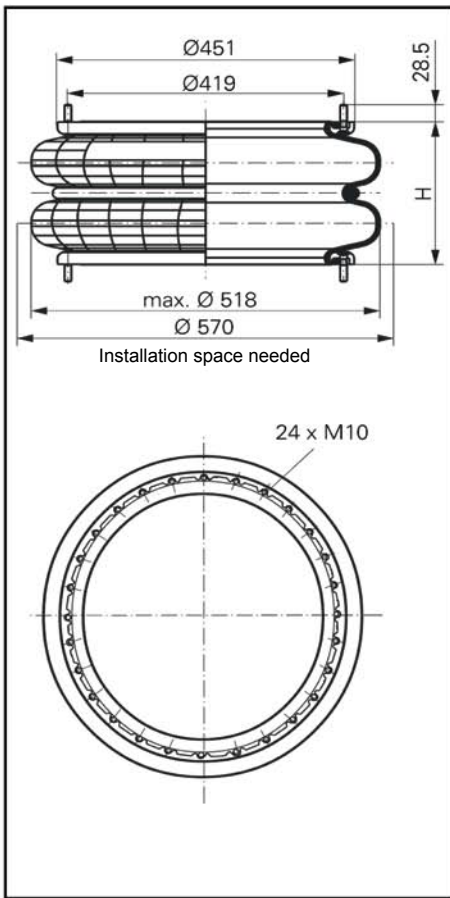
Pressure p [bar]	3	4	5	6	7	8	Vol. (l)
Height H [mm]	220	28.7	38.1	48.2	58.1	68.2	25.0
	200	30.9	41.0	51.9	62.9	73.1	23.0
	180	32.2	43.8	54.8	66.2	77.2	21.0
	160	33.9	46.0	57.7	69.5	81.1	18.6
	140	35.5	47.6	59.8	71.9	84.3	16.3
	120	37.3	50.1	62.3	74.7	87.4	13.8
	100	38.6	52.2	64.8	77.8	90.8	11.1



Service instructions

=

WBZ-G 750



Force-height diagramm

Technical data

Min. pressure	0 bar
Return force to min. height	≤ 178 N
Overall weight with clamped plates	10.2 kg

Vibration isolation - dynamic characteristic values

Design height recommended 240mm, minimum 220mm

Pressure p	[bar]	3	4	5	6	7	8	Vol V [l]
Force (Load)	[kN]	39.0	51.4	65.3	77.8	91.1	103.9	35.0
Spring rate c	[N/cm]	4140	5370	6510	7640	8740	9960	
Natural frequenz f ₀	[Hz]	1.6	1.6	1.6	1.5	1.5	1.5	

Pneumatic application - static characteristic values

Force F [kN]

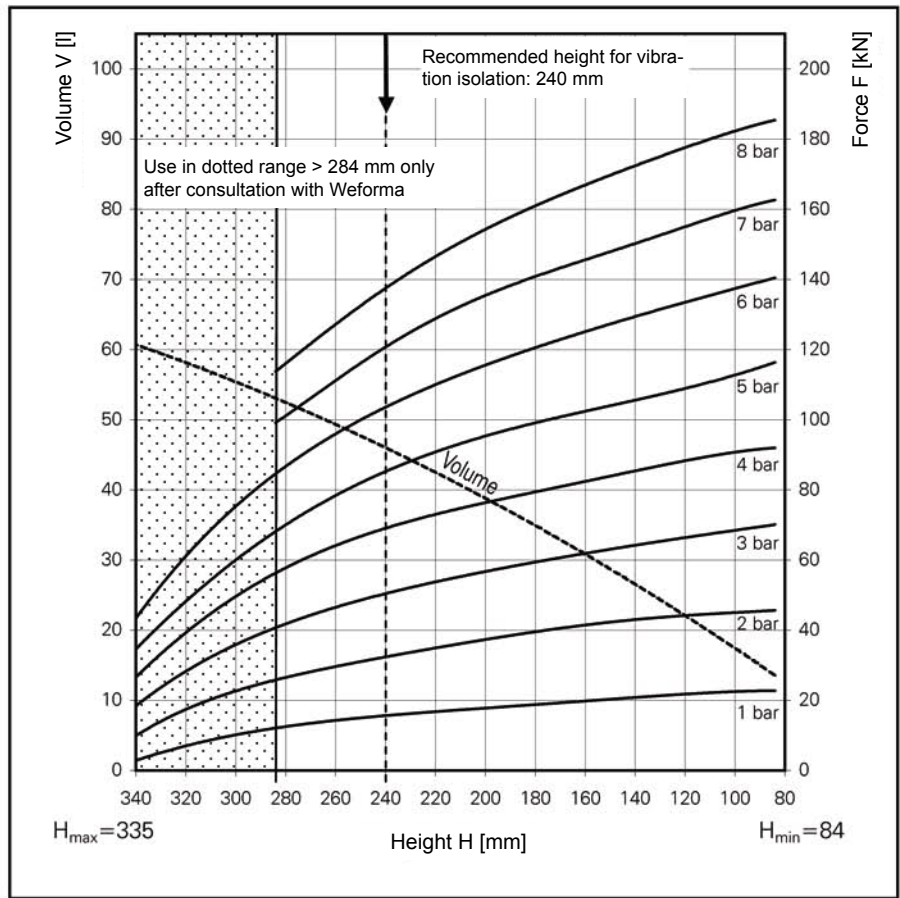
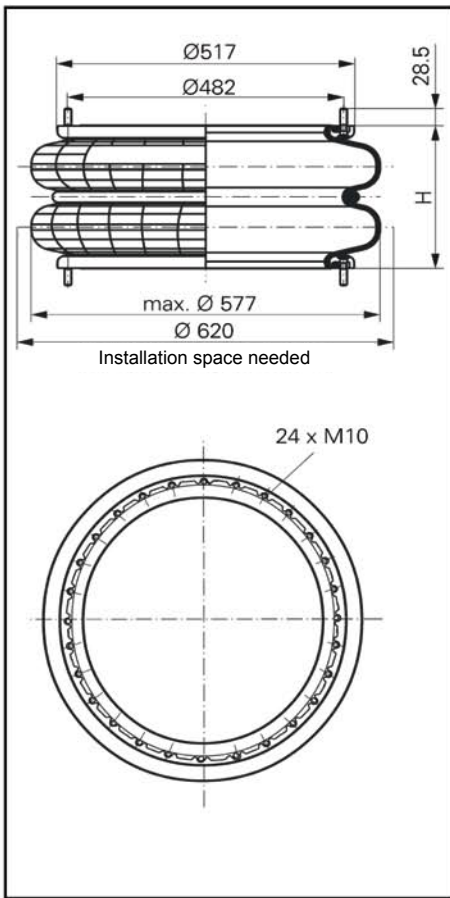
Pressure p	[bar]	3	4	5	6	7	8	Vol.[l]
Height H [mm]	270	34.1	45.9	57.6	69.2	81.1	92.8	38.7
	240	39.0	51.4	65.3	77.8	91.1	103.9	35.0
	210	42.4	56.5	70.9	85.2	99.4	114.0	30.8
	180	45.8	61.2	76.5	91.8	107.3	122.7	26.0
	150	48.7	64.9	81.0	97.3	113.5	129.9	21.5
	120	51.4	68.4	85.7	102.8	119.9	137.0	16.6



Service instructions

M 10 = 40 Nm

WBZ-G 850



Force-height diagramm

Technical data

Min. pressure	0 bar
Return force to min. height	≤ 311 N
Overall weight with clamped plates	12.0 kg

Vibration isolation - dynamic characteristic values

Design height recommended 240mm, minimum 220mm

Pressure p [bar]	3	4	5	6	7	8	Vol V [l]
Force (Load) [kN]	51.6	69.4	86.6	102.8	121.1	136.6	46.0
Spring rate c [N/cm]	5360	6820	8360	9700	11200	12560	
Natural frequenz f ₀ [Hz]	1.6	1.6	1.6	1.5	1.5	1.5	

Pneumatic application - static characteristic values

Force F [kN]

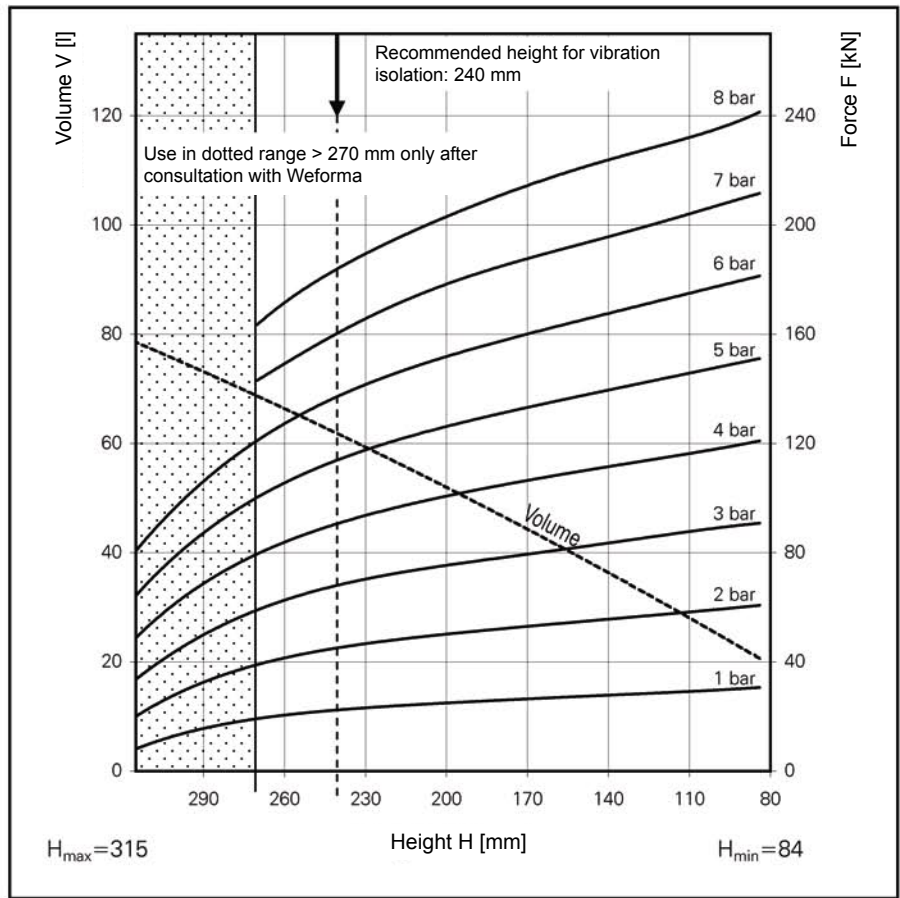
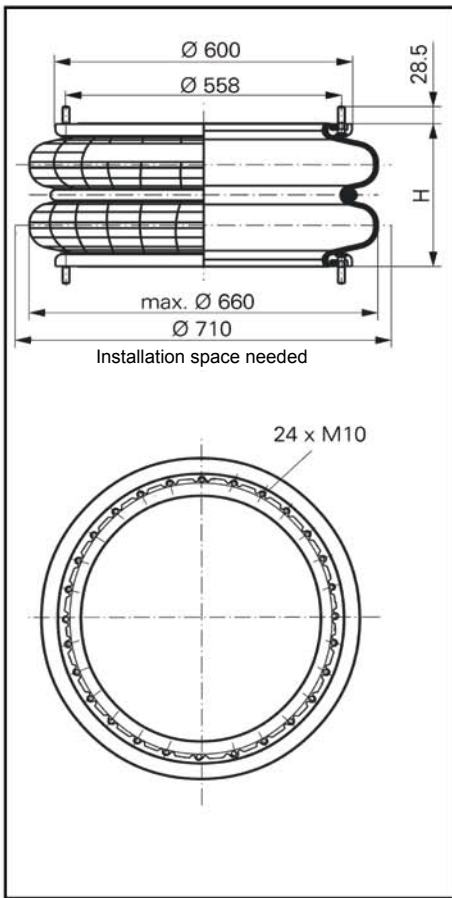
Pressure p [bar]	3	4	5	6	7	8	Vol. [l]
Height H [mm]	280	42.1	57.8	69.6	86.4	101.3	52.4
	240	49.8	68.4	85.4	103.4	120.6	46.0
	200	57.0	76.5	95.4	115.7	135.5	38.9
	160	61.9	82.6	102.2	125.0	145.5	30.8
	120	66.3	88.1	109.0	133.5	155.0	22.3



Service instructions

M 10 = 40 Nm

WBZ-G 900



Force-height diagramm

Technical data

Min. pressure	0 bar
Return force to min. height	≤ 445 N
Overall weight with clamped plates	14.1 kg

Vibration isolation - dynamic characteristic values

Design height recommended 240mm, minimum 220mm

Pressure p [bar]	3	4	5	6	7	8	Vol V [l]
Force (Load) [kN]	69.2	90.5	114.9	137.6	161.4	186.1	61.6
Spring rate c [N/cm]	7220	9050	11120	12990	14920	16950	
Natural frequenz f ₀ [Hz]	1.6	1.6	1.6	1.5	1.5	1.5	

Pneumatic application - static characteristic values

Force F [kN]

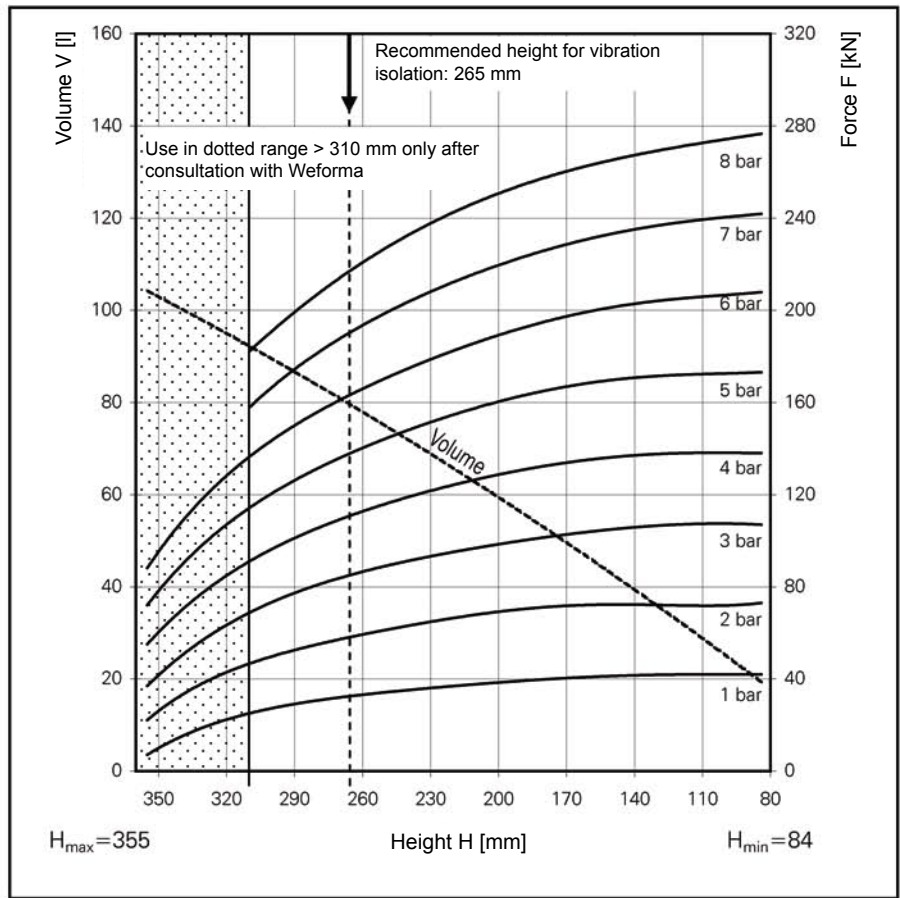
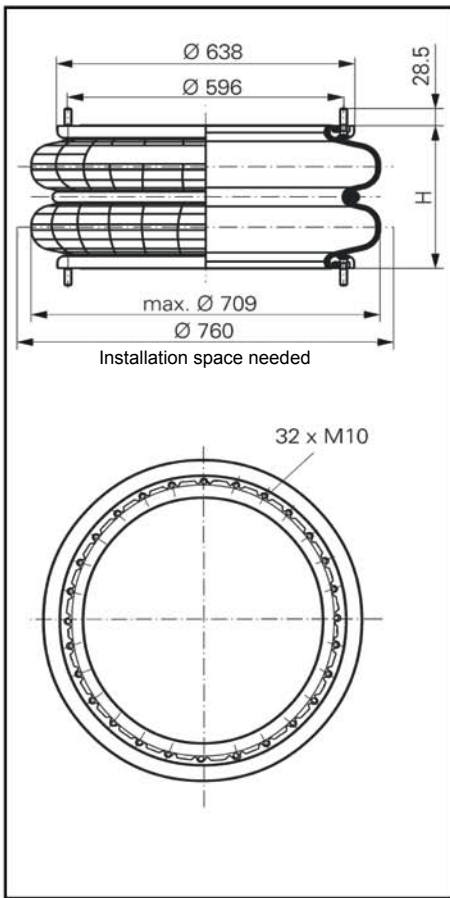
Pressure p [bar]	3	4	5	6	7	8	Vol. (l)	
Height H [mm]	260	62.7	83.8	105.5	127.5	149.4	171.6	66.5
	240	68.0	90.7	113.9	137.2	160.5	184.0	61.6
	220	72.0	96.2	120.5	145.1	169.8	194.4	57.1
	200	74.8	100.3	125.8	151.3	179.0	202.8	52.0
	180	78.2	104.8	131.1	157.6	184.3	210.8	47.1
	160	81.4	108.4	135.8	163.3	190.7	218.2	41.5
	140	83.3	111.2	139.3	167.2	195.3	223.3	36.1
	120	86.1	114.7	143.5	172.4	201.3	229.5	30.7



Service instructions

M 10 = 40 Nm

WBZ-G 950



Force-height diagramm

Technical data

Min. pressure	0 bar
Return force to min. height	≤ 700 N
Overall weight with clamped plates	15.4 kg

Vibration isolation - dynamic characteristic values

Design height recommended 265mm, minimum 245mm

Pressure p [bar]	3	4	5	6	7	8	Vol V [l]
Force (Load) [kN]	85.2	113.3	138.7	166.0	190.4	217.6	79.5
Spring rate c [N/cm]	7730	9850	11780	13900	15530	17700	
Natural frequenz f ₀ [Hz]	1.5	1.5	1.5	1.5	1.4	1.4	

Pneumatic application - static characteristic values

Force F [kN]

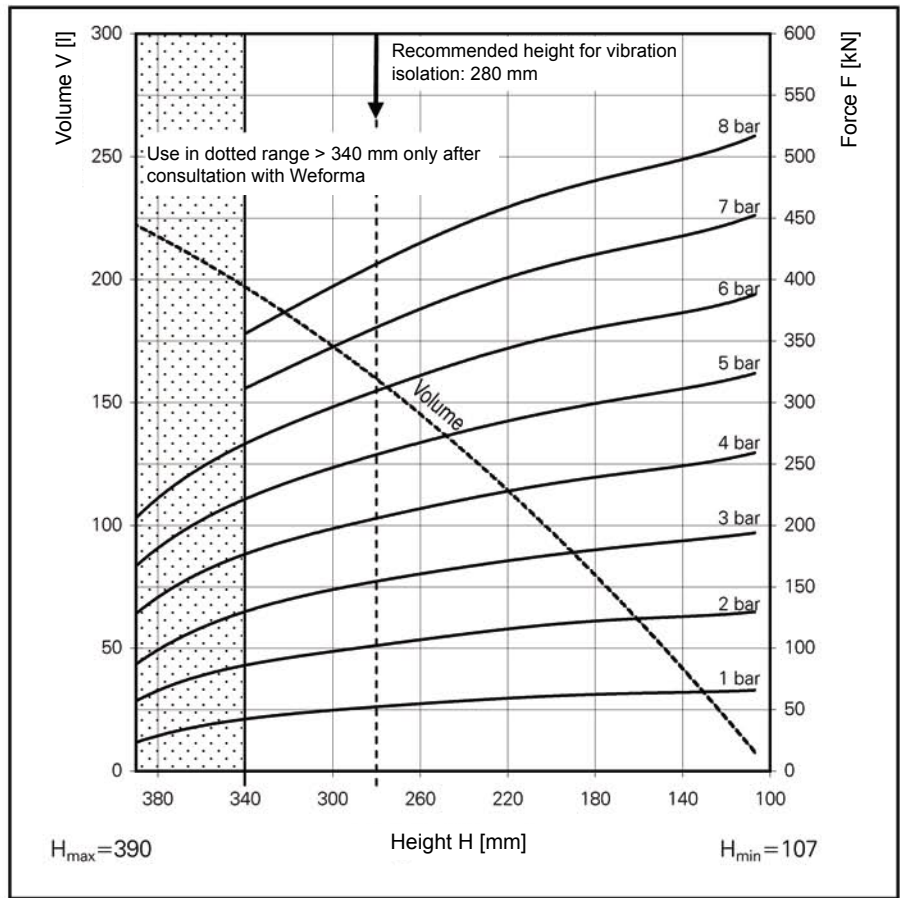
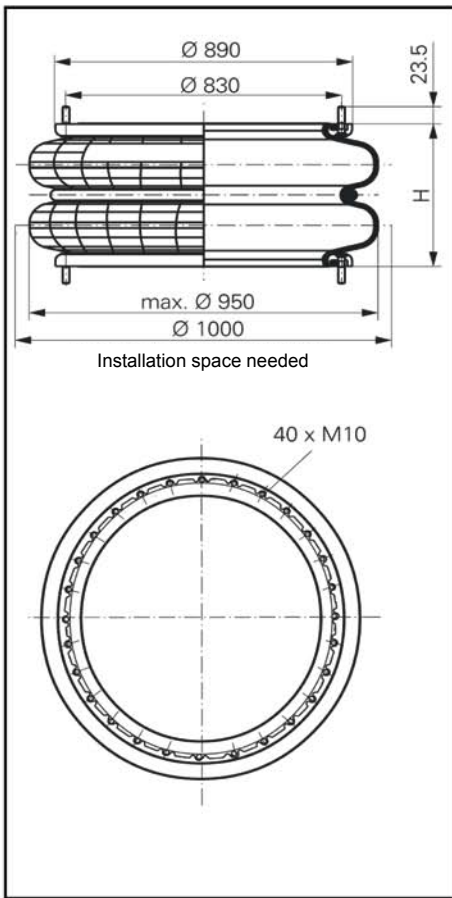
Pressure p [bar]	3	4	5	6	7	8	Vol. [l]	
Height H [mm]	280	80.9	105.0	131.4	155.5	181.8	206.4	84.2
	240	90.9	118.3	147.0	174.5	203.3	232.0	71.9
	200	98.4	128.7	161.0	189.2	220.1	250.9	59.7
	160	104.1	135.3	168.1	199.3	230.6	262.8	46.3
	120	106.9	137.9	172.1	205.2	238.3	271.0	31.8



Service instructions

M 10 = 40 Nm

WBZ-G 1050



Force-height diagramm

Technical data

Min. pressure	0 bar
Return force to min. height	≤ 1556 N
Overall weight with clamped plates	32.9 kg

Vibration isolation - dynamic characteristic values

Design height recommended 280mm, minimum 260mm

Pressure p [bar]	3	4	5	6	7	8	Vol V [l]
Force (Load) [kN]	157.3	204.9	260.8	312.3	363.8	415.3	157.0
Spring rate c [N/cm]	12690	15810	19360	22600	25840	29080	
Natural frequenz f ₀ [Hz]	1.4	1.4	1.4	1.3	1.3	1.3	

Pneumatic application - static characteristic values

Force F [kN]

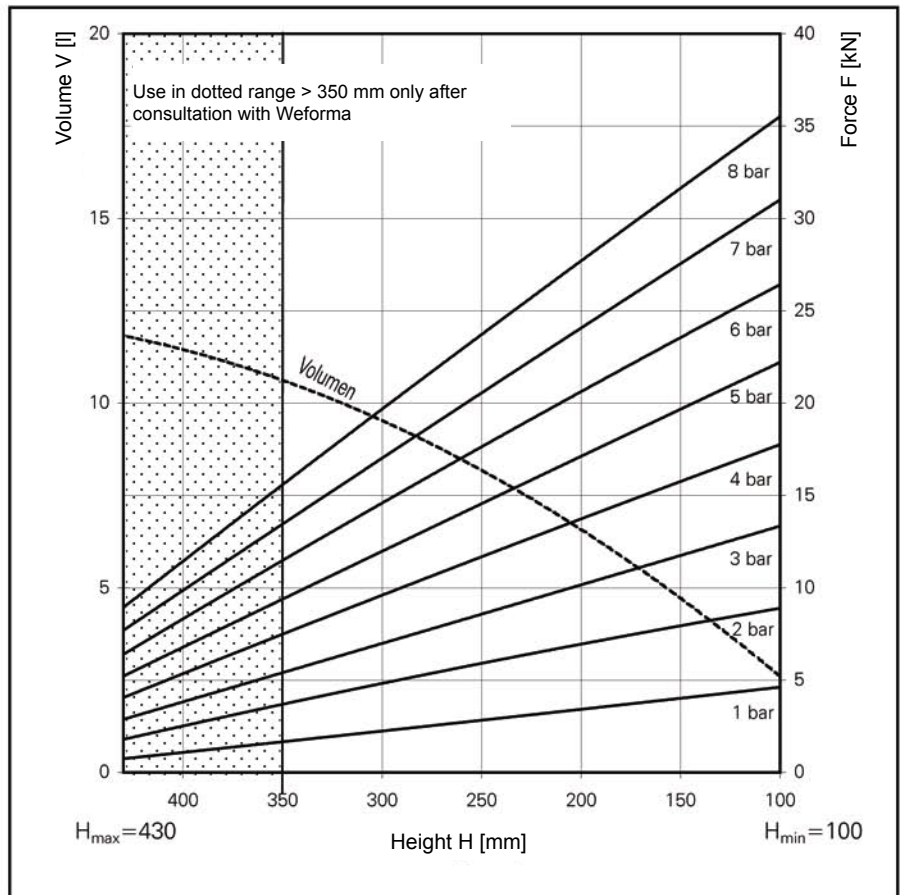
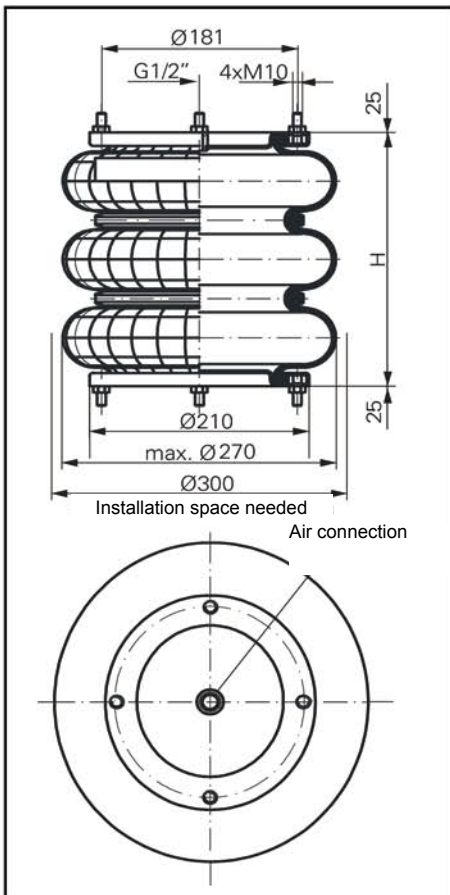
Pressure p [bar]	3	4	5	6	7	8	Vol. (l)	
Height H [mm]	280	154.8	205.6	256.8	308.1	359.4	410.7	157.4
	240	165.9	221.9	277.7	334.8	390.5	446.3	130.0
	200	175.8	233.5	292.2	353.9	412.8	471.8	98.5
	160	184.1	243.5	304.6	365.2	426.0	486.9	62.4
	120	190.9	254.9	319.2	383.0	446.8	510.6	22.3



Service instructions

M 10 = 40 Nm

WBD-G 450



Force-height diagramm

Air connection

WBD-G450

G1/2

Technical data

Min. pressure	0 bar
Return force to min. height	≤ 200 N
Overall weight with clamped plates	5,6 kg

Pneumatic application - static characteristic values

Force F [kN]

Pressure p	[bar]	3	4	5	6	7	8	Vol.[l]
Height H [mm]	350	5,4	7,5	9,5	11,5	13,4	15,5	10,6
	300	7,0	9,6	12,0	14,6	17,0	19,7	9,5
	250	8,5	11,7	14,5	17,6	20,5	23,7	8,2
	200	10,2	13,7	17,1	20,6	24,2	27,8	6,6
	150	11,8	15,7	19,7	23,6	27,5	31,6	4,7

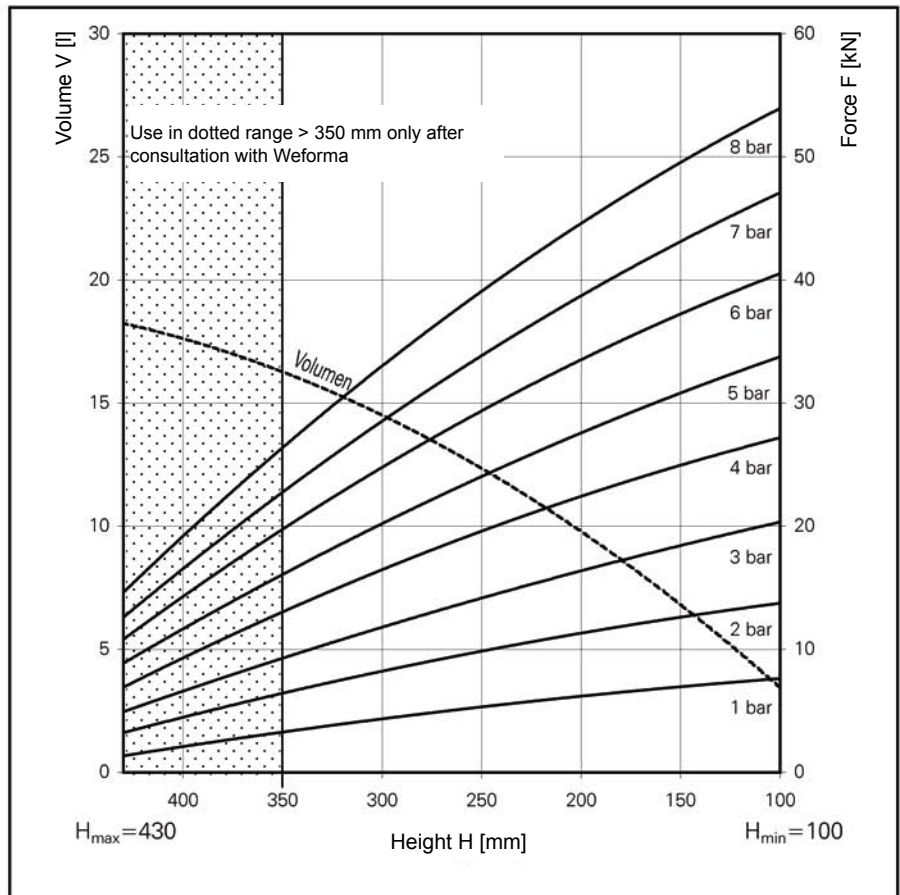
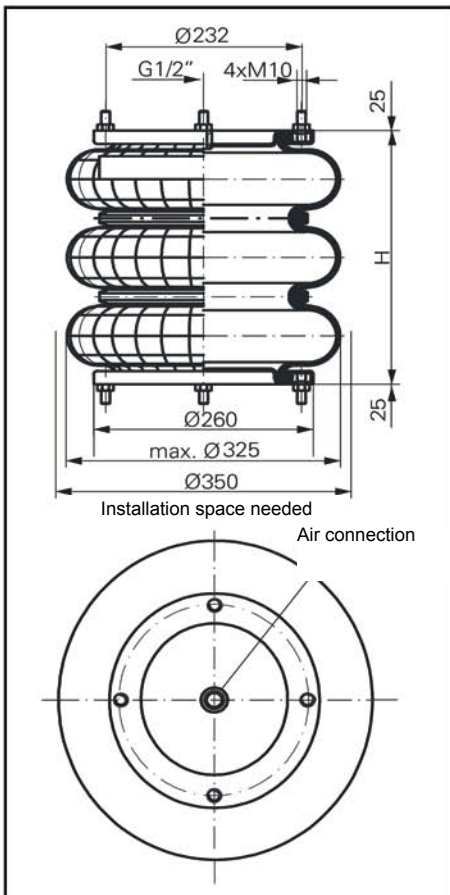


Service instructions

M10 = 25 Nm

G 1/2 = 25 Nm

WBD-G 550



Force-height diagramm

Air connection

WBD-G550

G1/2

Technical data

Min. pressure	0 bar
Return force to min. height	≤ 400 N
Overall weight with clamped plates	8,1 kg

Pneumatic application - static characteristic values

Force F [kN]

Pressure p	[bar]	3	4	5	6	7	8	Vol.[l]
Height H [mm]	350	9,3	13,1	16,0	19,7	22,8	26,3	16,3
	300	11,8	16,4	20,3	24,7	28,4	33,0	14,5
	250	14,2	19,6	24,0	29,3	33,8	39,1	12,4
	200	16,3	22,3	27,5	33,5	38,7	44,5	9,8
	150	18,5	25,0	30,8	37,3	43,3	49,5	6,7

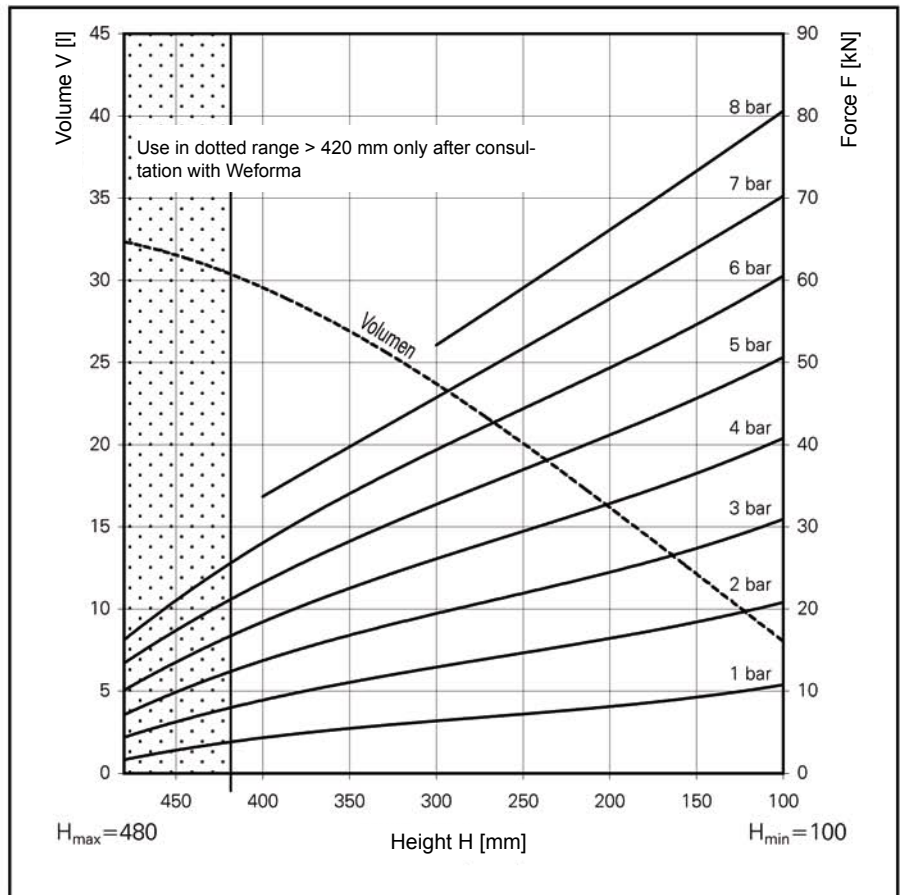
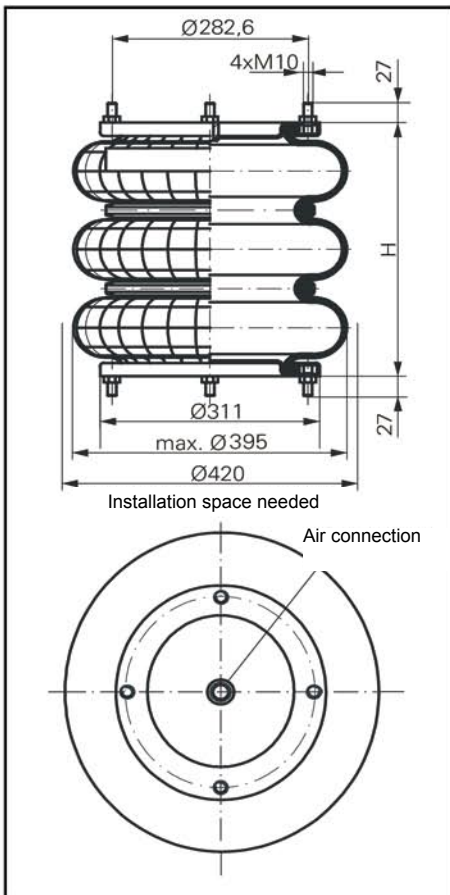


Service instructions

M10 = 25 Nm

G 1/2 = 25 Nm

WBD-G 590



Force-height diagramm

Air connection

WBD-G590

G1/2

Technical data

Min. pressure	0 bar
Return force to min. height	≤ 290 N
Overall weight with clamped plates	11,5 kg

Pneumatic application - static characteristic values

Force F [kN]

Pressure p [bar]	3	4	5	6	7	8	Vol.[l]	
Height H [mm]								
	400	13,8	18,6	23,5	28,4	33,4	-	29,5
	350	17,0	22,8	28,5	34,4	40,4	-	27,0
	300	19,5	26,0	32,6	39,2	45,8	52,4	23,8
	250	21,3	28,8	36,2	43,4	50,8	58,4	20,0
	200	24,8	33,2	41,6	49,8	58,0	66,4	16,2
	150	27,6	36,8	46,0	55,2	64,4	73,6	12,2
	100	30,8	40,6	50,4	60,2	70,0	80,4	8,0

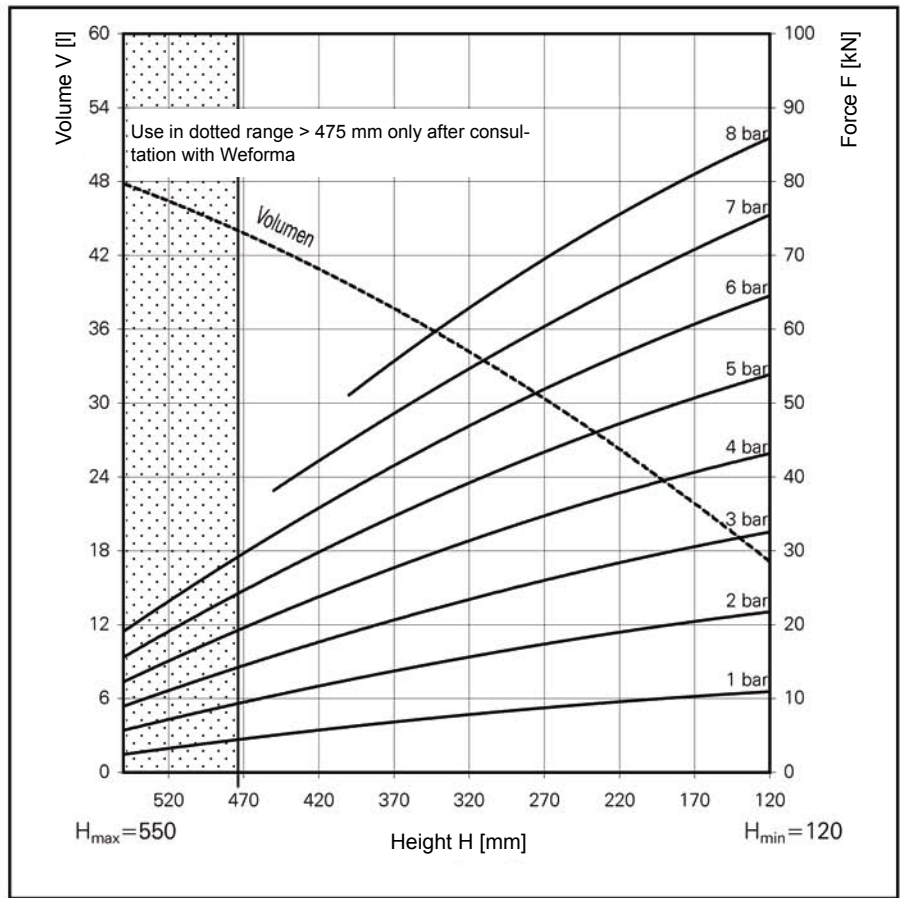
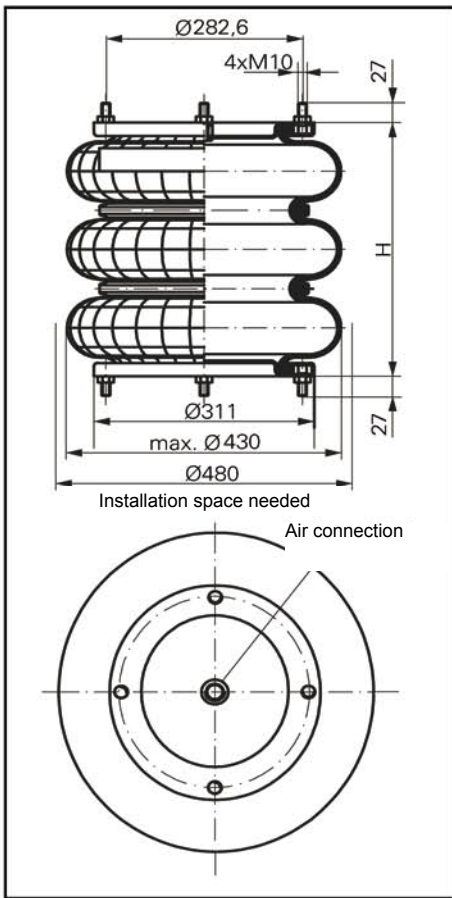


Service instructions

M10 = 25 Nm

G 1/2 = 25 Nm

WBD-G 600



Force-height diagramm

Air connection

WBD-G600

G1/2

Technical data

Min. pressure	0 bar
Return force to min. height	≤ 100 N
Overall weight with clamped plates	13 kg

Pneumatic application - static characteristic values

Force F [kN]

Pressure p	[bar]	3	4	5	6	7	8	Vol.[l]
Height H [mm]	450	16,2	21,6	27,1	33,0	38,4	44,2	43,2
	400	19,1	25,4	31,8	38,3	44,8	51,4	40,2
	350	21,4	29,0	36,1	43,3	50,7	58,1	36,2
	300	23,9	32,4	40,8	48,5	56,4	65,4	32,2
	250	27,1	36,0	45,0	53,6	63,1	72,4	28,7
	200	29,7	39,2	48,7	58,4	68,2	77,9	24,1
	150	31,3	41,6	51,9	62,5	73,0	83,0	19,9

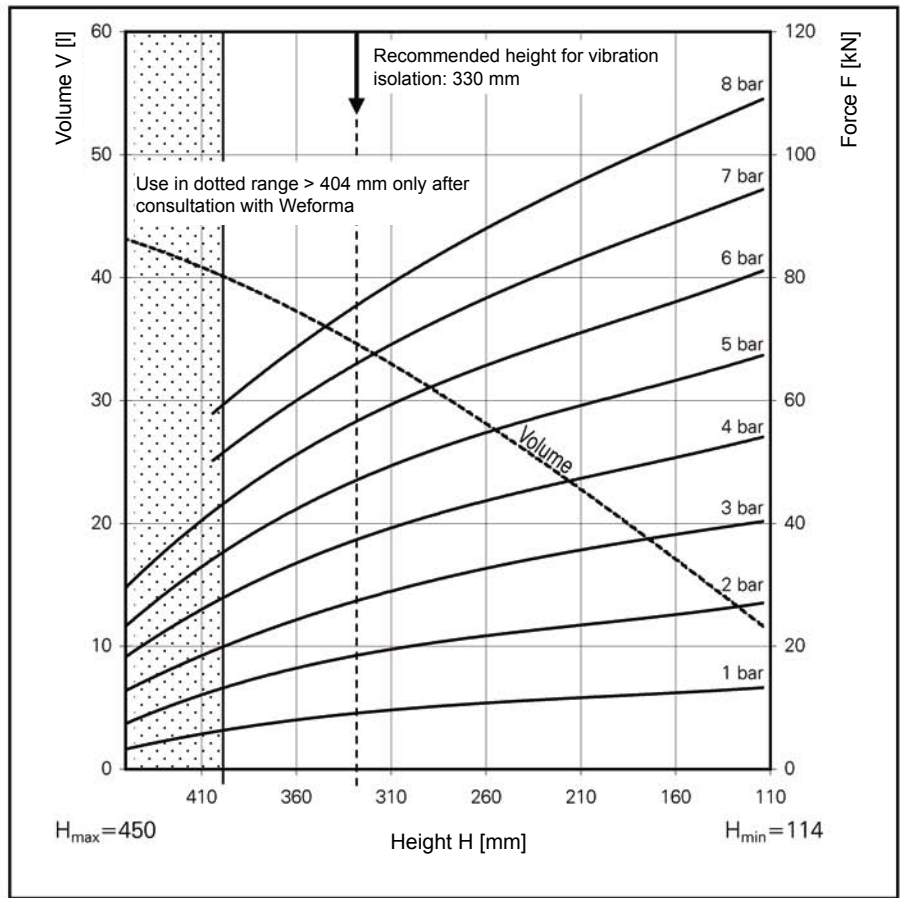
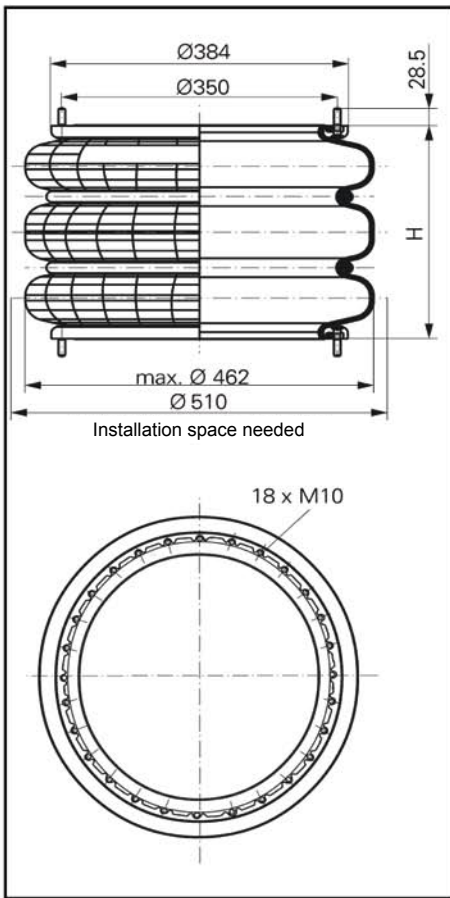


Service instructions

M10 = 25 Nm

G 1/2 = 25 Nm

WBD-G 650



Force-height diagramm

Technical data

Min. pressure	0 bar
Return force to min. height	≤ 600 N
Overall weight with clamped plates	9.3 kg

Vibration isolation - dynamic characteristic values


Design height recommended 330mm, minimum 315mm

Pressure p [bar]	3	4	5	6	7	8	Vol V [l]
Force (Load) [kN]	27.9	38.0	46.6	56.8	66.3	73.9	35.0
Spring rate c [N/cm]	2180	2810	3300	4010	4640	5130	
Natural frequenz f ₀ [Hz]	1.4	1.4	1.3	1.3	1.3	1.3	

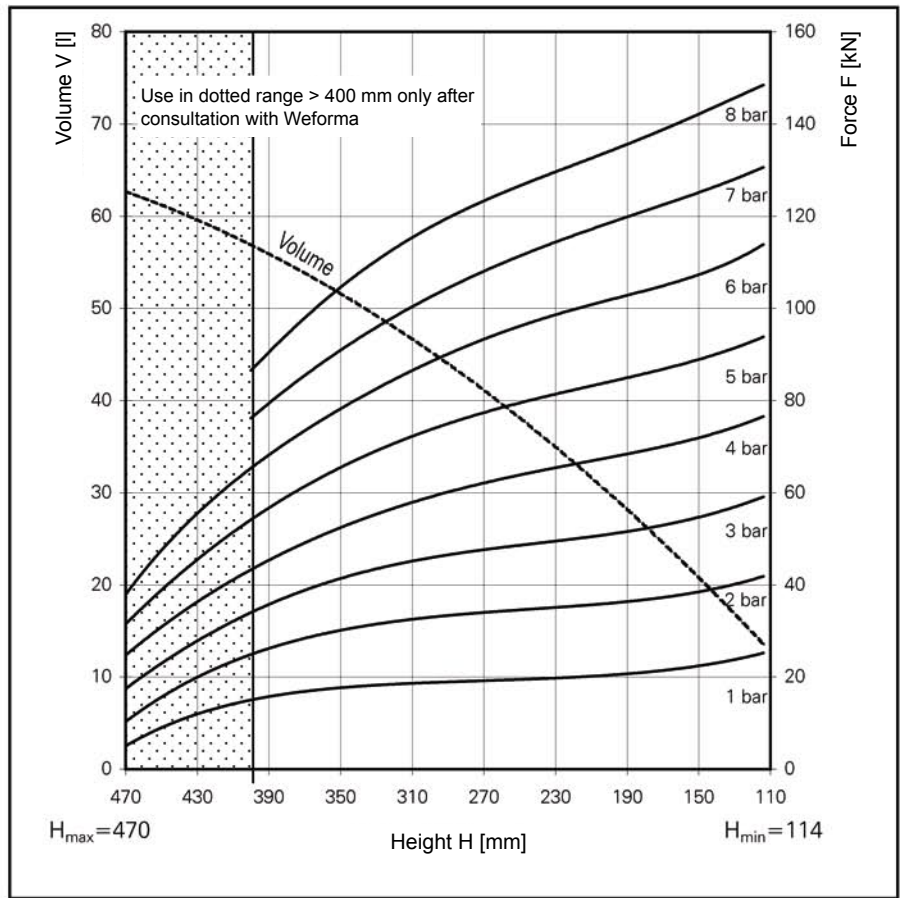
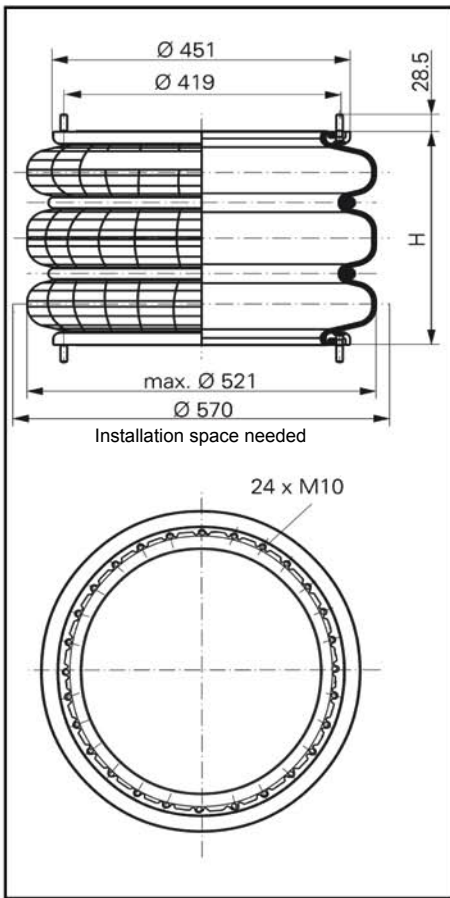
Pneumatic application - static characteristic values

Force F [kN]

Pressure p [bar]	3	4	5	6	7	8	Vol.[l]
Height H [mm]	404	27.3	34.4	42.1	50.3	58.0	40.25
	360	24.2	33.6	42.1	51.0	59.8	37.2
	320	28.3	38.0	48.3	57.9	67.3	34.0
	280	31.3	42.0	52.6	63.3	74.0	30.3
	240	33.9	45.1	56.7	68.1	79.6	26.1
	200	36.0	47.8	59.8	71.8	83.9	21.5
	160	38.4	51.3	63.5	76.2	89.1	17.0

 Service instructions
M 10 = 40 Nm

WBD-G 750



Force-height diagramm

Technical data

Min. pressure	0 bar
Return force to min. height	≤ 311 N
Overall weight with clamped plates	12.5 kg

Pneumatic application - static characteristic values

Force F [kN]

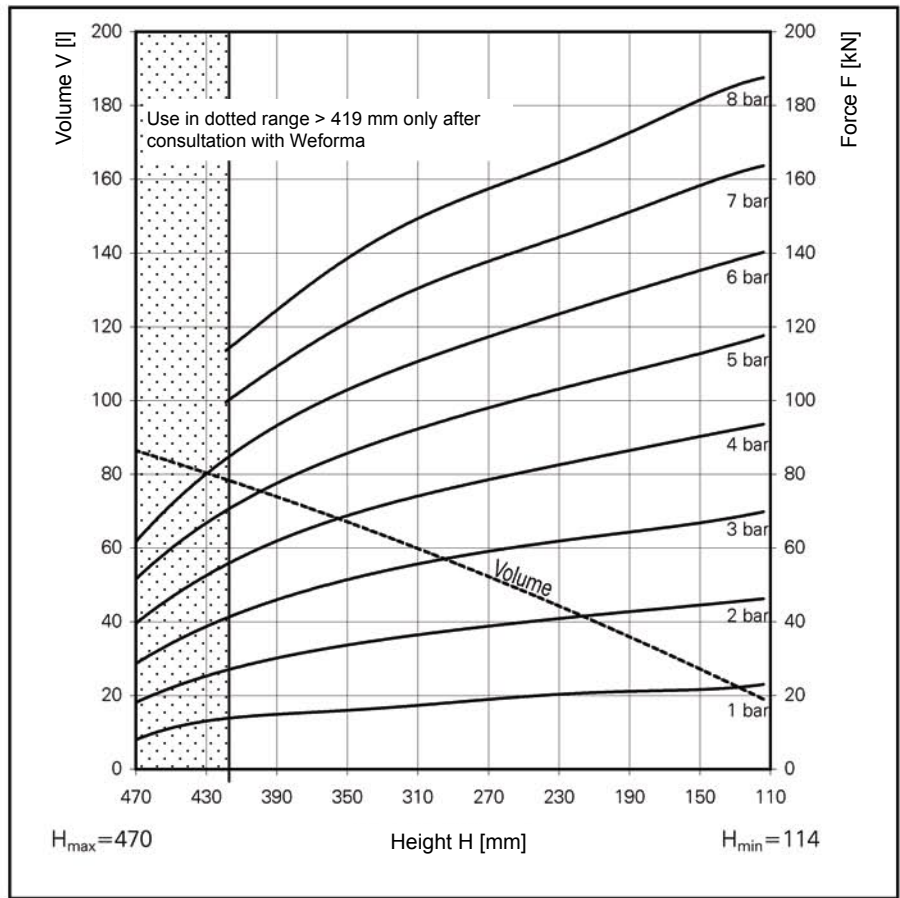
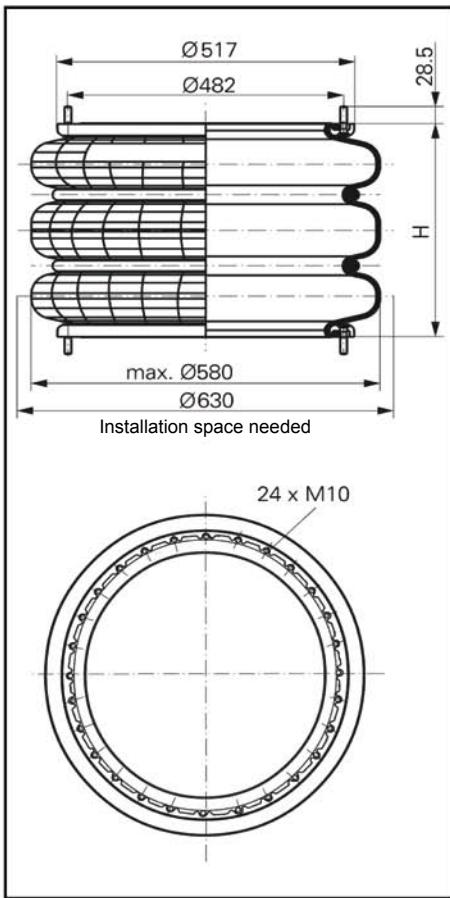
Pressure p [bar]	3	4	5	6	7	8	Vol. (l)	
Height H [mm]	390	35.8	45.5	56.4	68.5	79.7	90.8	55.3
	350	41.3	52.7	65.6	77.8	90.5	104.6	51.4
	310	45.2	58.0	72.5	86.6	100.3	115.6	46.9
	270	47.3	62.2	77.5	93.5	108.0	123.4	41.7
	230	49.7	65.6	81.3	98.5	114.4	129.7	35.4
	190	51.7	68.1	84.5	102.8	119.8	135.3	28.5
	150	54.5	72.1	89.5	107.4	125.2	142.5	20.7



Service instructions

M 10 = 40 Nm

WBD-G 850



Force-height diagramm

Technical data

Min. pressure	0 bar
Return force to min. height	≤ 400 N
Overall weight with clamped plates	14.5 kg

Pneumatic application - static characteristic values

Force F [kN]

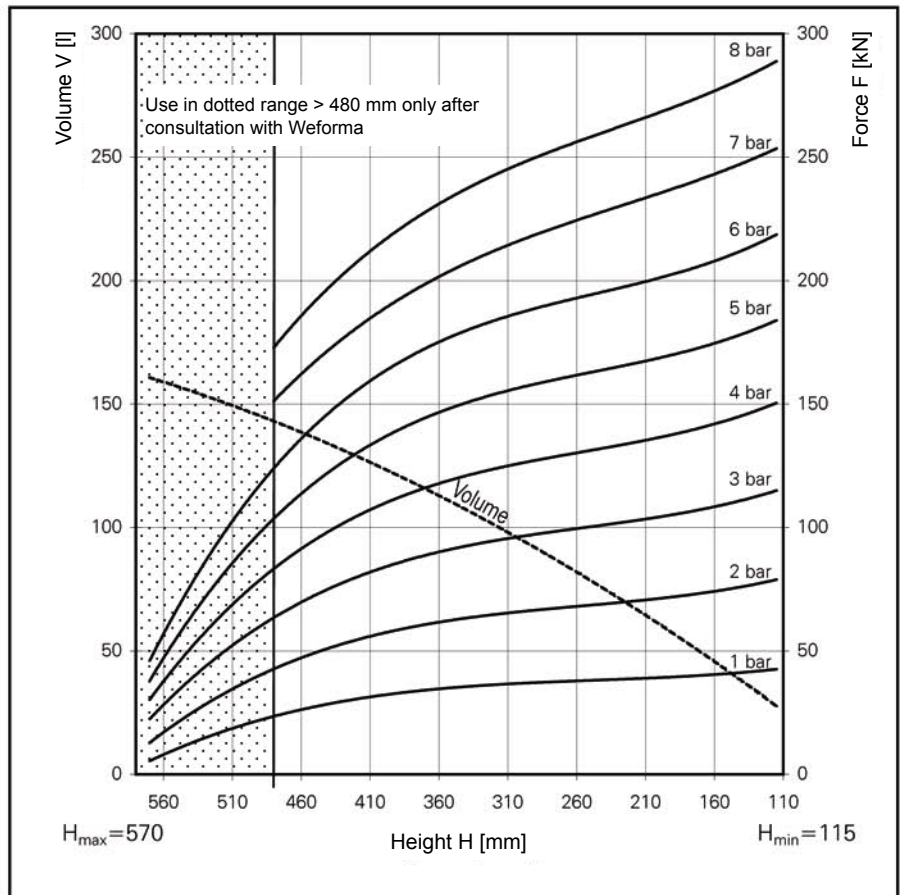
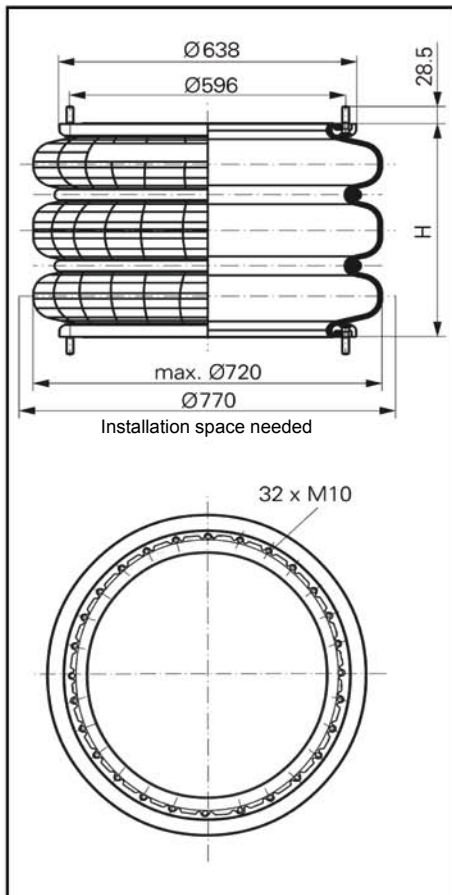
Pressure p [bar]	3	4	5	6	7	8	Vol. (l)
Height H [mm]	390	45.3	61.8	77.3	93.3	110.0	74.0
	350	51.3	68.9	85.3	103.0	121.0	67.0
	310	56.5	74.0	92.3	111.0	130.0	60.0
	270	59.8	78.7	98.1	118.0	138.0	52.0
	230	61.1	82.6	103.0	123.0	144.0	44.0
	190	63.9	86.2	108.0	129.0	151.0	36.0
	150	67.5	90.4	113.0	135.0	159.0	27.0



Service instructions

M 10 = 40 Nm

WBD-G 950



Force-height diagramm

Technical data

Min. pressure	0 bar
Return force to min. height	≤ 800 N
Overall weight with clamped plates	17.0 kg

Pneumatic application - static characteristic values

Force F [kN]

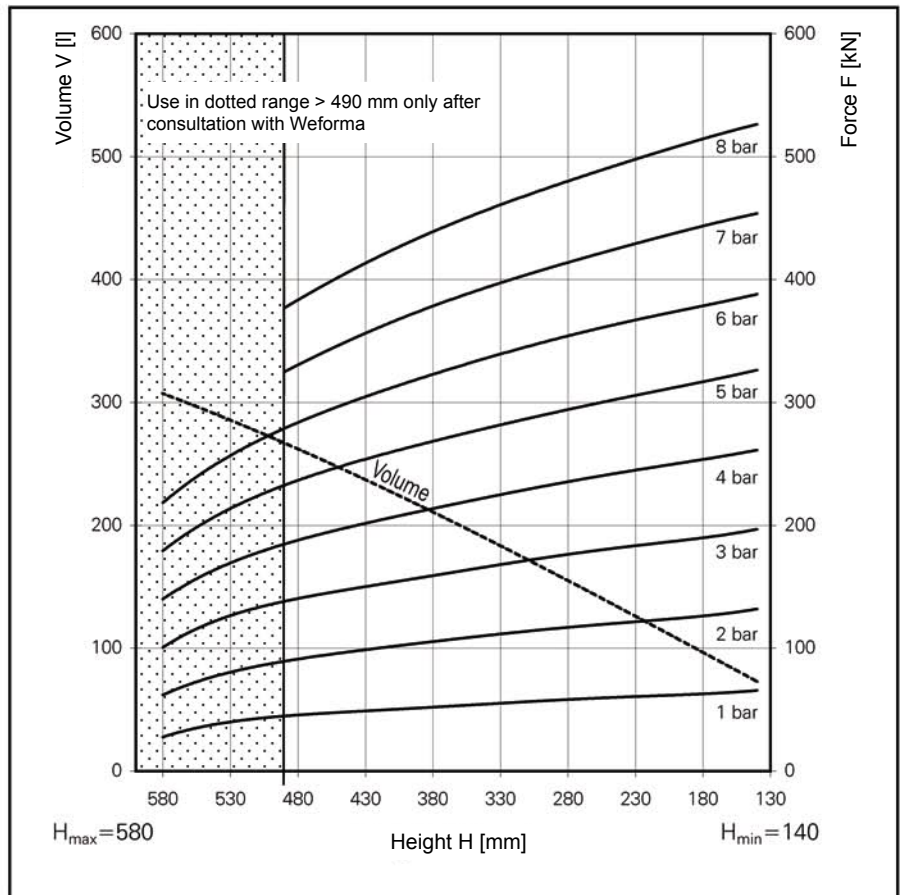
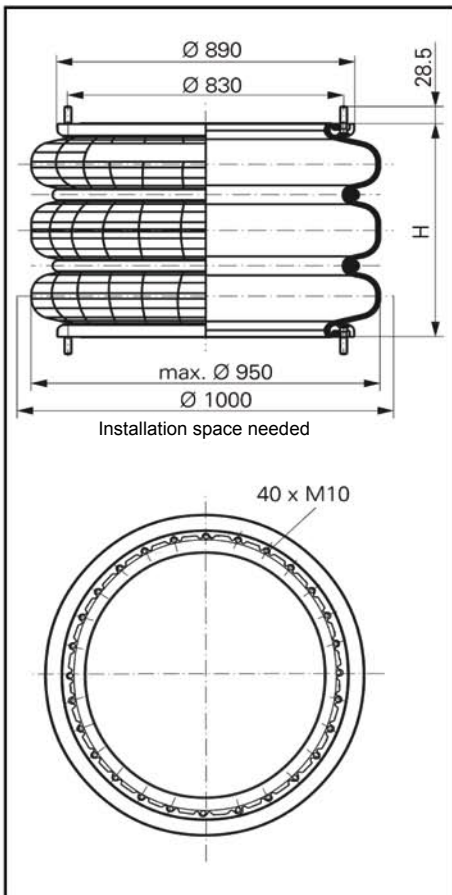
Pressure p	[bar]	3	4	5	6	7	8	Vol.[l]
Height H [mm]	480	65.5	85.0	106.0	126.0	151.0	173.0	145.0
	400	83.0	109.0	135.0	162.0	189.0	216.0	125.0
	320	95.0	123.0	153.0	183.0	213.0	243.0	102.0
	240	101.0	133.0	164.0	196.0	227.0	261.0	73.0
	160	110.0	142.0	177.0	210.0	244.0	277.0	41.0



Service instructions

M10 = 40 Nm

WBD-G 1050



Force-height diagramm

Technical data

Min. pressure	0 bar
Return force to min. height	≤ 1690 N
Overall weight with clamped plates	44.0 kg

Pneumatic application - static characteristic values

Force F [kN]

Pressure p [bar]	3	4	5	6	7	8	Vol. (l)	
Height H [mm]	440	148.0	198.4	249.9	300.2	351.2	407.4	243.5
	400	155.5	209.2	263.7	316.5	370.3	429.6	221.0
	360	163.0	218.8	274.2	330.1	386.2	448.0	199.1
	320	170.0	227.1	284.6	342.5	400.7	464.8	176.9
	280	176.1	235.0	293.1	353.7	413.8	480.0	155.1
	240	181.9	243.2	303.6	364.0	425.9	494.0	132.4
	200	187.3	250.0	312.6	375.0	438.8	509.0	109.8
	160	193.2	257.7	321.8	382.9	448.0	519.7	85.1



Service instructions

M 10 = 40 Nm