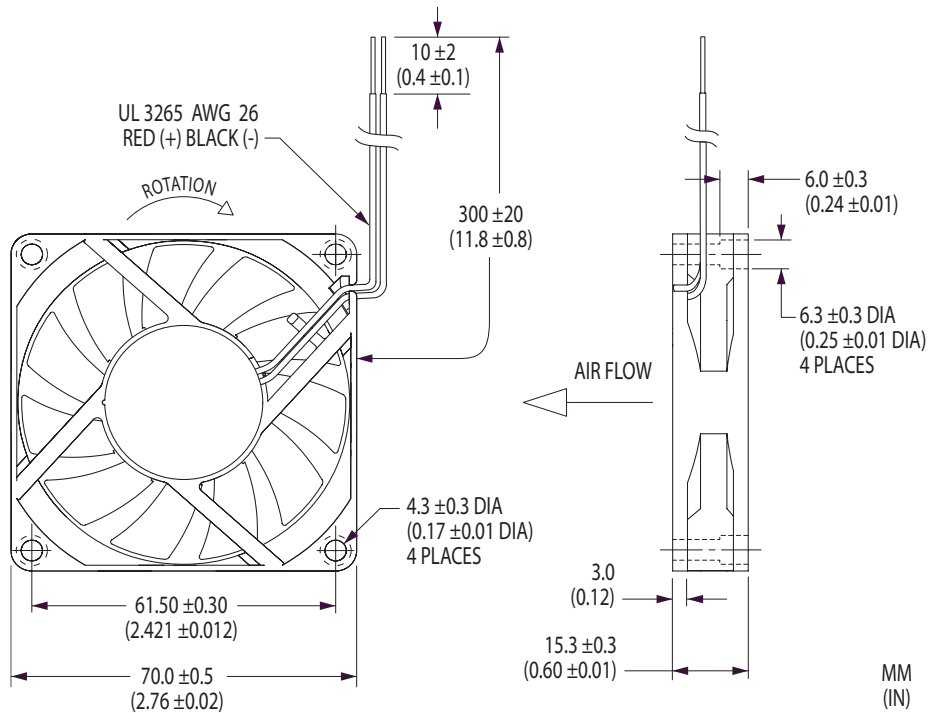


70x15mm



U70R Series

- ✓ Durable, Magnetically Stabilized NBRX Sleeve-Bearing Design
- ✓ Current-Limit Protection
- ✓ Open-Collector Tachometer or Locked Rotor Alarm
- ✓ Plastic Housing and Impeller Rated V-0



Tube Axial Cooling Fans

Model	Air Flow (CFM)	Max. Static Pressure (inwg)	Operating Voltage Nominal (V)	Operating Voltage Range (V)	Operating Current (A)	Input Power (W)	Fan Speed (rpm)	Sound Pressure (dBA)	Operating Temp. Min. (°C)	Operating Temp. Max. (°C)	L10 Life† (hours)
U70R12MS1CB-51	33	0.20	12	7.0-13.8	0.28	3.4	4300	39	-10	+70	30,000
U70R12MHCB-51	30	0.17	12	7.0-13.8	0.21	2.5	4000	37	-10	+70	30,000
U70R12MMCB-51	22	0.10	12	7.0-13.8	0.12	1.4	3000	29	-10	+70	30,000

Air flow, current, speed and sound pressure ratings are at nominal operating voltage and zero static pressure. Current and power ratings are average expected values under those conditions. † L10 bearing life expectancy at T_A = +40°C. © UltraFlo is a registered trademark of Nidec Corporation.

