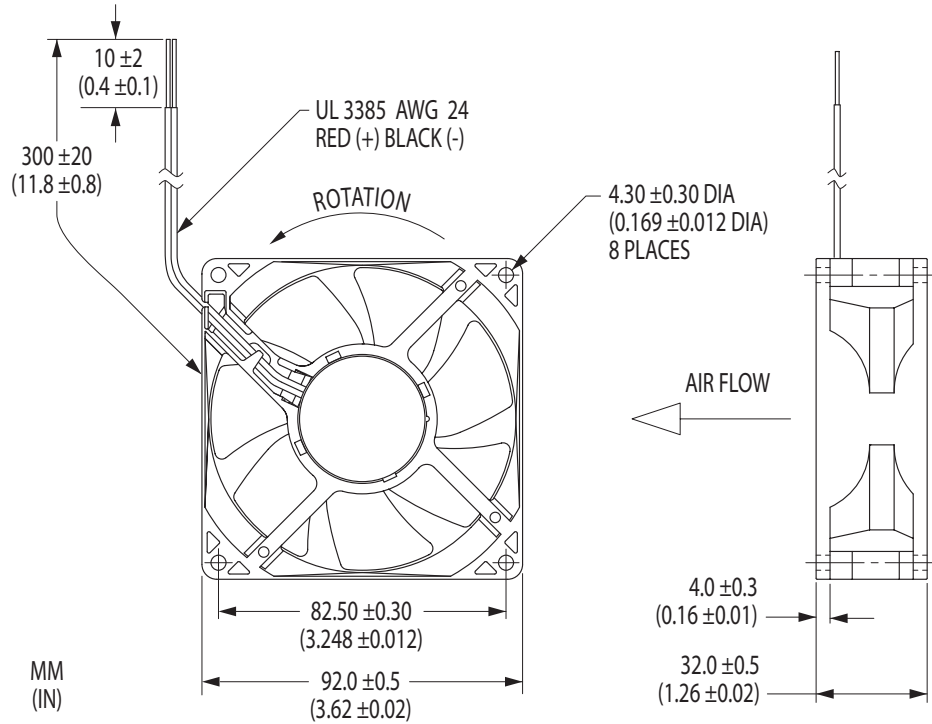


UltraFlo™



T92C Series

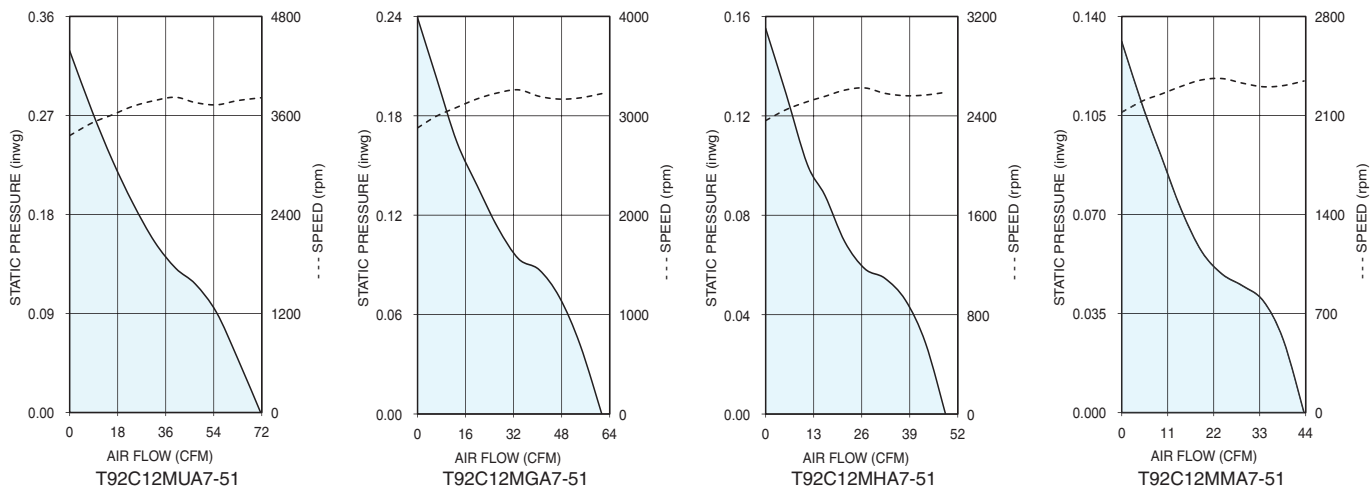
- ✓ Air Flow to 70 CFM
- ✓ Static Pressure to 0.3 inwg
- ✓ Wide Variety of Monitor and Speed Control Options
- ✓ Durable, Magnetically Stabilized NBRX Sleeve Bearing Design



92 x 32mm Tube Axial Cooling Fans

Model	Air Flow (CFM)	Max. Static Pressure (inwg)	Operating Voltage		Operating Current (A)	Input Power (W)	Fan Speed (rpm)	Fan Sound Pressure (dBA)	Operating Temp.		L10 Life† (hours)
			Nominal (V)	Range (V)					Min. (°C)	Max. (°C)	
T92C12MUA7-51	70	0.31	12	7.0-13.8	0.55	6.60	3,600	48.0	-10	+70	50,000
T92C12MGA7-51	60	0.23	12	7.0-13.8	0.31	3.72	3,200	43.5	-10	+70	—
T92C12MHA7-51	47	0.14	12	7.0-13.8	0.20	2.40	2,600	38.1	-10	+70	—
T92C12MMA7-51	42	0.12	12	7.0-13.8	0.17	2.04	2,300	35.0	-10	+70	—

Air flow, current, speed and sound pressure ratings are at nominal operating voltage and zero static pressure. Current and power ratings are average expected values under those conditions. † L10 bearing life expectancy at $T_A = +40^\circ\text{C}$.™ UltraFlo is a brand trademark of Nidec Corporation. N/BAAH



All for dreams

Nidec America Corporation · phone 781-848-0970 · email fans@nidec.com · www.nidec.com