

Digital Inverter

Synthesis



BONFIGLIOLI

Synthesis Inverter

Bonfiglioli: Specific Solutions for Power Control and Transmission

Inverter		
	Standard specifications	2
	Functional specifications	3
	Sample model identification	3
	Parameter list	4
	Braking resistor selection	5
	Electrical features	5
	Dimension & location of terminal block	6
Bonfiglioli Worldwide		8




Bonfiglioli: Specific Solutions for Power Transmission and Motion Control

Product diversification, process automation, and quality have enabled Bonfiglioli to play a leading role in the industry. Bonfiglioli's policy focuses on integrated solutions, competence and innovative technology as key factors, indispensable to ensure customer satisfaction, while production is aimed at achieving the highest standards.

Bonfiglioli product portfolio aims at meeting the toughest and most sophisticated requirement for Industrial Process and Automation Solution and for Mobile Equipment Solutions.



Such market areas are covered through the following Product Lines:

 **BONFIGLIOLI RIDUTTORI** representing Helical, Bevel and Worm Gearmotors and Gear Units

 **BONFIGLIOLI TRASMITAL** representing Planetary Gearmotors and Gear Units

 **BONFIGLIOLI VECTRON** representing AC drives

2 Synthesis

Inverter



Synthesis combines the best features of price effectiveness, compactness and versatility currently available on stand alone inverters. Easy to install and program, in a limited number of parameters it features the most important functions required from this type of AC drive.

Especially suitable for APPLICATIONS such as CONVEYOR BELTS, PUMPS, SCREW CONVEYORS, MIXERS, STIRRERS, it is also available in the IP65 (NEMA 4) version for installation off the cabinet and on board the machine.

Synthesis drives are available with ratings up to 2.2 kW. Power supplies are either single phase 220 V or three phase 400 V. As standard, the drive come complete with built-in class A EMI filter and meets all major world standards.



Model SYN10	S220 01 AF	S220 03 AF	S220 05 AF	S220 07 AF	S220 09 AF
Suitable Motor Power Rating (kW)	0.2	0.4	0.75	1.5	2.2
Rated	Output Current (A) ¹	1.4	2.3	4.2	7.5
	Capacity (kVA)	0.53	0.88	1.6	2.9
Input Voltage Max.	Single phase 200V - 240V, 50/60 Hz				
Allowable versions	Voltage +10%, -15%, frequency +/-5%				
Output Voltage Max. ²	Three phase 200V - 240V				
EMC Specification	Class A (Single Phase Filter built in)				
Available versions	IP20, IP65 S				

Model SYN10	T400 05 AF	T400 07 AF	T400 09 AF
Suitable Motor Power Rating (kW)	0.75	1.5	2.2
Rated	Output Current (A) ¹	2.3	3.8
	Capacity (kVA)	1.7	2.9
Input Voltage Max.	Three phase 380V-460V, 50/60Hz		
Allowable versions	Voltage +10%, -15%, frequency +/-5%		
Output Voltage Max. ²	Three phase 380V - 460V		
EMC Specification	Classe A (Three Phase Filter built in)		
Available versions	IP20, IP65 S		

Note¹: Rated output current value when the PWM carried frequency (parameter F12=5) is 8 kHz or less.

Note²: Maximum output voltage is the same as the input voltage.

Functional specifications

Item	Specifications
Input signal type	PNP type (SOURCE) input (External 24VDC Input is allowed)
Control method	Sinusoidal wave PWM control
Frequency range	1~200 Hz
Resolution setting	Digital: 0.1 Hz (1 ~ 99.9 Hz); 1 Hz (100 ~ 200 Hz)
Frequency Control	Analog: 1Hz/ 60 Hz
Keyboard setting	Directly setup by ▲ and ▼ buttons
External signal setting	0~10 V, 4 ~ 20 mA, 0 ~ 20 mA
Other function	Frequency upper and lower limit
Carrier frequency	4~16 kHz
Accelerate / Decelerate time	0.1~ 999 Sec
V/f Pattern	6 patterns
Torque control	Torque boost level adjustable (manual torque boost)
Multi-Functional input	2 point, to be used as multi-speed 1 (Sp.1) / multi-speed 2 (Sp.2) / Jog / External quickstop / External bb / Reset
Multi-Functional output	1a Relay terminal, to be setup as Fault / Running / Frequency
Braking Torque	S220 01 03 and 05: about 20% S220 07, 09 and T400: 20%~100% built-in braking transistor
Other function	Decelerate or free run stop, Auto reset, DC braking frequency / Voltage / Time can be setup by constants
Display	Three digital LED display frequency / inverter parameter / fault record / program version
Operating temperature	-10 ~ +40°C (with cover removed: -10°C ~ +50°C)
Humidity	0~95% RH non - condensing
Vibration	Under 1 G (9.8 m/s ²)
EMC specification	EN50081-1, EN50081-2, EN50082-2, EN50178, EN61800-3+A11
UL	UL508C
Overload protection	150% for 1 min.
Over voltage	DC voltage > 410V (200 series); > 800V (400 series)
Under voltage	DC voltage < 200V(200 series); < 400V(400 series)
Momentary	0 ~ 2 sec: the inverter can be restarted u sign speed search feature
Power-loss	
Stall prevention	During Acceleration / Deceleration / Constant speed
Output short-circuit	Electronic circuitry protection
Grounding fault	Electronic circuitry protection
Other function	Heat sink overheat protection, current limit
Installation	Mounting screw or DIN rail (Option)
Brake unit	Built-in for models S220 07-09 and T400 05-07-09

Sample Model Identification

SYN10	S	220	05	AF	IP65	S
	Input phases	Input voltage	Size / Power	EMC Filter	Protection degree	Switch
Series	S = single phase T = three phases	220 = 220V 400 = 400V	01 = 0.2 kW 03 = 0.4 kW 05 = 0.75 kW 07 = 1.5 kW 09 = 2.2 kW	AF = integrated class "A" filter	_ = IP20 IP65 = IP65	_ = no switch S = integrated switch (only for IP65)

Parameter list

Function	F_	Function description	Unit	Range	Factory setting
	00	Factory Adjustment			0
Acceleration	01	Acceleration time	0.1 sec	0.1 ~ 999 s	5.0
	02	Deceleration time	0.1 sec	0.1 ~ 999 s	5.0
Operation mode	03	0: Forward/Stop, Reverse/Stop 1: Run/Stop, Forward/Reverse	1	0 ~ 1	0
	04	0: Forward 1: Reverse	1	0 ~ 1	0
V/f pattern	05	V/f pattern setting	1	1 ~ 6	1/4
Frequency upper/lower limit	06	Frequency upper limit	0.1 Hz	1.0 ~ 200 Hz	50/60 Hz
	07	Frequency lower limit	0.1 Hz	0.0 ~ 200 Hz	0.0 Hz
SP1 frequency	08	SP1 frequency	0.1 Hz	1.0 ~ 200 Hz	10 Hz
JOG frequency	09	JOG frequency	0.1 Hz	1.0 ~ 200 Hz	6 Hz
Start / Stop control	10	0: Keypad 1: Terminal (TM2)	1	0 ~ 1	0
	11	0: Keypad 1: Terminal (0~10v / 0~20mA) 2: Terminal (4~20mA)	1	0 ~ 2	0
Carrier frequency control	12	Carrier frequency control	1	1 ~ 10	5
Torque compensation	13	Torque compensation gain	0.1%	0.0 ~ 10.0%	0.0%
Stop method	14	0: controlled deceleration stop 1: free run stop	1	0 ~ 1	0
	15	DC braking time	0.1 s	0.0 ~ 25.5 s	0.5 s
DC braking setting	16	DC braking injection frequency	0.1 Hz	1 ~ 10 Hz	1.5 Hz
	17	DC braking level	0.1%	0.0 ~ 20.0%	8.0%
Electric thermal Overload protection	18	Protection base on motor rated current	1%	0 ~ 200%	100%
Multifunction input connection point	19	Multifunction input terminal 1 (SP1) function	1: Jog 2: SP1		2
	20	Multifunction input terminal 2 (RESET) function	3: Quick stop 4: External Base Block 5: Reset 6: SP2		5
Multi-function output	21	Multifunction output terminal	1: Operating 2: Reached frequency 3: Fault		3
Reverse Lock-Out	22	0: REV run 1: REV run Lock-Out	1	0 ~ 1	0
	23	0: enabled 1: disable	1	0 ~ 1	0
Auto restart	24	Number of Auto-restart times	1	0 ~ 5	0
Factory setting	25	010: Constants initialization to 50 Hz system 020: Constants initialization to 60 Hz system			
	26	SP2 frequency	0.1 Hz	1.0~200 Hz	20
SP3 frequency	27	SP3 frequency	0.1 Hz	1.0~200 Hz	30
Direct start	28	0: enable 1: disable	1	0 ~ 1	1
	29	Software version			
Fault Log	30	Fault log for three faults			

Braking resistor selection

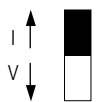

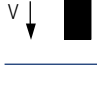
Inverter model	Braking module	Braking resistor	Minimum resistance
SYN10 S 220 01 AF	–	–	–
SYN10 S 220 03 AF	–	–	–
SYN10 S 220 05 AF	–	–	–
SYN10 S 220 07 AF	built-in	Contact your local branch/dealer	100Ω
SYN10 S 220 09 AF	built-in	Contact your local branch/dealer	100Ω
SYN10 T 400 05 AF	built-in	Contact your local branch/dealer	300Ω
SYN10 T 400 07 AF	built-in	Contact your local branch/dealer	100Ω
SYN10 T 400 09 AF	built-in	Contact your local branch/dealer	150Ω

Note: braking torque without resistor is about 20% of motor rated torque

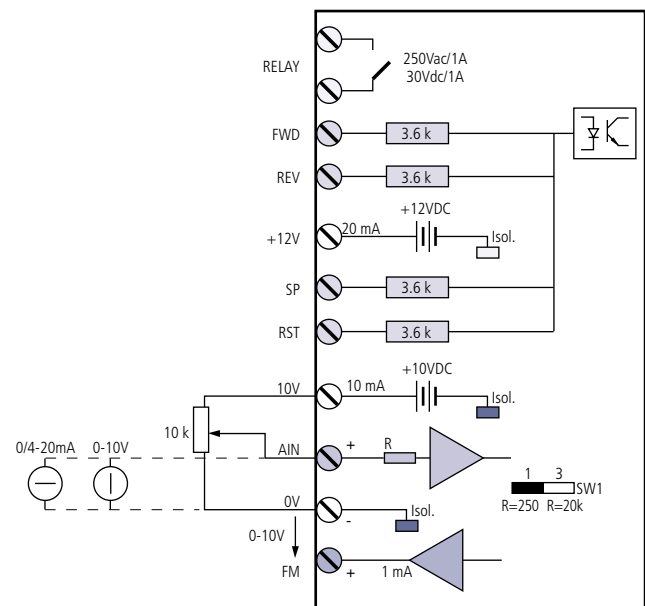
Control circuitry terminal block electric features

Terminal number	Terminal name	Default function	Electrical features	Parameter
1	Trip	Relay output	250VAC/1A 30VDC/1A	F_21
2	Relay			
3	FWD	Forward run	12/24VDC, 4.5mA, 3.6kΩ	F_3
4	REV	Reverse run		F_10
5	DC12V	Output power supply +12VDC	12VDC, 20mA	–
6	SP1	Multifunction digital input	12/24VDC, 4.5mA, 3.6kΩ	F_19
7	RST			F_20
8	DC10V	Output power supply +10VDC	10VDC, 10mA	–
9	V/I in	Analog input (+)	DC 0~10V 20kΩ	F_6
		Voltage/Current	DC 0~20/4~20mA 250Ω	F_7
		(Potentiometer 10kΩ)	10 bits resolution	F_11
10	0V	Common analog (-)	0V	–
11	FM+	Analog output (+)	DC 0~10V, 1mA	F_6
				F_7

SW1 function description

SWITCH 1	External signal type
	1 0~20mA analog signal (when F_11 is set to 1)
	2 4~20mA analog signal (when F_11 is set to 2)
	3 0~10 VDC analog signal (when F_11 is set to 1) (default)

Precautions: for safety reasons, read carefully the “Operations Manual”, in particular those paragraphs marked with “Warning” or “Caution” symbols, before installing and operating the inverter.
For further information, please contact our technical service or the nearest Bonfiglioli dealer.
The information in this catalogue is subject to change without notice.



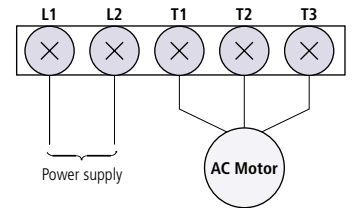
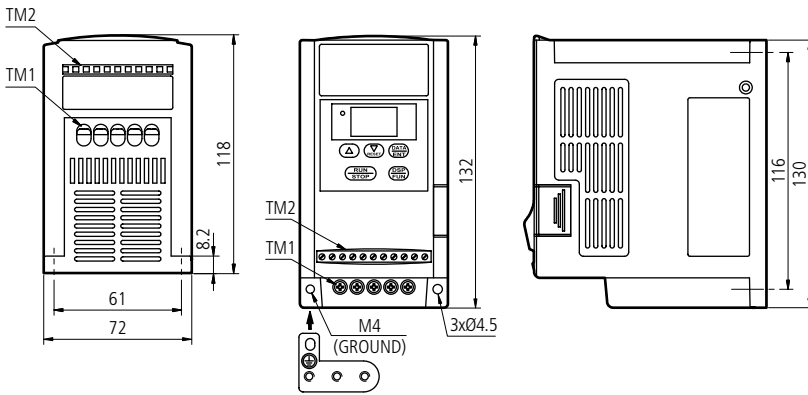
6 Synthesis

Inverter

Dimension & location of terminal block

SYN10 S 220 01/03/05

SYN10 case A



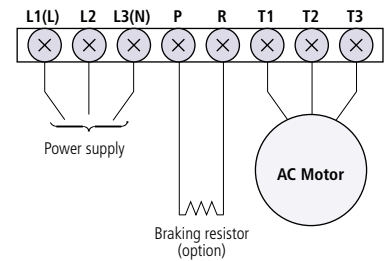
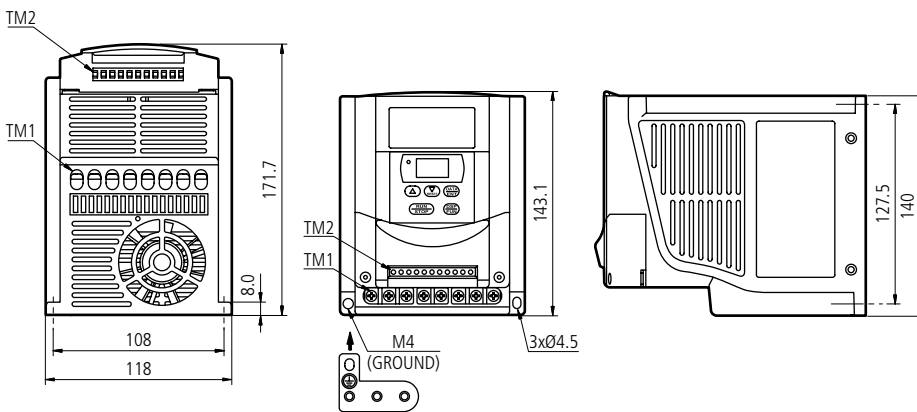
Type	Weight (kg)
SYN10 S 220 01 AF	0.86
SYN10 S 220 03 AF	0.87
SYN10 S 220 05 AF	0.91

Mains supply:

SYN10 S 220 01/03/05: 1 ph 200-240V 50/60Hz

SYN10 S 220 07/09 SYN10 T 400 05/07/09

SYN10 case B



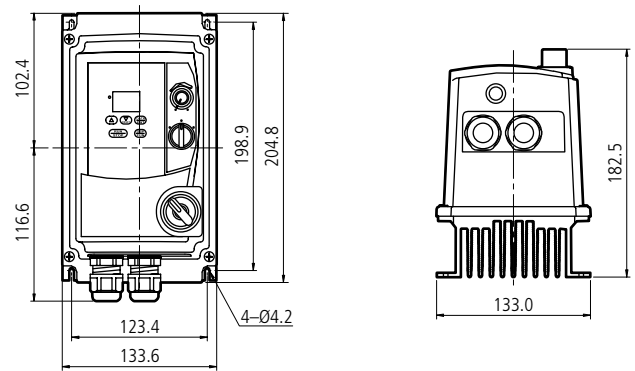
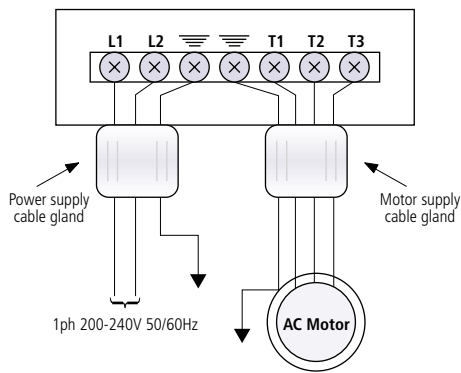
Type	Weight (kg)
SYN10 S 220 07 AF	2.1
SYN10 S 220 09 AF	2.2
SYN10 T 400 05 AF	1.6
SYN10 S 400 07 AF	1.62
SYN10 S 400 09 AF	1.68

Mains supply:

SYN10 S 220 07/09: 1ph 200-240V 50/60Hz. Terminals L1(L) e L3(N);
SYN10 T 400 05/07/09: 3ph 380-460V 50/60Hz. Terminals L1, L2, L3

SYN10 case C with switches

SYN10 S 220 01/03/05 IP65 S

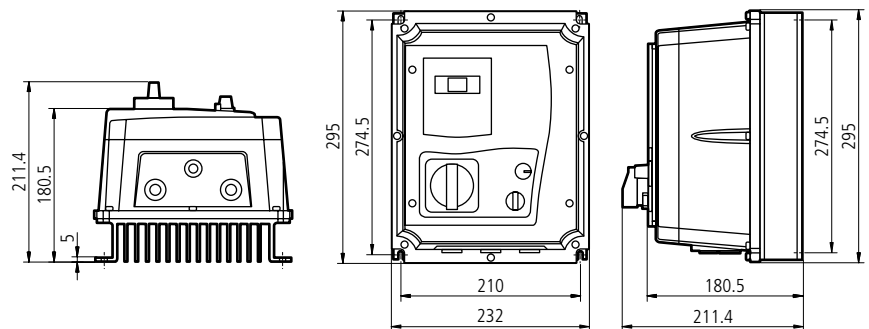
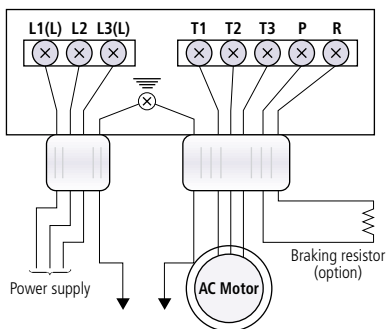


Type	Weight (kg)
SYN10 S 220 01/03/05 AF IP65 S	3.4
SYN10 S 220 01/03/05 AF IP65	3.2

NB: The layout of power terminals is also valid for IP65 models without switches
SYN10 S 220 01/03/05 AF IP65

SYN10 case D with switches

SYN10 S 220 07/09 IP65 S SYN10 T 400 05/07/09 IP65 S



Type	Weight (kg)
SYN10 S 220 07/09 AF IP65 S	6.2
SYN10 T 400 05 AF IP65 S	5.8
SYN10 T 400 07 AF IP65 S	6.0
SYN10 T 400 09 AF IP65 S	6.1

Mains supply:

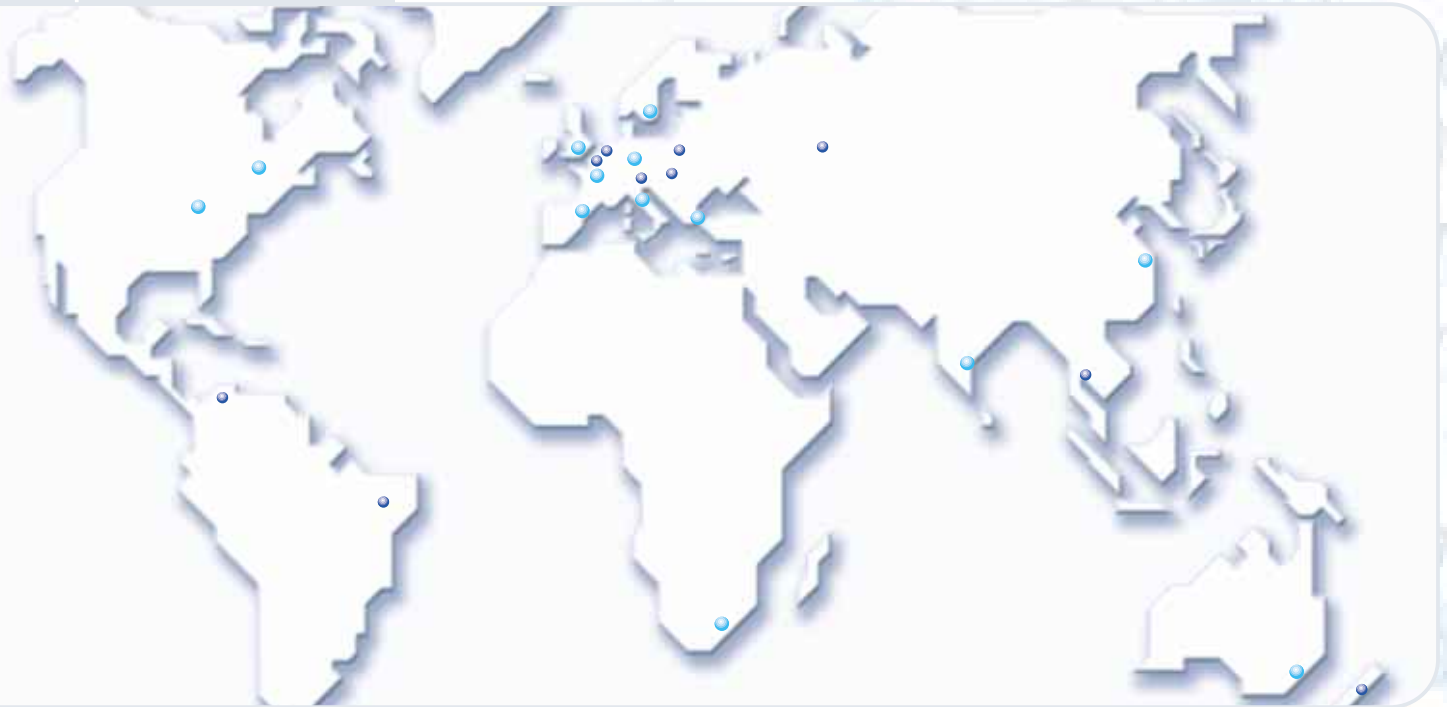
SYN10 S 220 07/09: 1ph 200-240V 50/60Hz. Terminals L1(L) e L3(N);
SYN10 T 400 05/07/09: 3ph 380-460V 50/60Hz. Terminals L1, L2, L3



Bonfiglioli is a Partner Worldwide for Power Transmission and Motion Control



The ever-growing export share has led Bonfiglioli into the most far away Countries. With expansion plans entailing a further growth of the sales network Bonfiglioli aims at improving both the competitiveness of its products and the effectiveness of the Customer service. In every market place Bonfiglioli is committed to improve the Customer satisfaction by offering state-of-the-art technology and shorter deliveries. Nowadays branch companies and BEST Partners bearing the Bonfiglioli name are operating in seventeen Countries outside Italy, with sales and service in the other countries managed by appointed dealers. The domestic network is made up of 30 sales office and representatives and 100 dealers operating with their own warehouse and supporting Customers locally. Throughout the World Bonfiglioli's reputed know-how and Service guarantee effective and timely assistance.



Bonfiglioli Worldwide & BEST Partners

AUSTRALIA

BONFIGLIOLI TRANSMISSION (Aust) Pty Ltd.
101, Plumpton Road, Glendenning NSW 2761, Australia
Locked Bag 1000 Plumpton NSW 2761
Tel. (+61) 2 8811 8000 - Fax (+61) 2 9675 6605
www.bonfiglioli.com.au - sales@bonfiglioli.com.au

AUSTRIA

MOLL MOTOR GmbH
Industriestrasse 8 - 2000 Stockerau
Tel. (+43) 2266 63421+DW - Fax (+43) 6342 180
www.mollmotor.at - office@mollmotor.at

BELGIUM

ESCO TRANSMISSION N.V./S.A.
Culliganlaan 3 - 1831 Machelem Diegem
Tel. 0032 2 7176460 - Fax 0032 2 7176461
www.esco-transmissions.be - info@esco-transmissions.be

BRASIL

ATI BRASIL
Rua Omlio Monteiro Soares, 260 - Vila Fanny - 81030-000
Tel. (+41) 334 2091 - Fax (+41) 332 8669
www.atibrasil.com.br - vendas@atibrasil.com.br

CANADA

BONFIGLIOLI CANADA INC.
2-7941 Jane Street - Concord, ONTARIO L4K 4L6
Tel. (+1) 905 7384466 - Fax (+1) 905 7389833
www.bonfigliolicanada.com - sales@bonfigliolicanada.com

CHINA

BONFIGLIOLI DRIVES (SHANGHAI) CO. LTD.
No. 8 Building, 98 Tian Ying Road - Qingspu District, Shanghai, PRC 201700
Tel. +86 21 69225500 - Fax +86 21 69225511
www.bonfiglioli.cn - linkn@bonfiglioli.com.cn

FRANCE

BONFIGLIOLI TRANSMISSIONS S.A.
14 Rue Eugène Pottier BP 19
Zone Industrielle de Moimont II - 95670 Marly la Ville
Tel. (+33) 1 34474510 - Fax (+33) 1 34688800
www.bonfiglioli.fr - btf@bonfiglioli.fr

GERMANY

BONFIGLIOLI DEUTSCHLAND GmbH
Hamburger Straße 18 - 41540 Dormagen
Tel. (+49) 2133 50260 - Fax (+49) 2133 502610
www.bonfiglioli.de - info@bonfiglioli.de

GREAT BRITAIN

BONFIGLIOLI UK Ltd
Unit 3 Colemeadow Road - North Moons Moat
Redditch, Worcestershire B98 9PB
Tel. (+44) 1527 65022 - Fax (+44) 1527 61995
www.bonfiglioli.co.uk - uksales@bonfiglioli.com

BONFIGLIOLI (UK) LIMITED

5 Grosvenor Grange - Woolston - Warrington, Cheshire WA1 4SF
Tel. (+44) 1925 852667 - Fax (+44) 1925 852668
www.bonfiglioliuk.co.uk - sales@bonfiglioliuk.co.uk

GREECE

BONFIGLIOLI HELLAS S.A.
O.T. 48A T.O. 230 - C.P. 570 22 Industrial Area - Thessaloniki
Tel. (+30) 2310 796456 - Fax (+30) 2310 795903
www.bonfiglioli.gr - info@bonfiglioli.gr

HOLLAND

ELSTO AANDRIJFTECHNIEK
Loosterweg, 7 - 2215 TL Voorhout
Tel. (+31) 252 219 123 - Fax (+31) 252 231 660
www.elsto.nl - imfo@elsto.nl

HUNGARY

AGISYS AGITATORS & TRANSMISSIONS Ltd
2045 Törökbálint, Tö u.2. Hungary
Tel. +36 23 50 11 50 - Fax +36 23 50 11 59
www.agisys.hu - info@agisys.com

INDIA

BONFIGLIOLI TRANSMISSIONS PVT Ltd.
PLOT AC7-AC11 Sidco Industrial Estate
Thirumudivakkam - Chennai 600 044
Tel. +91(0)44 24781035 / 24781036 / 24781037
Fax +91(0)44 24780091 / 24781904
www.bonfiglioli.co.in - bonfig@vsnl.com

NEW ZEALAND

SAECO BEARINGS TRANSMISSION
36 Hastie Avenue, MangerePo Box 22256, Otahuhu - Auckland
Tel. +64 9 634 7540 - Fax +64 9 634 7552
mark@saeco.co.nz

POLAND

POLPACK Sp. z o.o. - Ul. Chrobrego 135/137 - 87100 Torun
Tel. 0048.56.6559235 - 6559236 - Fax 0048.56.6559238
www.polpack.com.pl - polpack@polpack.com.pl

RUSSIA

FAM
57, Maly prospekt, V.O. - 199048, St. Petersburg
Tel. +7 812 3319333 - Fax +7 812 3271454
www.fam-drive.ru - info@fam-drive.ru

SPAIN

TECNOTRANS BONFIGLIOLI S.A.
Pol. Ind. Zona Franca sector C, calle F, n°6 08040 Barcelona
Tel. (+34) 93 4478400 - Fax (+34) 93 3360402
www.tecnotrans.com - tecnotrans@tecnotrans.com

SOUTH AFRICA

BONFIGLIOLI POWER TRANSMISSION Pty Ltd.
55 Galaxy Avenue, Linbro Business Park - Sandton
Tel. (+27) 11 608 2030 OR - Fax (+27) 11 608 2631
www.bonfiglioli.co.za - bonfigsales@bonfiglioli.co.za

SWEDEN

BONFIGLIOLI SKANDINAVIEN AB
Kontorsgatan - 234 34 Lomma
Tel. (+46) 40 412545 - Fax (+46) 40 414508
www.bonfiglioli.se - info@bonfiglioli.se

THAILAND

K.P.T MACHINERY (1993) CO.LTD.
259/83 Soi Phiboovnes, Sukhumvit 71 Rd. Phrakonong-nur,
Wattana, Bangkok 10110
Tel. 0066.2.3913030/7111998
Fax 0066.2.7112852/3811308/3814905
www.kpt-group.com - sales@kpt-group.com

USA

BONFIGLIOLI USA INC
1000 Worldwide Boulevard - Hebron, KY 41048
Tel. (+1) 859 334 3333 - Fax (+1) 859 334 8888
www.bonfiglioliusa.com
industrialsales@bonfiglioliusa.com
mobilesales@bonfiglioliusa.com

VENEZUELA

MAQUINARIA Y ACCESORIOS IND.-C.A.
Calle 3B - Edif. Comindu - Planta Baja - Local B
La Urbina - Caracas 1070
Tel. 0058.212.2413570 / 2425268 / 2418263
Fax 0058.212.2424552 - Tlx 24780 Maica V
www.maica-ve.com - maica@telcel.net.ve

HEADQUARTERS

BONFIGLIOLI RIDUTTORI S.p.A.
Via Giovanni XXIII, 7/A
40012 Lippo di Calderara di Reno
Bologna (ITALY)
Tel. (+39) 051 6473111
Fax (+39) 051 6473126
www.bonfiglioli.com
bonfiglioli@bonfiglioli.com

SPARE PARTS BONFIGLIOLI

B.R.T.
Via Castagnini, 2-4
Z.I. Bargellino - 40012
Calderara di Reno - Bologna (ITALY)
Tel. (+39) 051 727844
Fax (+39) 051 727066
www.brtonfiglioliricambi.it
brt@bonfiglioli.com



www.bonfiglioli.com

