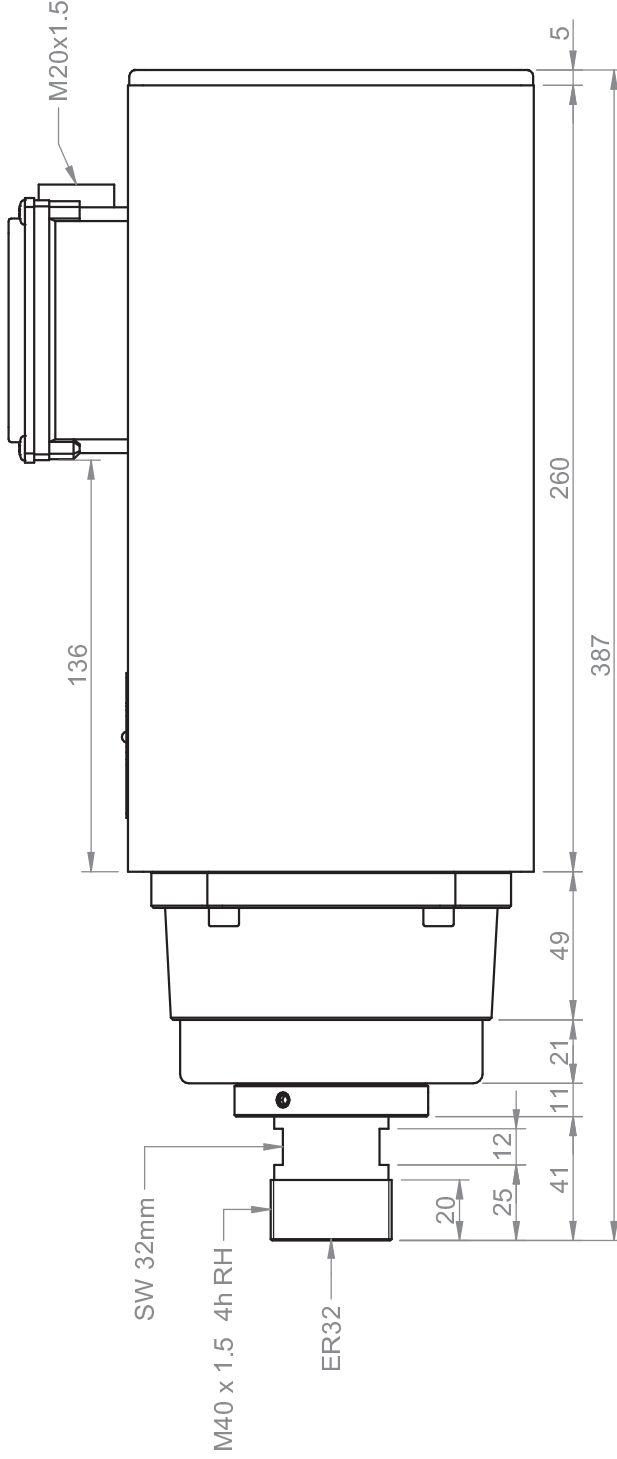
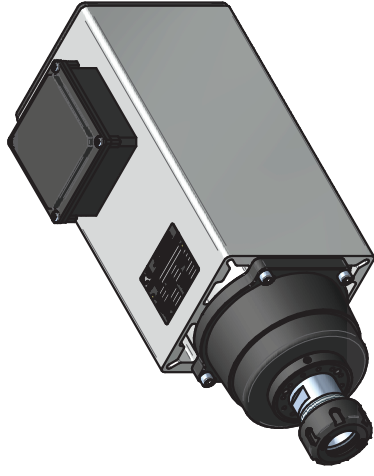
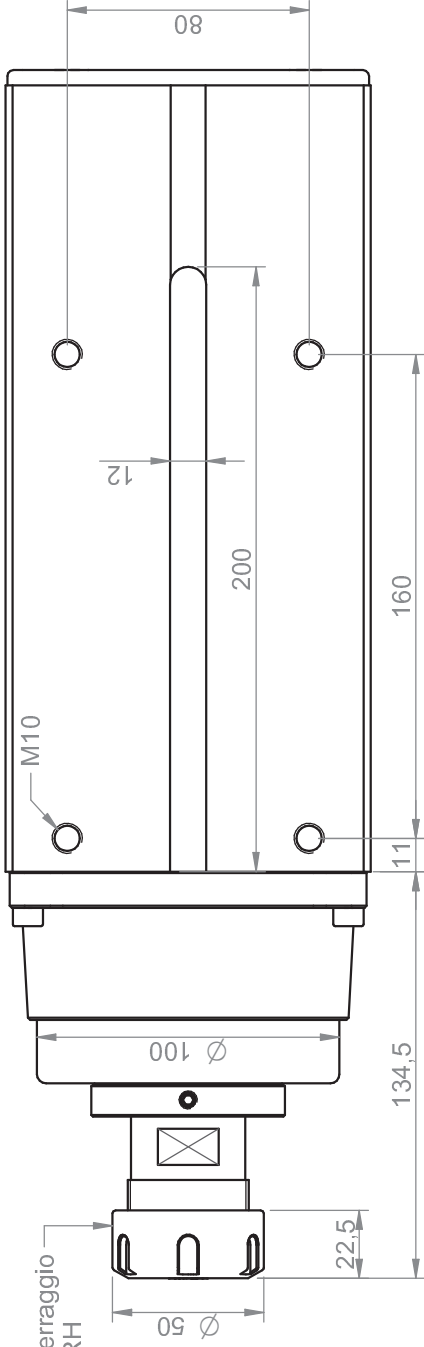


Ghiera serraggio  
GTS32 RH



Power [kW]		3.0	Ins. Cl.	F	Title		6067-D-DB-P-ER32-RH	
Duty Cycle		S1	Protection	IP54	Teknomotor		Teknomotor S.r.l. Via Argenega 31, I-32038 Quero Vas (BL) www.teknomotor.com	
Base speed [rpm]		6000	Base voltage Δ [V]	380	Part number on nameplate		COM60670035	
Max speed [rpm]		9000	Base freq. [Hz]	100	Absorb. Y [A]		7.4	
Balancing		G2.5 - ISO 1940 @ maximum motor speed	Max speed [rpm]	150	Absorb. Δ [A]		12.8	
Tolerances non quotate / unlisted tollerances: ±0.5mm Smussi non quotate / unlisted chamfers: ±0.5mm			Max freq. [Hz]	150	Cool type		full key	
rev. n°		description	Balancing type		Cool type		half key	
01		Cuscinetto posteriore da 6205 a 6204	Weight	20.89 kg	Cool type		VW = 0.8 ∇	
00		Emissione	Weight	20.89 kg	Cool type		VW = 3.2 ∇	
drawn - date		approved - date	checked - date	checked - date	date		signature	
E. Gaspari - 07/06/2017		S. Perli - 07/06/2017	S. Perli - 07/06/2017	S. Perli - 07/06/2017	07/06/2017		E. Gaspari	
00		Emissione	checked - date	checked - date	20/02/2015		D. Bottarel	
Drawing n°		3005	Drawing code		COM60670035		Customer	
folgio / sheet		1 / 1	scala		n.d.		Catalogo	
A4		Drawing n°		3005				