

Servo Motors

AZX Series

Battery-Free Absolute Mechanical Sensor Equipped Motor

Standard Type / PS Geared Type 400 W, 600 W

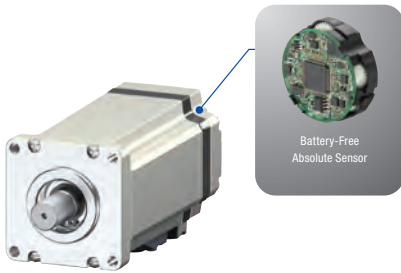


EtherCAT  EtherNet/IP 

These servo motors are equipped with a battery-free absolute sensor. They are suitable for positioning applications with a large amount of travel, since they achieve high torque in the high speed range. The basic operations are the same as the **AZ** Series, making combined use in equipment easy.

Battery-Free Absolute Sensor Equipped Servo Motor

The **AZX** Series is equipped with the same battery-free mechanical absolute sensor (**ABZO** sensor) as the **AZ** Series. These are dedicated servo motors for positioning and continuous operation.



- **Mechanical-Type Sensor**
Holds positioning information even when powered off
- **Multi-Turn Absolute Sensor**
Absolute position detection is possible with ± 900 rotations (1800 rotations) of the motor shaft from the reference home position

● For details about the advantages, please see the Oriental Motor website.

● No External Sensors Required

Thanks to the absolute system, a home sensor or external sensor is not required.

Advantages

- High-Speed Return-to-Home + Improved Return-to-Home Accuracy
- Reduced Cost
- Simple Wiring
- Not Affected by External Sensor Malfunctions

● Battery-Free

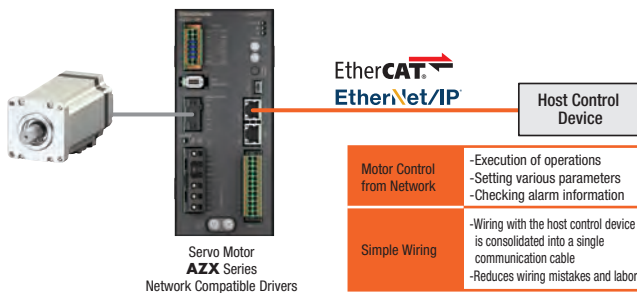
No battery is necessary for a mechanical-type sensor. Positioning information is managed mechanically by the ABZO sensor.

Advantages

- No Battery Replacement Required
- No Battery Installation Space Required (Unlimited driver installation possibilities)
- Safe for Overseas Shipping

Network Compatible Drivers

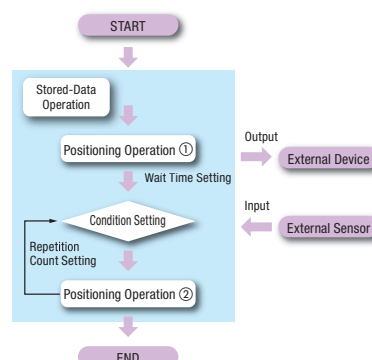
These drivers are EtherCAT and EtherNet/IP-compatible. The host control device and driver are connected with one communication cable, reducing wiring.



Sequence Function Simplifies Programming*

AZX Series positioning operations come with a variety of sequence functions, such as a timer setting between operations and linked operation, conditional branching, and loop counting. These can be set using the support software **MEXE02**, which helps simplify the host system's sequence program.

*Only EtherNet/IP-compatible drivers.



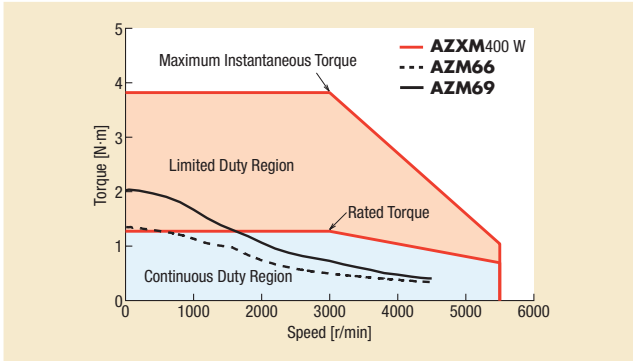
- Positioning Operation Data Setting (Max. 256 points)
- General-Purpose I/O Signal Counts (Input 6, output 6)
- Communication I/O Signal Counts (Input 16, output 16)

Achieves High Torque in the High Speed Range

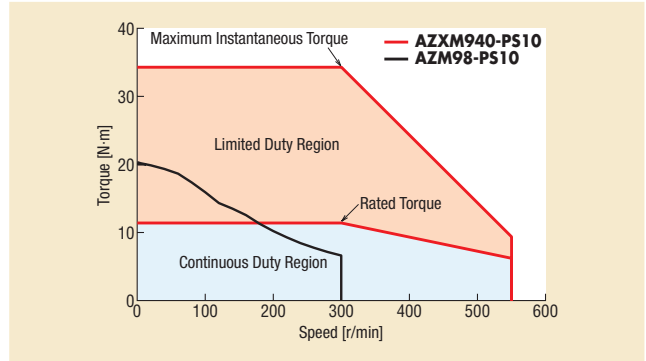
The **AZX** Series achieves high torque in the high speed range.

It is suitable for positioning applications with a large amount of travel (e.g.: ball screw driving).

Standard Type



PS Geared Type

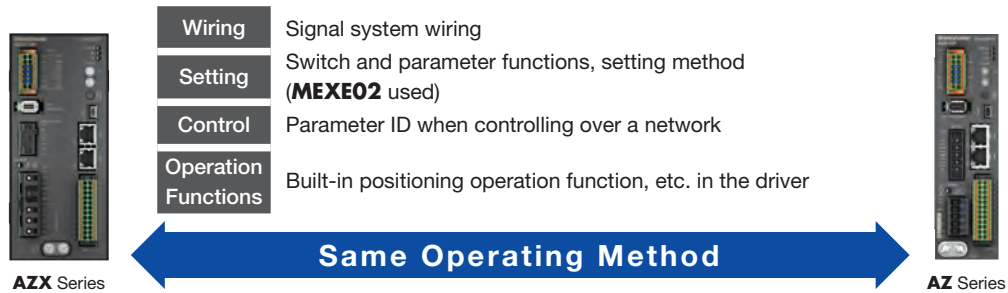


● This is a comparison of the speed – torque characteristics of the **AZX** Series and **AZ** Series.

The **AZX** Series offers superior torque in the high speed range, the **AZ** Series is better in the low speed range.



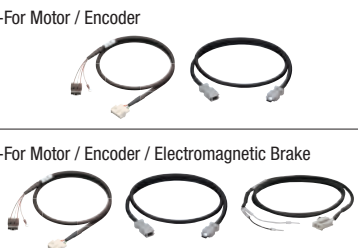

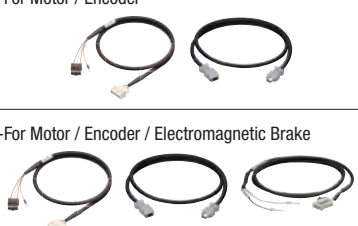
The Basic Operations are the Same as the AZ Series

Using the **AZX** Series and **AZ** Series together in the same equipment can eliminate the work of operational changes.



Product Line

Motors, drivers, and cables must be ordered individually.

Motor			Driver	Cables	
Type	Output Power	Frame Size		Cable Type	Cable Length
Standard Standard Type with Electromagnetic Brake 	400 W	60 mm	 EtherCAT® EtherNet/IP Single-Phase/ Three-Phase 200-240 V	Connection Cable Sets 	1 to 20 m
	600 W	85 mm			
PS Geared PS Geared Type with Electromagnetic Brake -Gear Ratio 5 10 25 	400 W	90 mm		Flexible Connection Cable Sets 	
	600 W	90 mm*			

● EtherCAT-compatible drivers have passed the official EtherCAT conformance test.

● EtherCAT® is a patented technology licensed from Beckhoff Automation GmbH (Germany) and is a registered trademark of that company.

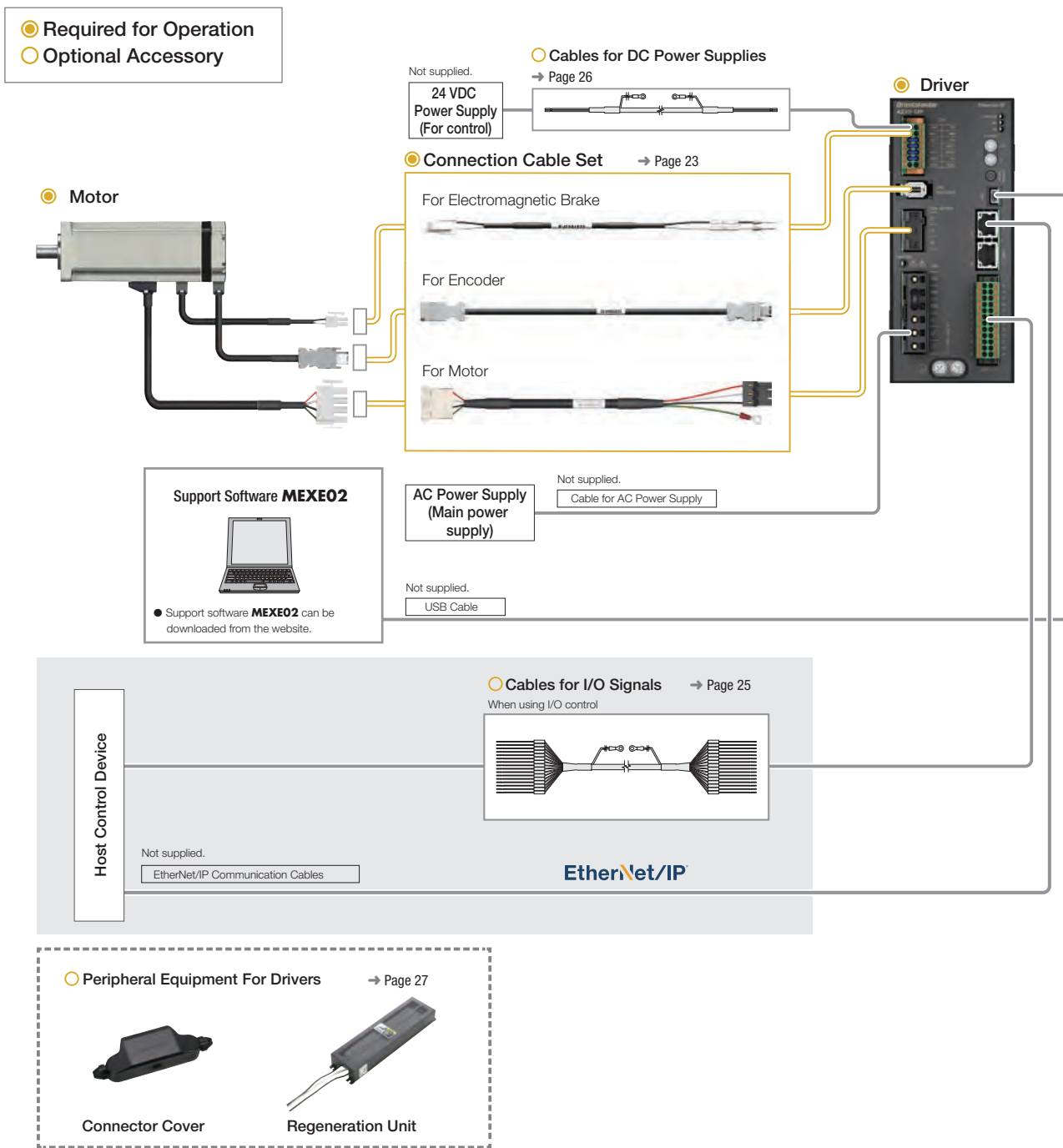
● EtherNet/IP™ is a trademark of ODVA.

*Gear ratio 5 only

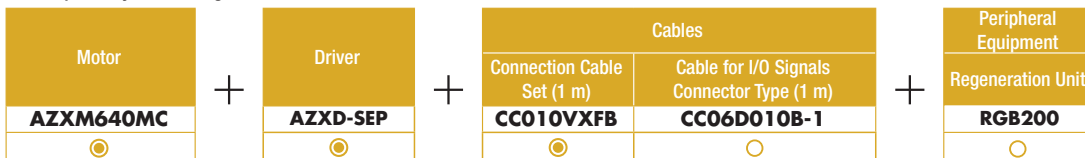
System Configuration

Combination of Standard Type Motor with Electromagnetic Brake and Network Compatible Driver

An example of a configuration using I/O control or EtherNet/IP with an EtherNet/IP compatible driver is shown below. Motors, drivers, and connection cable sets / flexible connection cable sets must be ordered individually.



Example of System Configuration



● The system configuration shown above is an example. Other combinations are also available.

Note

● The motor cable and electromagnetic brake cable from the motor cannot be connected directly to the driver. When connecting to a driver, use a connection cable.

Product Number

● Motor

◇ Standard Type

AZXM 6 40 A C

① ② ③ ④ ⑤

◇ PS Geared Type

AZXM 9 40 A C-PS 10

① ② ③ ④ ⑤ ⑥ ⑦

● Driver

AZXD-S EP

① ② ③

● Connection Cable Sets / Flexible Connection Cable Sets

CC 010 V X F B

① ② ③ ④ ⑤ ⑥

①	Motor Type	AZXM: AZX Series Motor
②	Motor Frame Size	6: 60 mm 9: 85 mm
③	Output Power	40: 400 W 60: 600 W
④	Output Shaft Type	A: Single Shaft M: Type with Electromagnetic Brake
⑤	Motor Type	C: AC Input Specification

①	Motor Type	AZXM: AZX Series Motor
②	Motor Frame Size	9: 90 mm
③	Output Power	40: 400 W 60: 600 W
④	Output Shaft Type	A: Single Shaft M: Type with Electromagnetic Brake
⑤	Motor Type	C: AC Input Specification
⑥	Geared Type	PS: PS Geared Type
⑦	Gear Ratio	

①	Driver Type	AZXD: AZX Series Driver
②	Power Supply Input	S: Single-Phase/Three-Phase 200-240 VAC
③	Product Line	ED: EtherCAT-Compatible EP: EtherNet/IP-Compatible

①		CC: Cable
②	Length	010: 1 m 020: 2 m 030: 3 m 050: 5 m 070: 7 m 100: 10 m 150: 15 m 200: 20 m
③	Reference Number	
④	Applicable Model	X: For AZX Series
⑤	Cable Type	F: Connection Cable Set R: Flexible Connection Cable Set
⑥	Description	Blank: For Type without Electromagnetic Brake B: For Type with Electromagnetic Brake

Product Line

Motors, drivers, and connection cables must be ordered individually.

Motor

Standard Type



Frame Size	Output Power	Product Name
60 mm	400 W	AZXM640AC
85 mm	600 W	AZXM960AC

Standard Type with an Electromagnetic Brake



Frame Size	Output Power	Product Name
60 mm	400 W	AZXM640MC
85 mm	600 W	AZXM960MC

PS Geared Type



Frame Size	Output Power	Product Name
90 mm	400 W	AZXM940AC-PS5 AZXM940AC-PS10 AZXM940AC-PS25
	600 W	AZXM960AC-PS5

PS Geared Type with Electromagnetic Brake



Frame Size	Output Power	Product Name
90 mm	400 W	AZXM940MC-PS5 AZXM940MC-PS10 AZXM940MC-PS25
	600 W	AZXM960MC-PS5

Driver

EtherCAT-Compatible



Power Supply Input	Product Name
Single-Phase/Three-Phase 200-240 VAC	AZXD-SED

EtherNet/IP-Compatible



Power Supply Input	Product Name
Single-Phase/Three-Phase 200-240 VAC	AZXD-SEP

Connection Cable Sets / Flexible Connection Cable Sets

Use the flexible connection cable set in applications where the cable is bent and flexed.

Extension cable sets and flexible extension cable sets are also available.

Refer to page 22.

Included Items

Motor

Type	Included Items	Parallel Key
Standard Type		-
PS Geared Type		1 piece

Driver

Type	Included Items	Connector
EtherCAT-Compatible EtherNet/IP-Compatible		-For CN1 (1 piece) -For CN4 (1 piece) -For CN7 (1 piece) -Connector wiring lever (1 piece)

List of Combinations

Product	Type	Product Name
Motor	Standard Type	AZXM640 ■C, AZXM960 ■C
	PS Geared Type	AZXM940 ■C-PS□, AZXM960 ■C-PS5

+

Product	Type	Product Name
Driver	EtherCAT-Compatible	AZXD-SED
	EtherNet/IP-Compatible	AZXD-SEP

+

Product	Type	Product Name
Connection Cable Sets / Flexible Connection Cable Sets	Connection Cable Set	For Motor / Encoder: CC ◇◇◇◇ VXF For Motor / Encoder / Electromagnetic Brake: CC ◇◇◇◇ VXFB
	Flexible Connection Cable Sets	For Motor / Encoder: CC ◇◇◇◇ VXR For Motor / Encoder / Electromagnetic Brake: CC ◇◇◇◇ VXRB

● A letter or number indicating the following is specified where the box is located in the product name.

- : Output Shaft Shape
- : Gear Ratio
- ◇: Cable Length

How to Read Specifications

Motor Product Name	Single Shaft With Electromagnetic Brake	AZXM640AC	AZXM940AC-PS5
		AZXM640MC	AZXM940MC-PS5
Driver Product Name		AZXD-S□	
① Rated Output Power	W	400	400
② Rated Speed	r/min	3000	-
③ Max. Speed	r/min	5500	-
④ Rated Torque	Nm	1.27	5.72
⑤ Maximum Instantaneous Torque	Nm	3.82	17.1
⑥ Permissible Speed Range	r/min	-	0 - 1100
⑦ Rotor Inertia	J: kgm ²	0.294 × 10 ⁻⁴ (0.316 × 10 ⁻⁴)	0.294 × 10 ⁻⁴ (0.316 × 10 ⁻⁴)
⑧ Inertia	J: kgm ²	-	0.163 × 10 ⁻⁴
⑨ Permissible Load Inertia	J: kgm ²	14.7 × 10 ⁻⁴	0.037
⑩ Gear Ratio	-	-	5
⑪ Resolution	P/R	100 - 10000 (Factory setting 1000)	500 - 50000 (Factory setting 5000)
Detector		Mechanical Multi-Turn Absolute Encoder 1 Turn: 16 bit Multi-Turn: ±900 rotations (1800 rotations)	
⑫ Backlash	arcmin	-	15
⑬ Power Supply	Main Power Supply	Input Voltage: Single-Phase/Three-Phase 200-240 VAC -15 ~ +6% 50/60 Hz Rated Current: A: Single-Phase: 5.3 Three-Phase: 3.0	
	Control Power	Input Voltage: 24 VDC ± 5% Input Current: A: 0.27 (0.57) Type: Power Off Activated Type	
	Supply	Power Supply Input: 24 VDC ± 10% Power Consumption: W: 7.2 Rated Current: A: 0.3	
	Electromagnetic Brake	Static Friction Torque: Nm: 1.27	

① Rated Output Power

This is the permissible range the temperature rise may not exceed when continuously operated at the motor's rated speed and rated torque.

② Rated Speed

This is the rotation speed when the motor is operated at rated output power.

③ Max. Speed

This is the maximum rotation speed the motor can turn at.

④ Rated Torque

This is the output torque when the motor is operated at rated output power and rated speed.

⑤ Maximum Instantaneous Torque

This is the maximum torque that can be used instantaneously (in a short period of time).

It is the maximum for acceleration and deceleration, and up to this torque can be used.

⑥ Permissible Speed Range

This is the range of the operable rotation speed on the output gear shaft.

⑦ Rotor Inertia

This refers to the inertia of the rotor inside the motor.

This is necessary when the required torque (acceleration torque) for the motor is calculated.

⑧ Inertia

This is the inertia in the gearhead.

This is necessary when the required torque (acceleration torque) for the motor is calculated.

⑨ Permissible Load Inertia

This is the load inertia that the motor can stably control.

Control can become unstable if a load exceeding this value is applied, resulting in speed regulation variation and issues with protection circuit operation, vibration, etc.

⑩ Gear Ratio

This is the ratio of the rotation speed between the input speed from the motor and the speed of the output gear shaft. For example, a gear ratio of 10 indicates that when the input speed from the motor is 10 r/min, the output gear shaft speed is 1 r/min.

⑪ Resolution

This indicates the angle of rotation of the output shaft in one pulse. For example, if the resolution = 1000 p/rev, one rotation of the motor (360°) can be divided into 1000.

⑫ Backlash

This is the play of the output gear shaft when the motor shaft is fixed.

When positioning in bi-direction, the positioning accuracy is affected.

⑬ Rated Current

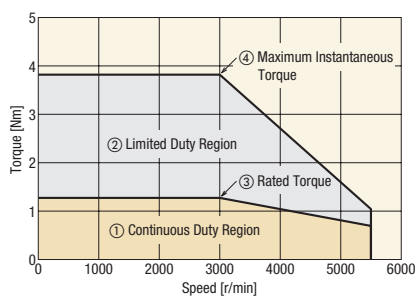
This is the input current of the main power supply required for use in the continuous duty region.

⑭ Static Friction Torque

This is the electromagnetic brake specifications. It is the maximum holding torque (holding force) at which the electromagnetic brake can hold position.

How to Read Speed – Torque Characteristics

AZXM640□C



① Continuous Duty Region

This is the region that can be used at continuous rating. The effective load torque must be corrected to this region.

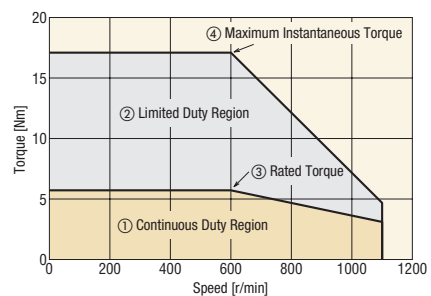
② Limited Duty Region

This is the region used for acceleration and deceleration.

③ Rated Torque

This is the output torque when the motor is operated at rated output power and rated speed.

AZXM940□C-PS5



④ Maximum Instantaneous Torque

This is the maximum torque that can be used instantaneously (in a short period of time).

It is the maximum for acceleration and deceleration, and up to this torque can be used.

Standard Type

Frame Size 60 mm

Specifications



Motor Product Name	Single Shaft	AZXM640AC
	With Electromagnetic Brake	AZXM640MC
Driver Product Name		AZXD-S <input type="checkbox"/>
Rated Output Power	W	400
Rated Speed	r/min	3000
Max. Speed	r/min	5500
Rated Torque	Nm	1.27
Maximum Instantaneous Torque	Nm	3.82
Rotor Inertia	J: kgm ²	0.294 × 10 ⁻⁴ [0.316 × 10 ⁻⁴]*1
Permissible Inertia*2	J: kgm ²	14.7 × 10 ⁻⁴
Resolution	P/R	100 - 10000 (Factory setting 1000)
Detector		Mechanical Multi-Turn Absolute Encoder 1 Turn: 16 bit Multi-Turn: ±900 rotations (1800 rotations)
Power Supply Input	Main Power Supply	Input Voltage
		Rated Current*3
	Control Power Supply	Input Voltage
		Input Current
Electromagnetic Brake*4		Type
		Power Supply Input
		Power Consumption
		Rated Current
		Static Friction Torque

● A letter indicating the driver type is specified where the box is located in the product name. Check "List of Combinations" on page 5 for driver product names.

*1 The value inside the [] represents the value when connecting an electromagnetic brake motor.

*2 50 times the rotor inertia.

*3 The value when operated in the continuous duty region. When operated in the limited duty region, a maximum of approximately 3 times the current flows.

*4 The electromagnetic brake holds position when the power is off. It cannot be used for braking applications.

Note

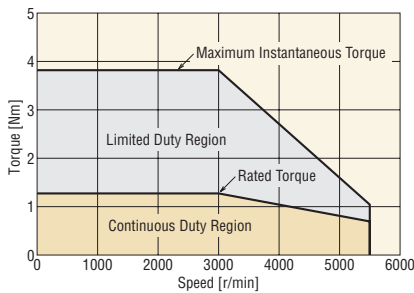
● When the motor is continuously operated at rating, a heat sink of a capacity at least equivalent to an aluminum plate of the following size is required.

AZXM640 **C**: 300 mm × 300 mm, 10 mm thick

Speed – Torque Characteristics

AZXM640 C

Power supply specification: Three-phase/single-phase 200-240 VAC



Note

● A regeneration unit may be needed depending on the operating conditions. Regeneration units → Page 27

● Either **A** (standard) or **M** (type with an electromagnetic brake) indicating the configuration is specified where the box is located in the product name.

Standard Type

Frame Size 85 mm

Specifications



Motor Product Name		Single Shaft	AZXM960AC
		With Electromagnetic Brake	AZXM960MC
Driver Product Name			AZXD-S
Rated Output Power		W	600
Rated Speed		r/min	3000
Max. Speed		r/min	5500
Rated Torque		Nm	1.91
Maximum Instantaneous Torque	Single-Phase 200-240 VAC	Nm	3.82
	Three-Phase 200-240 VAC	Nm	7.16
Rotor Inertia		J: kgm ²	0.948 × 10 ⁻⁴ [1.03 × 10 ⁻⁴]*1
Permissible Inertia*2		J: kgm ²	47.4 × 10 ⁻⁴
Resolution		P/R	100~10000 (Factory setting 1000)
Detector			Mechanical Multi-Turn Absolute Encoder 1 Turn: 16 bit Multi-Turn: ±900 rotations (1800 rotations)
Power Supply Input	Main Power Supply	Input Voltage	Single-Phase/Three-Phase 200-240 VAC -15 - +6% 50/60 Hz
		Rated Current*3	A Single-Phase: 7.1 Three-Phase: 3.9
	Control Power Supply	Input Voltage	24 VDC ± 5%
		Input Current	A 0.27 [0.62]*1
Electromagnetic Brake*4		Type	Power Off Activated Type
		Power Supply Input	24 VDC ± 10%
		Power Consumption	W 8.5
		Rated Current	A 0.35
		Static Friction Torque	Nm 1.91

● A letter indicating the driver type is specified where the box is located in the product name. Check "List of Combinations" on page 5 for driver product names.

*1 The value inside the [] represents the value when connecting an electromagnetic brake motor.

*2 50 times the rotor inertia.

*3 The value when operated in the continuous duty region. When operated in the limited duty region, a maximum of approximately 4 times the current flows for three-phase input, and a maximum of approximately 2 times the current flows for single-phase input.

*4 The electromagnetic brake holds position when the power is off. It cannot be used for braking applications.

Note

● When the motor is continuously operated at rating, a heat sink of a capacity at least equivalent to an aluminum plate of the following size is required.

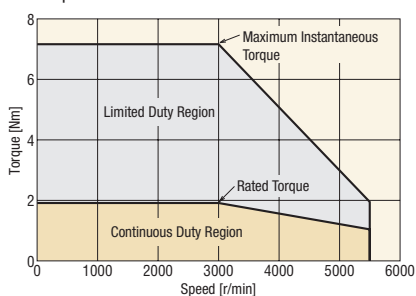
AZXM960 **C**: 350 mm × 350 mm, 10 mm thick

Speed – Torque Characteristics

AZXM960 C

Power supply specification:

Three-phase 200-240 VAC



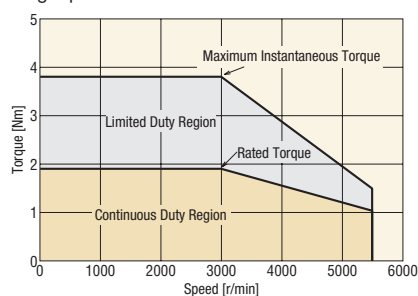
Note

● A regeneration unit may be needed depending on the operating conditions. Regeneration units → Page 27

AZXM960 C

Power supply specification:

Single-phase 200-240 VAC



● Either **A** (standard) or **M** (type with an electromagnetic brake) indicating the configuration is specified where the box is located in the product name.

PS Geared Type

Frame Size 90 mm



Specifications

Motor Product Name	Single Shaft	AZXM940AC-PS5	AZXM940AC-PS10	AZXM940AC-PS25	AZXM960AC-PS5	
	With Electromagnetic Brake	AZXM940MC-PS5	AZXM940MC-PS10	AZXM940MC-PS25	AZXM960MC-PS5	
Driver Product Name	AZXD-S					
Rated Output Power	W	400			600	
Rated Torque	Nm	5.72	11.4	25.7	8.6	
Maximum Instantaneous Torque	Single-Phase 200-240 VAC	17.1	34.3	77.2	17.2	
	Three-Phase 200-240 VAC				32.2	
Permissible Speed Range	r/min	0 - 1100	0 - 550	0 - 220	0 - 1100	
Rotor Inertia	J: kgm ²	0.294 × 10 ⁻⁴ [0.316 × 10 ⁻⁴]*1			0.948 × 10 ⁻⁴ [1.03 × 10 ⁻⁴]*1	
Inertia*2	J: kgm ²	0.163 × 10 ⁻⁴	0.160 × 10 ⁻⁴	0.175 × 10 ⁻⁴	0.163 × 10 ⁻⁴	
Permissible Inertia*3	J: kgm ²	0.037	0.147	0.919	0.119	
Gear Ratio		5	10	25	5	
Resolution	P/R	500 - 50000 (Factory setting 5000)	1000 - 100000 (Factory setting 10000)	2500 - 250000 (Factory setting 25000)	500 - 50000 (Factory setting 5000)	
Detector	Mechanical Multi-Turn Absolute Encoder 1 Turn: 16 bit Multi-Turn: ±900 rotations (1800 rotations)					
Backlash	arcmin	15 (0.25)				
Power Supply Input	Main Power Supply	Input Voltage	Single-Phase/Three-Phase 200-240 VAC -15~+6% 50/60 Hz			
		Rated Current*4	Single-Phase: 5.3 Three-Phase: 3.0		Single-Phase: 7.1 Three-Phase: 3.9	
	Control Power Supply	Input Voltage	24 VDC ±5%			
		Input Current	0.27 [0.57]*1		0.27 [0.62]*1	
Electromagnetic Brake*5	Type	Power Off Activated Type				
	Power Supply Input	24 VDC ±10%				
	Power Consumption	W	7.2		8.5	
	Rated Current	A	0.3		0.35	
	Static Friction Torque	Nm	1.27		1.91	

● A letter indicating the driver type is specified where the box is located in the product name. Check "List of Combinations" on page 5 for driver product names.

*1 The value inside the [] represents the value when connecting an electromagnetic brake motor.

*2 This is the value of the internal inertia of the gear converted to the motor shaft.

*3 The square of 50 times the rotor inertia × the gear ratio.

*4 The value when operated in the continuous duty region (the region that can be used at continuous rating).

When operated in the limited duty region (the region used for acceleration and deceleration), the following current flows.

● **AZXM940**: Approx. 3 times max.

● **AZXM960** single-phase: Approx. 2 times max.

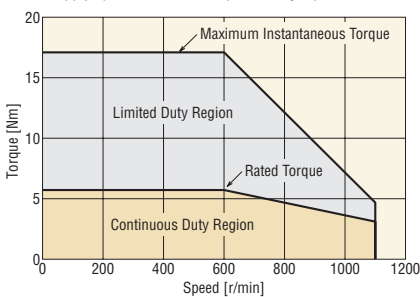
● **AZXM960** three-phase: Approx. 4 times max.

*5 The electromagnetic brake holds position when the power is off. It cannot be used for braking.

Speed – Torque Characteristics

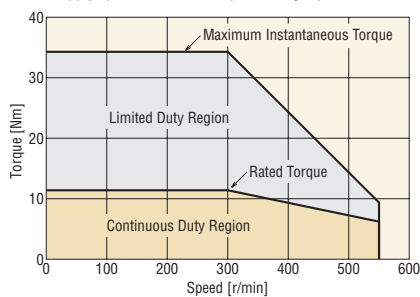
AZXM940 C-PS5

Power supply specification: Three-phase/single-phase 200-240 VAC



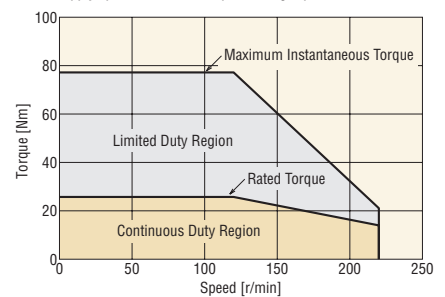
AZXM940 C-PS10

Power supply specification: Three-phase/single-phase 200-240 VAC



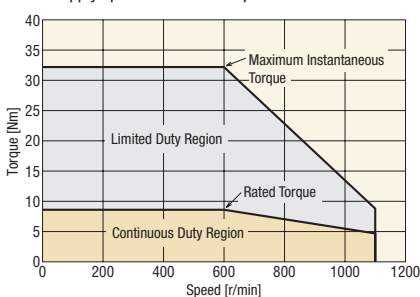
AZXM940 C-PS25

Power supply specification: Three-phase/single-phase 200-240 VAC



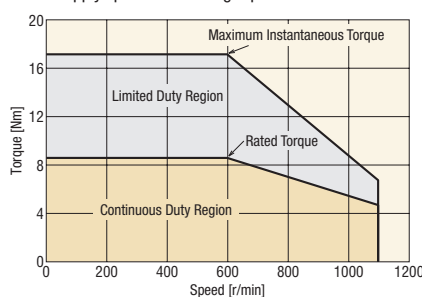
AZXM960 C-PS5

Power supply specification: Three-phase 200-240 VAC



AZXM960 C-PS5

Power supply specification: Single-phase 200-240 VAC



Note

● A regeneration unit may be needed depending on the operating conditions. Regeneration units → Page 27

● Either **A** (standard) or **M** (type with an electromagnetic brake) indicating the configuration is specified where the box is located in the product name.

Driver Specifications

Driver Product Name	AZXD-SED	AZXD-SEP
Interface	Control Input	6 Points, Photocoupler
	Pulse Output	2 Points, Line Driver
	Control Output	6 Points, Photocoupler and Open-Collector
	Power Shut Down Signal Input	2 Points, Photocoupler
	Power Shut Down Monitor Output	1 Point, Photocoupler and Open-Collector
	Field Network	EtherCAT

Driver Functions

EtherCAT-Compatible

Driver Product Name	AZXD-SED	
Remote I/O	Input	16 Points
	Output	16 Points
Operation Modes	Profile Position Mode (PP)	
	Profile Speed Mode (PV)	
	Return-to-Home Mode (HM)	
	Cyclic Synchronous Position Mode (CSP)	
	Cyclic Synchronous Speed Mode (CSV)	
Setting Tool	Support Software MEXE02	
Coordinates Management Method	Battery-Free Absolute System	
Monitor and Information	As shown in the table below.	
Alarm	<input type="radio"/>	

EtherNet/IP-Compatible

Driver Product Name	AZXD-SEP		
Number of Positioning Data Sets	256 Points		
Remote I/O	Input	16 Points	
	Output	16 Points	
Setting Tool	Support Software MEXE02		
Coordinates Management Method	Battery-Free Absolute System		
Operation	Independent Operation	<input type="radio"/>	
	Positioning Operation	Linked Operation	<input type="radio"/>
		Sequential Operation	<input type="radio"/>
		Multi-Speed Operation (Continuous Sequential Operation)	<input type="radio"/>
	Sequence Control	Loop Operation (Repeating)	<input type="radio"/>
		Event Jump Operation	<input type="radio"/>
	Continuous Operation	<input type="radio"/>	
	Return-To-Home Operation	Return-To-Home Operation	<input type="radio"/>
		High-Speed Return-to-Home Operation	<input type="radio"/>
	JOG Operation	<input type="radio"/>	
Monitor and Information	Waveform Monitoring	<input type="radio"/>	
	Overload Detection	<input type="radio"/>	
	Overheat Detection (Motor and driver)	<input type="radio"/>	
	Position and Speed Information	<input type="radio"/>	
	Temperature Detection (Motor and driver)	<input type="radio"/>	
	Motor Load Factor	<input type="radio"/>	
Distance Traveled / Integrating Distance Traveled	<input type="radio"/>		
Alarm	<input type="radio"/>		

Communication Specifications

EtherCAT-Compatible

Communication Protocol	IEC 61158 Type12
Physical Layer/Protocol	100 BASE-TX (IEEE 802.3)
Baud Rate	100 Mbps
Communication Cycle	-Free Run Mode: 1 ms min. -SM2 Event Synchronous Mode: 1 ms min. -DC Mode: 0.25 ms, 0.5 ms, 1 ms, 2 ms, 3 ms, 4 ms, 5 ms, 6 ms, 7 ms, 8 ms, 9 ms, 10 ms
Communication Port/Connector	RJ45×2 (Shield-compatible) ECAT IN: EtherCAT Input ECAT OUT: EtherCAT Output
Topology	Daisy Chain (Max. 65,535 nodes)
Process Data	Variable PDO Mapping
Sync Manager	-SM0: Mailbox Output -SM1: Mailbox Input -SM2: Process Data Output -SM3: Process Data Input
Mailbox (CoE)	-Emergency Messages -SDO Request -SDO Response -SDO Information
Synchronous Mode	-Free Run Mode (Asynchronous) -SM2 Event Synchronous Mode -DC Mode (SYNC0 Event Synchronous)
Device Profile	IEC 61800-7 CiA402 Drive Profile

EtherNet/IP-Compatible

Communication Protocol	EtherNet/IP (Complies with CT18)	
Vendor ID	187: Oriental Motor Co., Ltd	
Device Type	43: Generic Device	
Baud Rate	10/100 Mbps (Autonegotiation)	
Communication Mode	Full Duplex/Half Duplex (Autonegotiation)	
Cable Specifications	Shielded Twisted-Pair (STP) Cable Stroke/Cross, Category 5e min. Recommended	
Bytes	Output (Scanner→Driver)	40 bytes
	Input (Driver→Scanner)	56 bytes
Implicit Communication	Compatible Connections	2
	Connection Type	Exclusive Owner, Input Only
	Communication Cycle (RPI)	1 - 3200 ms
	Connection Type (Scanner→Driver)	Point-to-Point
	Connection Type (Driver→Scanner)	Point-to-Point, Multicast
	Data Reflection Trigger	Cyclic
IP Address Setting Method	IP Address Setting Switch, Parameter, DHCP	
Compatible Topologies	Star, Linear, Ring (Device Level Ring)	

General Specifications

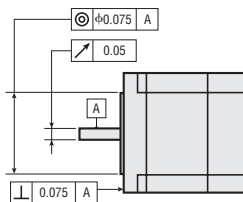
	Motor	Driver
Thermal Class	130 (B)	-
Insulation Resistance	100 MΩ or more when a 500 VDC megger is applied between the following places: -Case-Motor Winding -Case-Electromagnetic Brake Winding*1	100 MΩ or more when a 500 VDC megger is applied between the following places: -Protective Earth Terminal-Main Power Supply Terminal -Encoder Connector-Main Power Supply Terminal -I/O Signal Terminal-Main Power Supply Terminal
Dielectric Strength	Sufficient to withstand the following for 1 minute: -Case-Motor Winding 1.5 kVAC 50 Hz or 60 Hz -Case-Electromagnetic Brake Winding*1 1.0 kVAC 50 Hz or 60 Hz	Sufficient to withstand the following for 1 minute: -Protective Earth Terminal-Main Power Supply Terminal 1.5 kVAC 50 Hz or 60 Hz -Encoder Connector-Main Power Supply Terminal 1.8 kVAC 50 Hz or 60 Hz -I/O Signal Terminal-Main Power Supply Terminal 1.8 kVAC 50 Hz or 60 Hz
Operating Environment (In operation)	Ambient Temperature	0 ~ +40°C (Non-freezing)*2
	Ambient Humidity	85% or less (Non-condensing)
	Atmosphere	No corrosive gases or dust. The product should not be exposed to water, oil or other liquids.
Degree of Protection	IP65 (excluding installation surfaces and connectors)	IP10
Shaft Runout	0.05T.I.R. (mm)*4	-
Concentricity of Installation Pilot to the Shaft	0.075T.I.R. (mm)*4	-
Perpendicularity of Installation Surface to the Shaft	0.075T.I.R. (mm)*4	-

*1 Only for products with an electromagnetic brake

*2 Based on Oriental Motor's internal measurement conditions

*3 When a heat sink of a capacity at least equivalent to an aluminum plate with a size of 200×200 mm and 2 mm thickness

*4 T.I.R. (Total Indicator Reading): The total dial gauge reading when the measurement section is rotated once around the reference axis center.



Note

● Separate the motor and driver when measuring insulation resistance or performing a dielectric voltage withstand test. Also, do not perform these tests on the absolute sensor part of the motor.

Permissible Radial Load and Permissible Axial Load

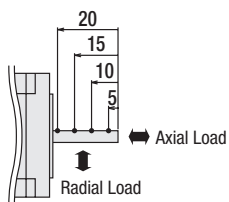
Unit: N

Type	Motor Frame Size	Product Name	Gear Ratio	Permissible Radial Load					Permissible Axial Load
				Distance from Shaft End mm					
				0	5	10	15	20	
Standard Type	60 mm	AZXM640	-	230	245	262	281	304	98
	85 mm	AZXM960	-	376	392	408	426	446	147
PS Geared Type	90 mm	AZXM940	5	380	420	470	540	630	600
			10	480	530	590	680	790	
			25	650	720	810	920	1070	
			5	380	420	470	540	630	600

- The product names are listed such that the product names are distinguishable.
- When the **PS** geared type with an input speed of 3000 r/min operates with either a radial load or axial load, a lifetime of 10000 hours is the permissible value.
For the life of gearhead, please contact the nearest Oriental Motor sales office, or visit the Oriental Motor website.

● Radial Load and Axial Load

Distance from Shaft End [mm]



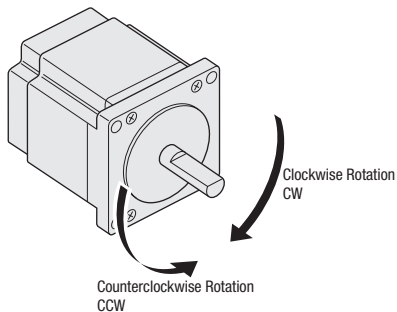
Rotation Direction

This indicates the rotation direction when viewed from the output shaft side of the motor.

Please check the following table for the rotation direction of the output gear shaft when viewed from the output shaft side of the standard type motor.

Type	Gear Ratio	When Viewed from the Output Shaft Side of the Motor Rotation Direction
PS Geared Type	Total Gear Ratio	Same Direction

● Standard Type Motor



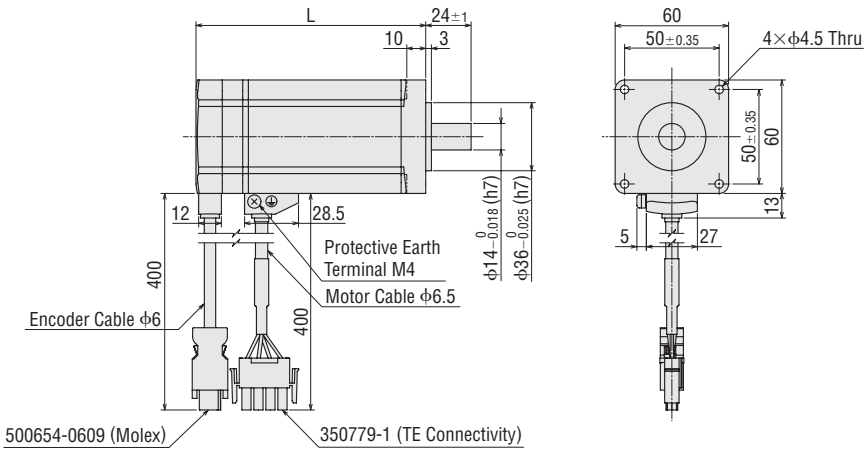
Dimensions (Unit = mm)

● Motor

◇ Standard Type

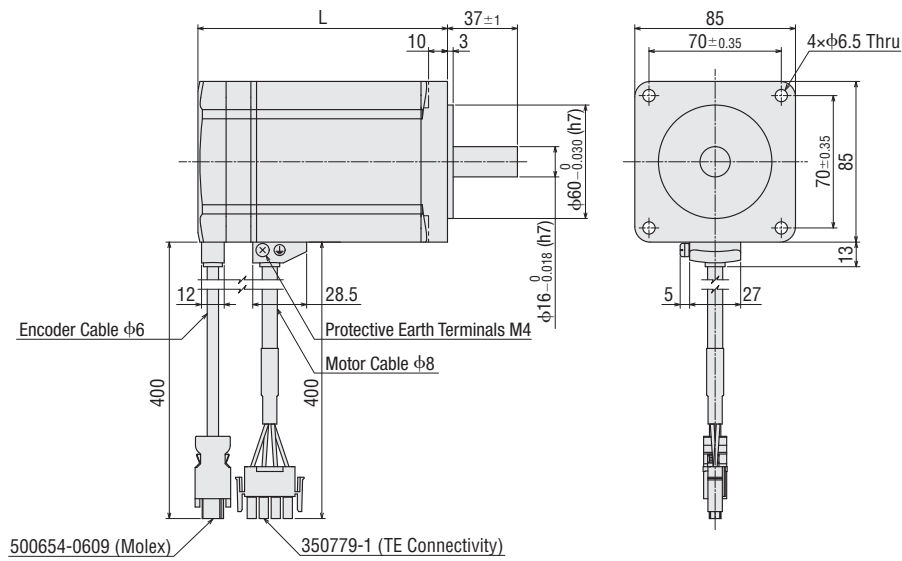
Frame Size 60 mm 400 W

Product Name	L	Mass [kg]
AZXM640AC	121.5	1.5



Frame Size 85 mm 600 W

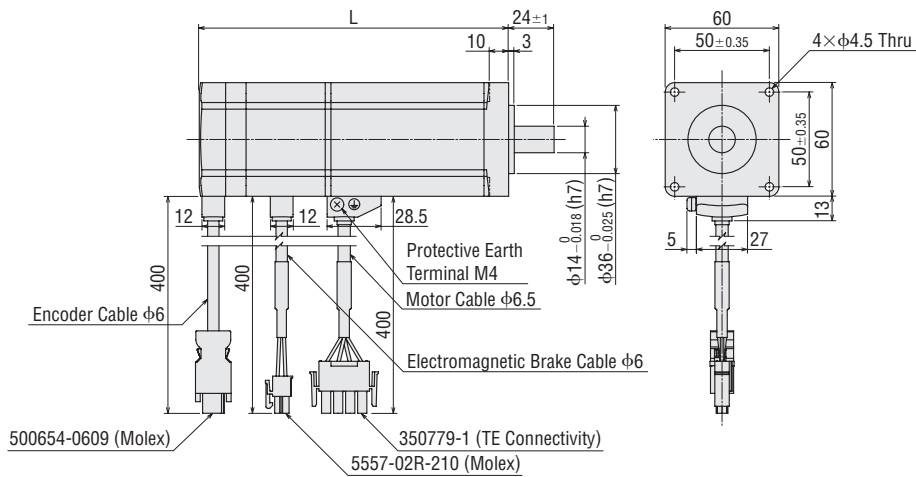
Product Name	L	Mass [kg]
AZXM960AC	132	3.1



◇ Standard Type with an Electromagnetic Brake

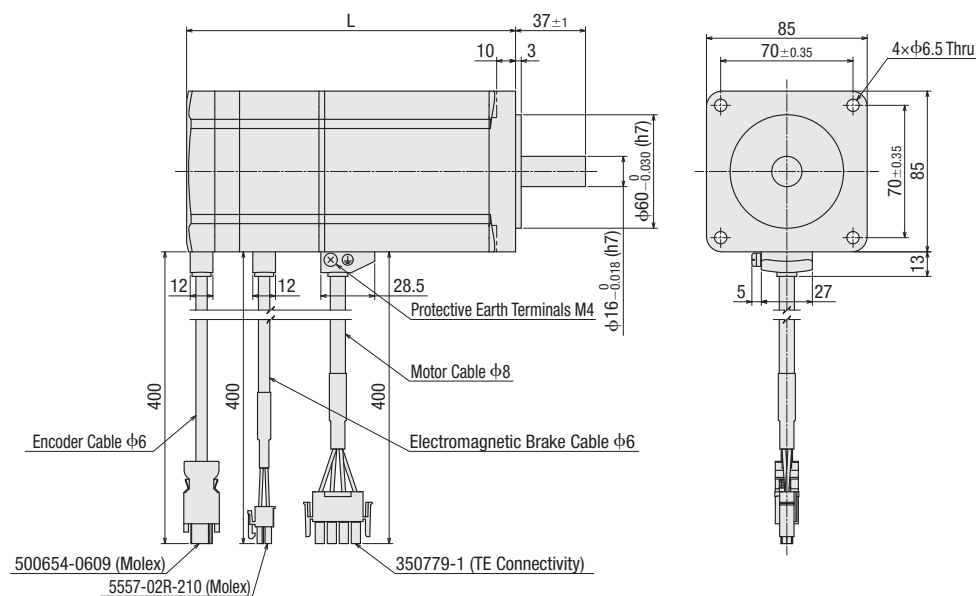
Frame Size 60 mm 400 W

Product Name	L	Mass [kg]
AZXM640MC	163.5	2.0



Frame Size 85 mm 600 W

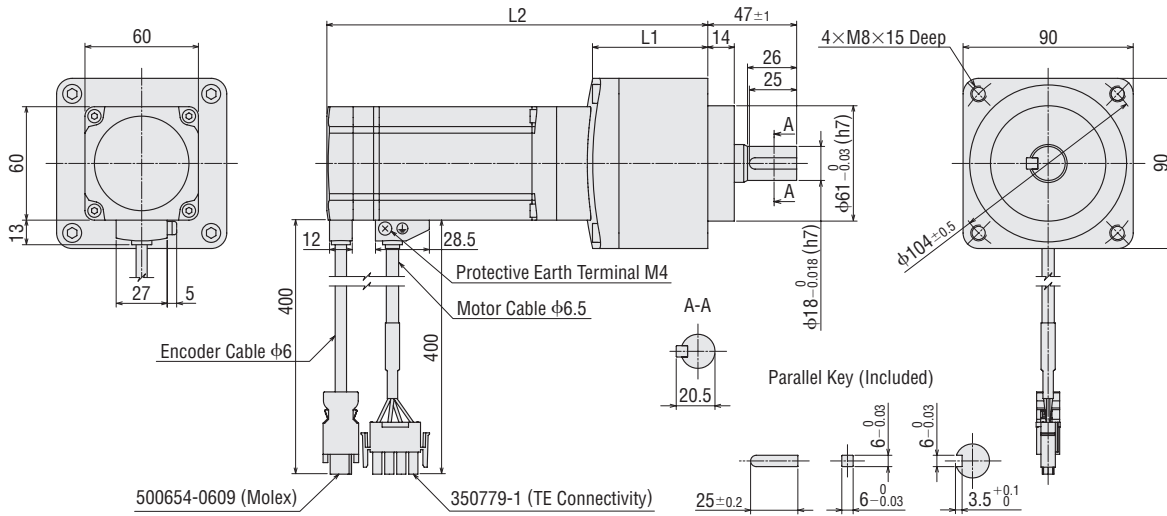
Product Name	L	Mass [kg]
AZXM960MC	174	4.0



◆PS Geared Type

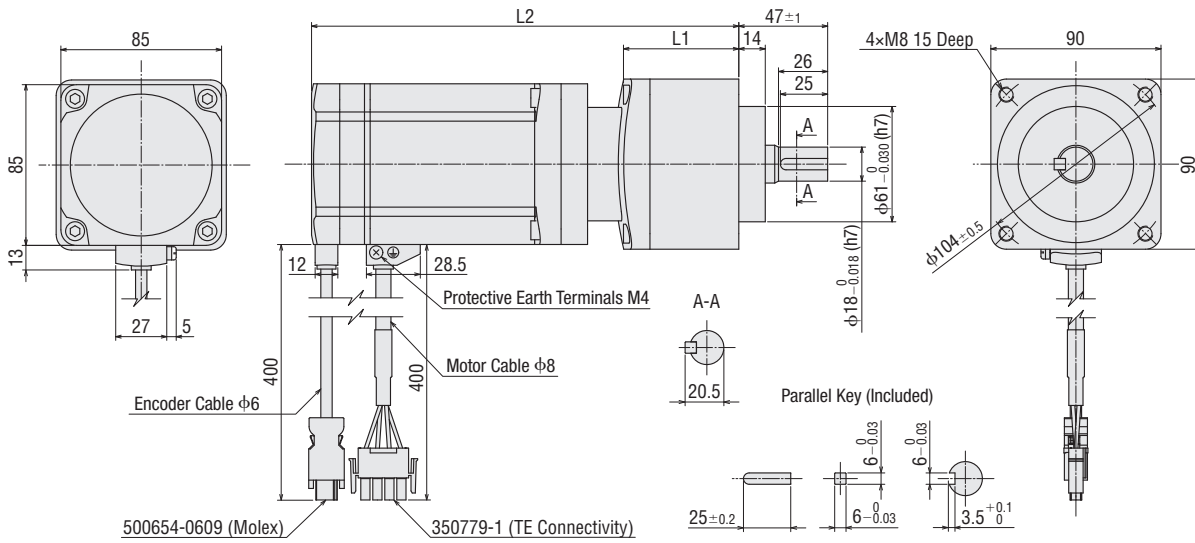
Frame Size 90 mm 400 W

Product Name	Gear Ratio	L1	L2	Mass [kg]
AZXM940AC-PS ■	5, 10	61	201.5	3.5
	25	88.3	229	4.4



Frame Size 90 mm 600 W

Product Name	Gear Ratio	L1	L2	Mass [kg]
AZXM960AC-PS ■	5	61	226	5.3

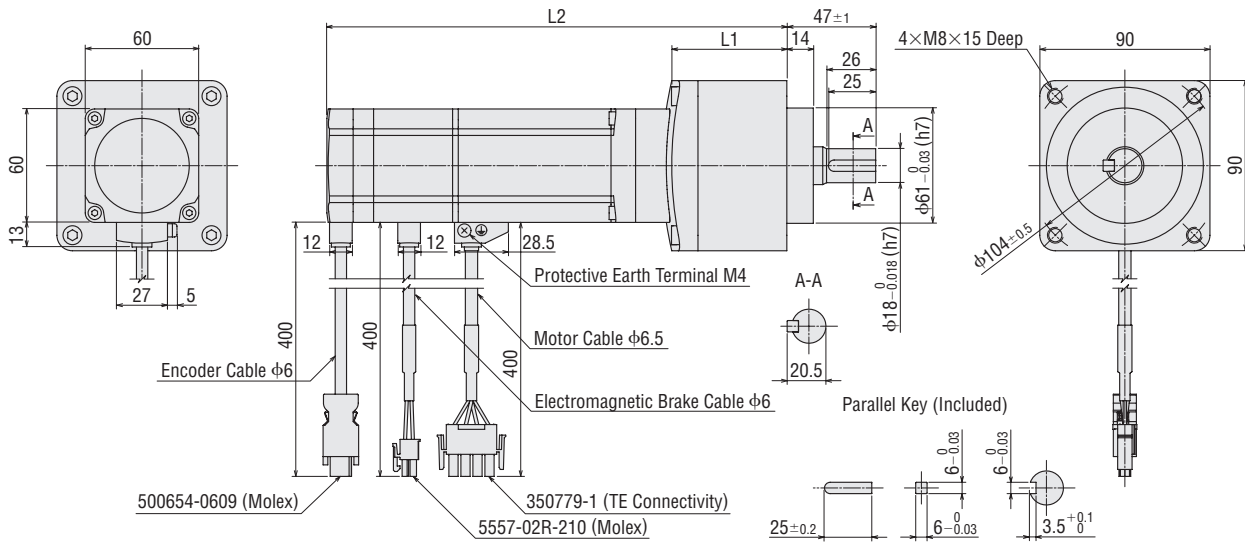


● A number indicating the gear ratio is specified where the box ■ is located in the product name.

◆PS Geared Type with Electromagnetic Brake

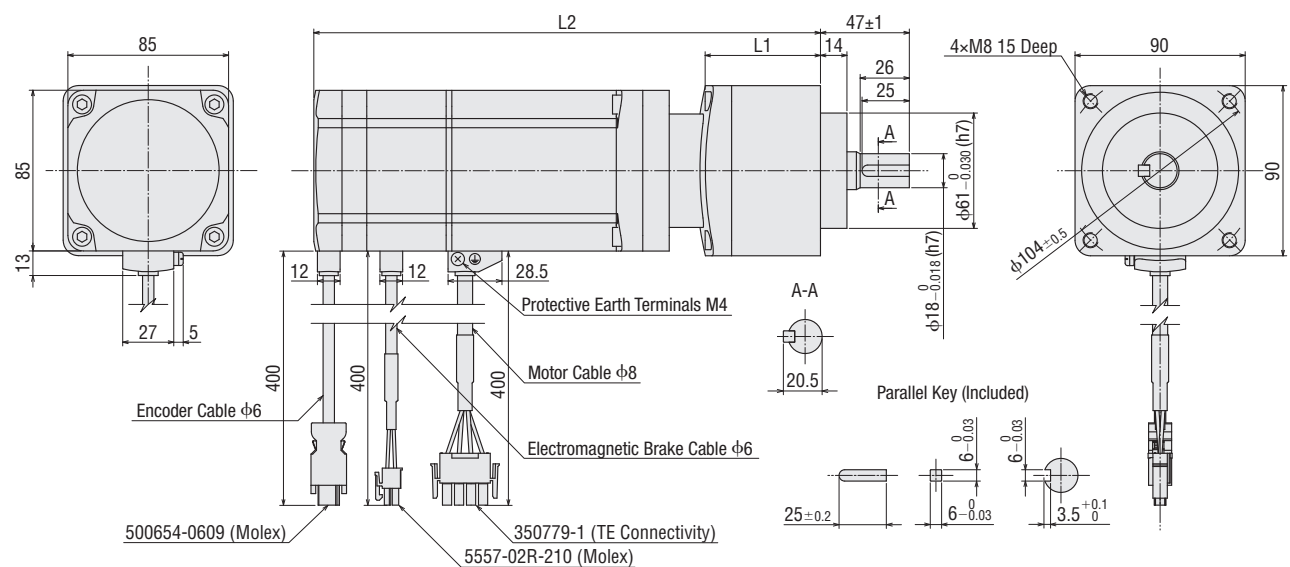
Frame Size 90 mm 400 W

Product Name	Gear Ratio	L1	L2	Mass [kg]
AZXM940MC-PS ■	5, 10	61	243.5	4.0
	25	88.3	270.5	4.9



Frame Size 90 mm 600 W

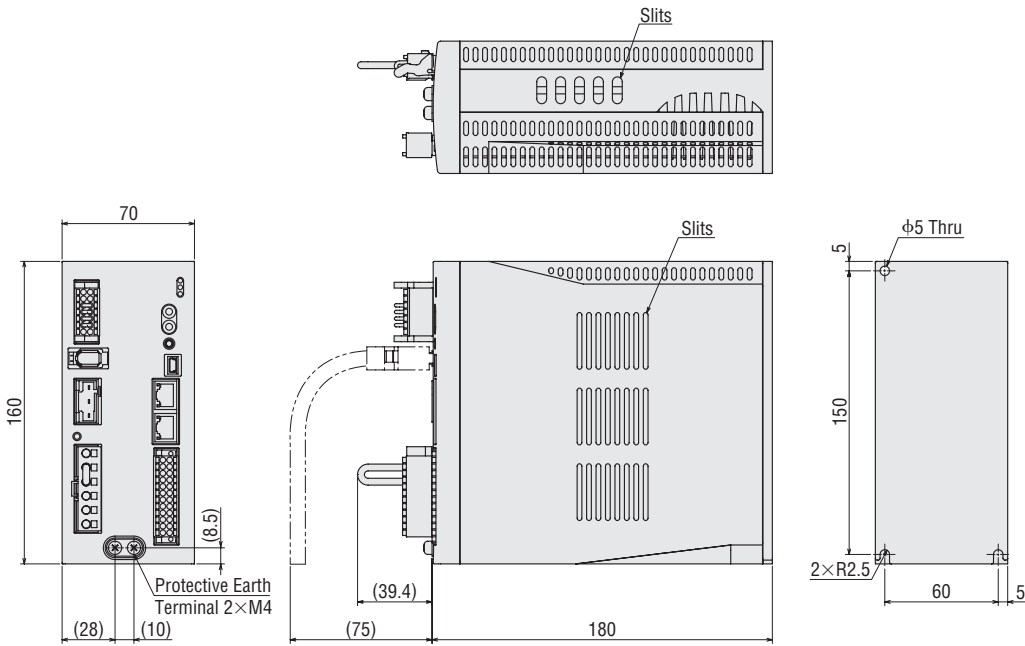
Product Name	Gear Ratio	L1	L2	Mass [kg]
AZXM960MC-PS ■	5	61	268	6.2



● A number indicating the gear ratio is specified where the box ■ is located in the product name.

● Driver

Type	Product Name	Mass [kg]
EtherCAT-Compatible	AZXD-SED	1.5
EtherNet/IP Compatible	AZXD-SEP	



● Included Items

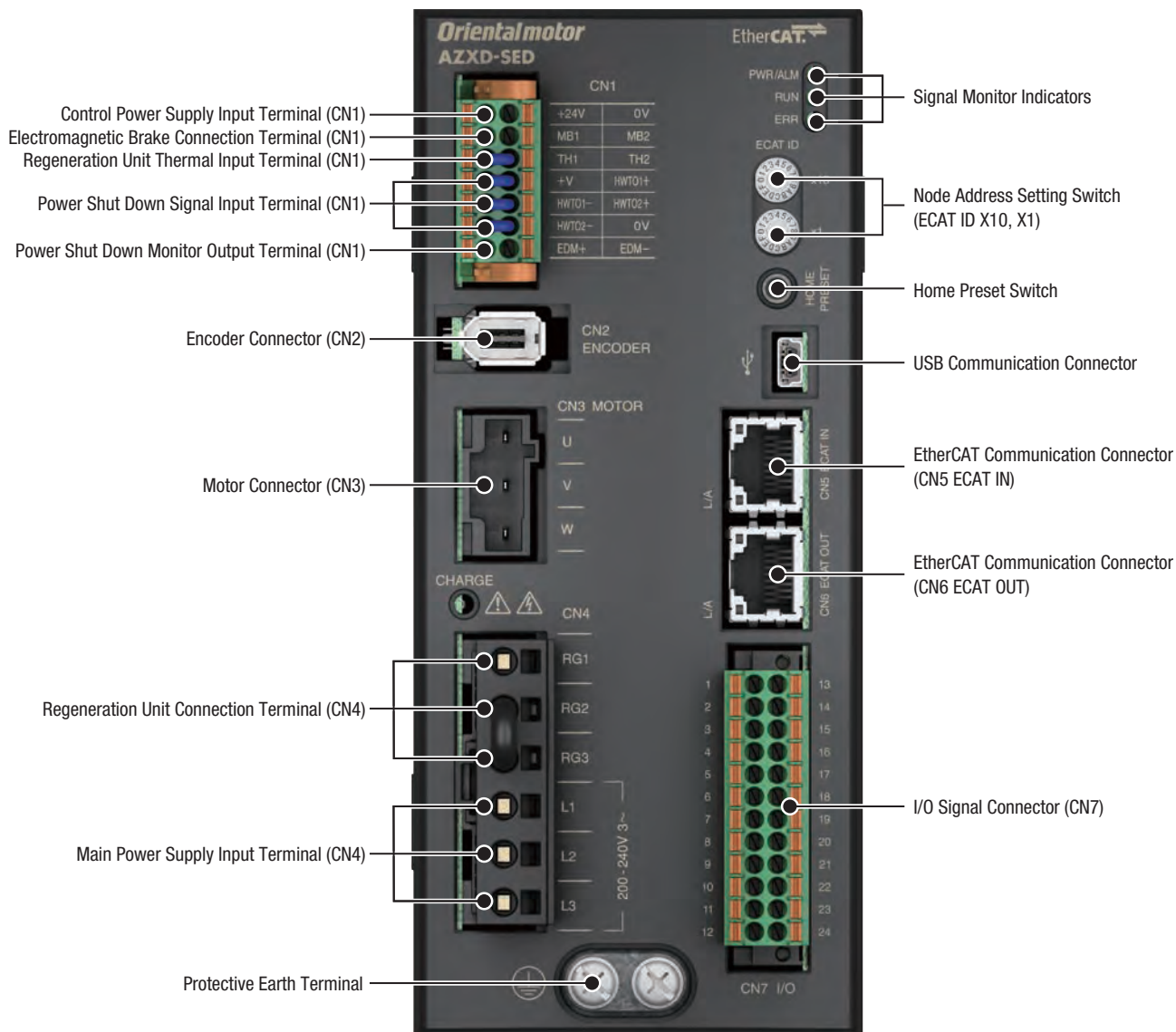
- Control Power Supply Input/Electromagnetic Brake Connection/Regeneration Unit Thermal Input/Power Shut Down Signal I/O Connector (CN1)
 - Connector: DFMC1,5/7-ST-3,5-LR (Phoenix Contact)
- Connector for Main Power/Regeneration Unit (CN4)
 - Connector: 1-2271454-6 (TE Connectivity)
 - Connector Wiring Lever
- I/O Signals Connector (CN7)
 - Connector: DFMC1,5/12-ST-3,5 (Phoenix Contact)

Connection and Operation

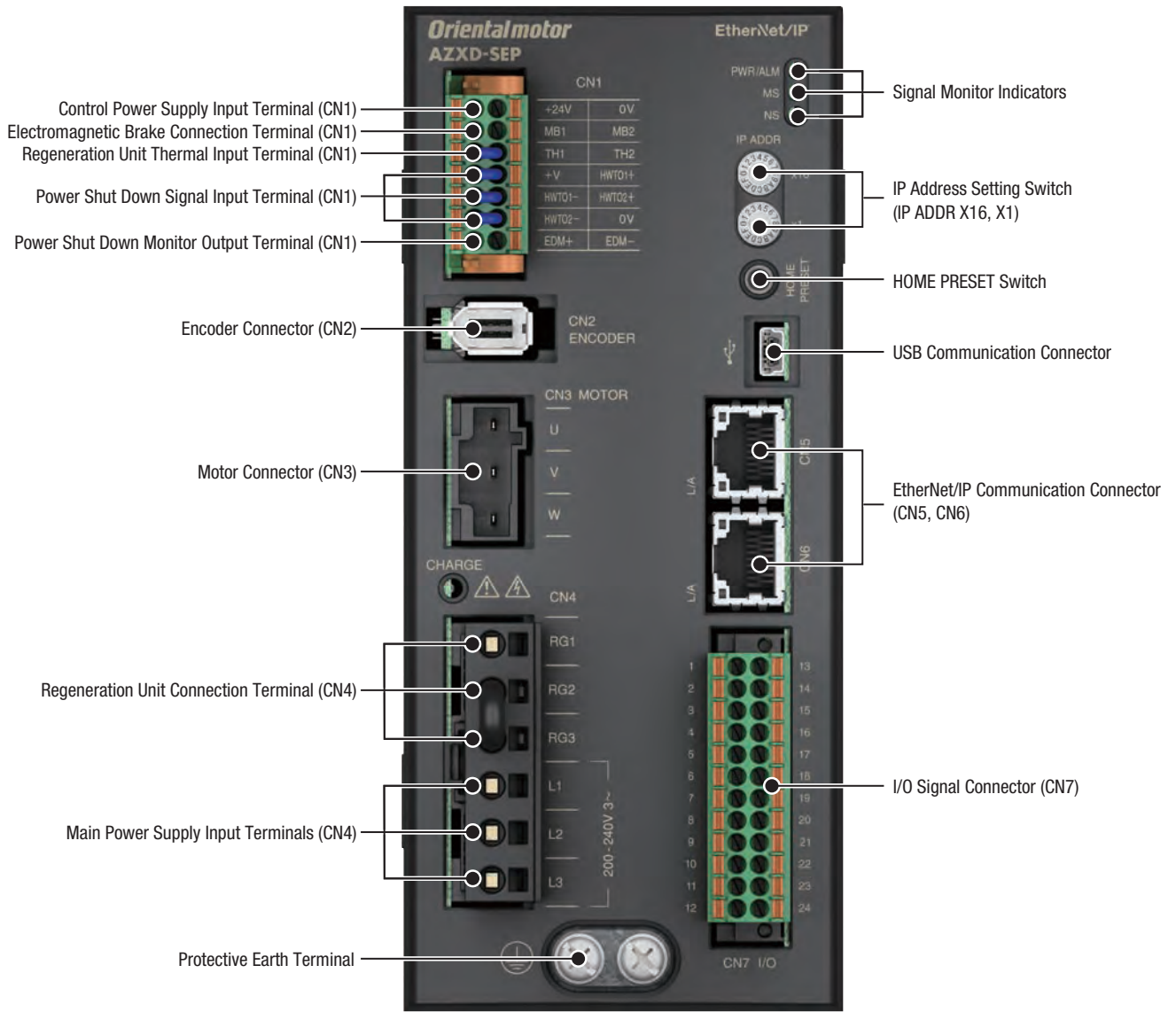
Names of Driver Parts

For details about each function, refer to the operating manual for the **AZX** Series. Either download operating manuals from the Oriental Motor website or contact your nearest Oriental Motor sales office.

◇ EtherCAT-Compatible



◇EtherNet/IP-Compatible



●USB Cable Connection

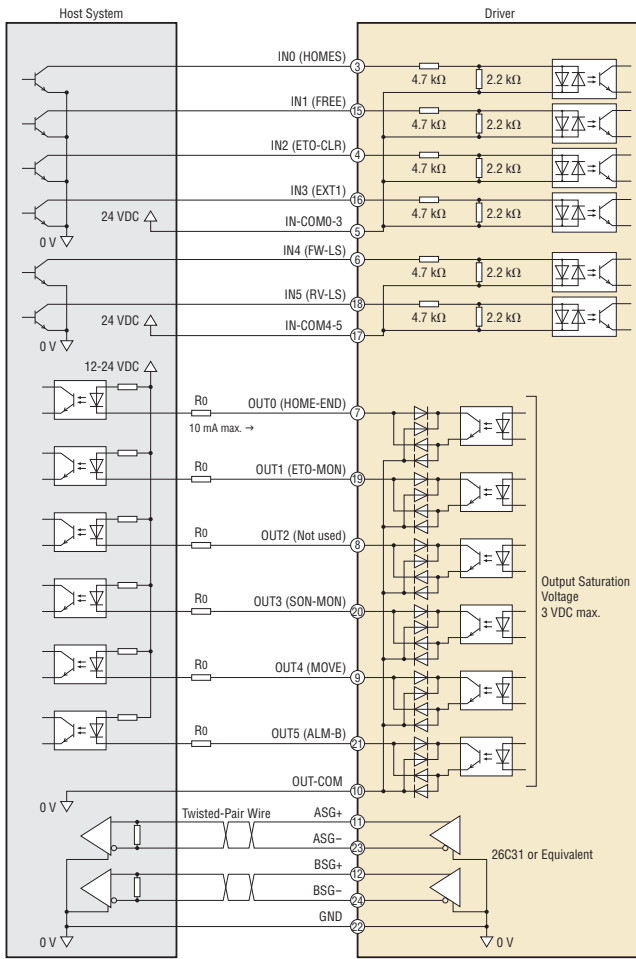
A USB cable is required for connecting the driver to the computer on which the support software **MEXE02** is installed. Use a USB cable with the following specifications.

Specifications	USB 2.0 (Full Speed)
Cables	Length: 3 m or less Configuration: A to mini B

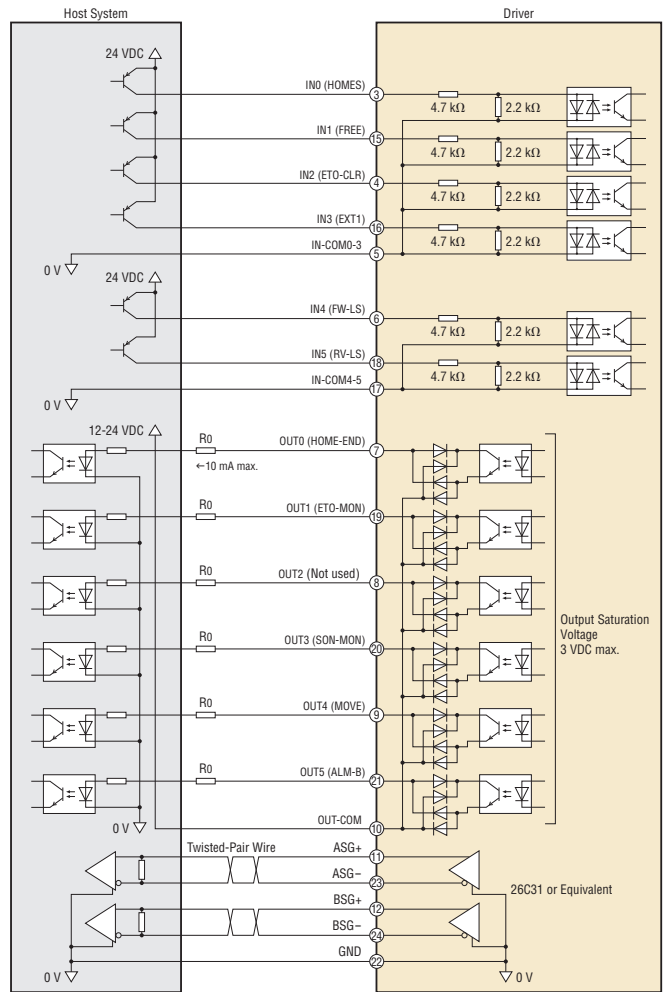
● Connection Diagrams

◇ EtherCAT-Compatible

● Diagram for Connection with Current Sink Output Circuit



● Diagram for Connection with Current Source Output Circuit

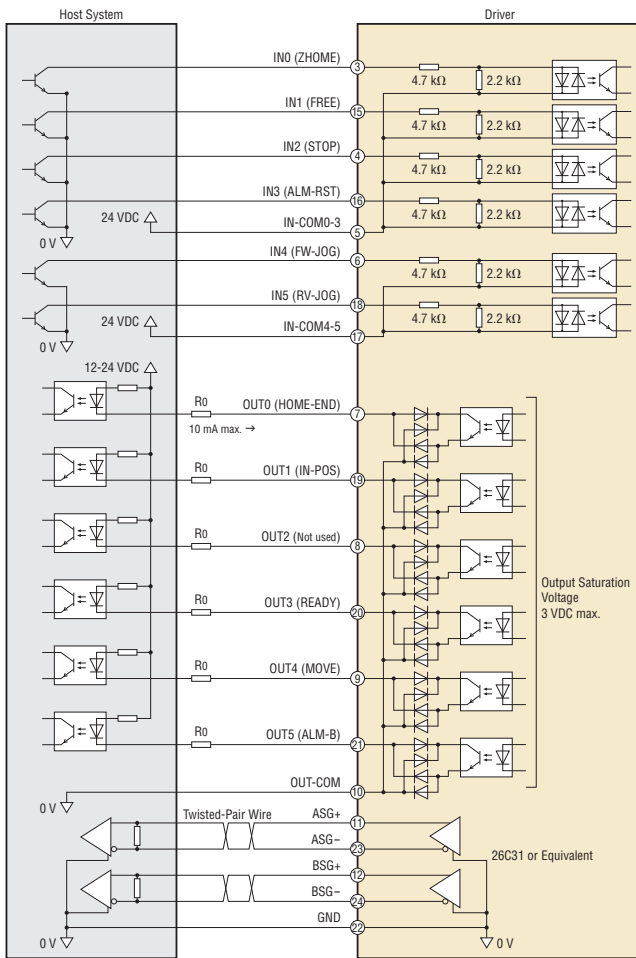


Note

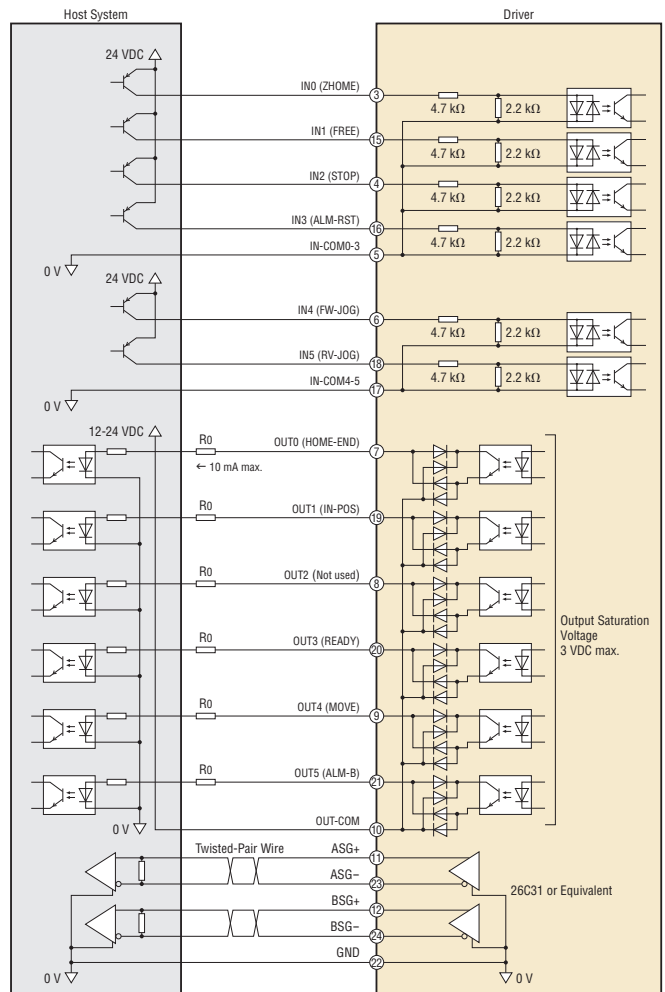
- Use 24 VDC for the input signals.
- Use output signal at 12~24 VDC 10 mA or less. When the current value exceeds 10 mA, connect an external resistor R0 to reduce the current to 10 mA or less.
- Provide a distance of 200 mm or more between the signal lines and power lines (power supply lines, motor lines).
Do not run the signal lines in the same piping as power lines or bundle them with power lines.
- If noise generated by the motor cable or power supply cable causes a problem with the specific wiring or layout, shield the cable or use ferrite cores.

◇ EtherNet/IP-Compatible

● Diagram for Connection with Current Sink Output Circuit



● Diagram for Connection with Current Source Output Circuit



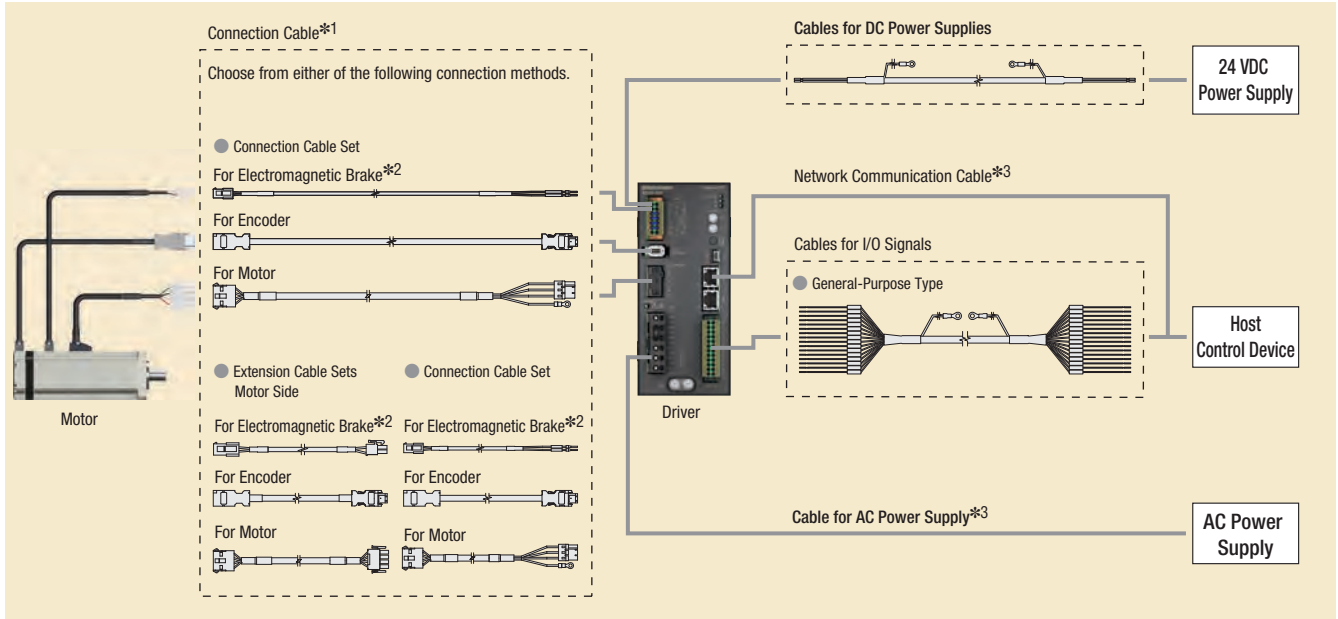
Note

- Use 24 VDC for the input signals.
- Use output signal at 12~24 VDC 10 mA or less. When the current value exceeds 10 mA, connect an external resistor R0 to reduce the current to 10 mA or less.
- Provide a distance of 200 mm or more between the signal lines and power lines (power supply lines, motor lines).
Do not run the signal lines in the same piping as power lines or bundle them with power lines.
- If noise generated by the motor cable or power supply cable causes a problem with the specific wiring or layout, shield the cable or use ferrite cores.

Cable

Cable System Configuration

Network Compatible Driver



*1 Flexible connection cable sets and flexible extension cable sets with excellent durability are also available.

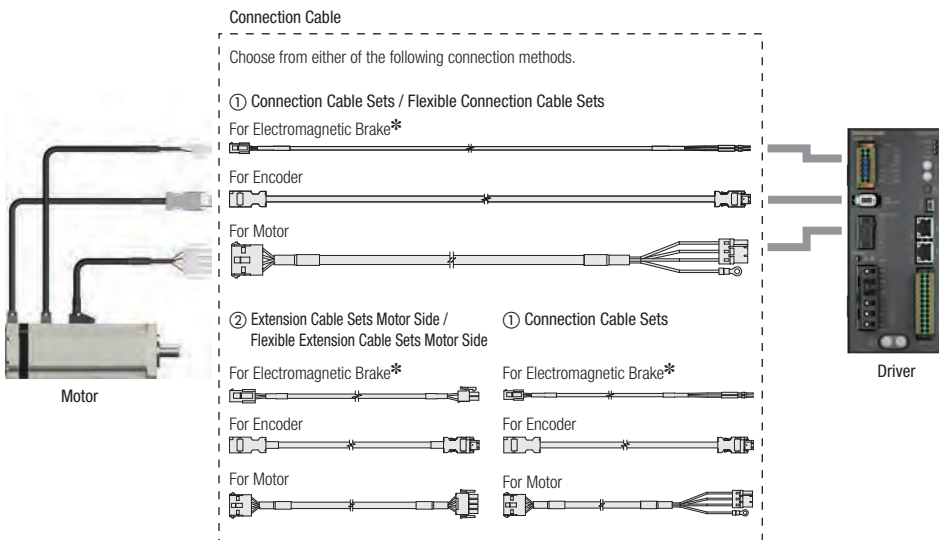
*2 Required for motors with an electromagnetic brake.

*3 Not supplied.

Note

- Up to 3 cables can be used to connect the motor and driver.
- The maximum extension distance between the motor and driver is 20 m.
- The motor cable and electromagnetic brake cable from the motor cannot be connected directly to the driver. When connecting to a driver, use a connection cable.

Connection Cable



*Required for motors with an electromagnetic brake.

Note

- Up to 3 cables can be used to connect the motor and driver.
- The maximum extension distance between the motor and driver is 20 m.

① Connection Cable Sets / Flexible Connection Cable Sets

This is a connection cable set used to connect the motor and the driver. Use a flexible extension cable set in applications where the cable is bent and flexed repeatedly. The motor cable and electromagnetic brake cable from the motor cannot be connected directly to the driver. When connecting to a driver, use a connection cable.

● Product Line

◇ Connection Cable Set

· For Motor / Encoder



● For Motor / Encoder

Length L [m]	Product Name
1	CC010VXF
2	CC020VXF
3	CC030VXF
5	CC050VXF
7	CC070VXF
10	CC100VXF
15	CC150VXF
20	CC200VXF

· For Motor / Encoder / Electromagnetic Brake



● For Motor / Encoder / Electromagnetic Brake

Length L [m]	Product Name
1	CC010VXFB
2	CC020VXFB
3	CC030VXFB
5	CC050VXFB
7	CC070VXFB
10	CC100VXFB
15	CC150VXFB
20	CC200VXFB

◇ Flexible Connection Cable Sets

· For Motor / Encoder



● For Motor / Encoder

Length L [m]	Product Name
1	CC010VXR
2	CC020VXR
3	CC030VXR
5	CC050VXR
7	CC070VXR
10	CC100VXR
15	CC150VXR
20	CC200VXR

· For Motor / Encoder / Electromagnetic Brake



● For Motor / Encoder / Electromagnetic Brake

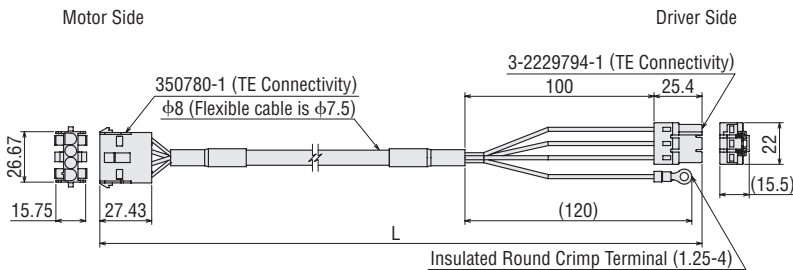
Length L [m]	Product Name
1	CC010VXRB
2	CC020VXRB
3	CC030VXRB
5	CC050VXRB
7	CC070VXRB
10	CC100VXRB
15	CC150VXRB
20	CC200VXRB

● Note on use of flexible cables → Page 26

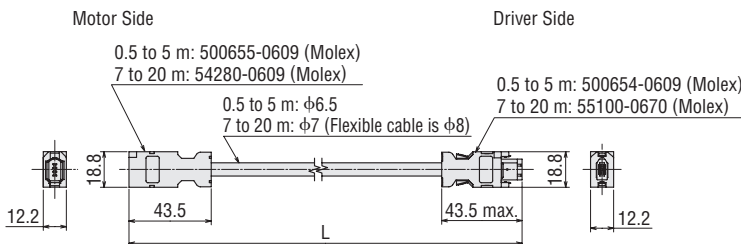
● Note on use of flexible cables → Page 26

● Dimensions (Unit = mm)

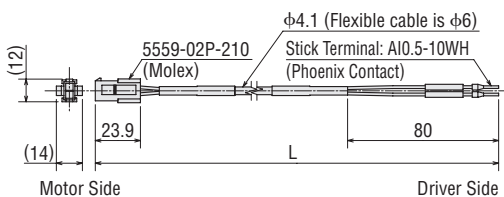
◇ Cable for Motor



◇ Cable for Encoder



◇ Cable for Electromagnetic Brake



② Extension Cable Set - Motor Side / Flexible Extension Cable Set - Motor Side

This is a cable to extend the connection cable to the motor. When using an extension, the total length of the cable must be less than 20 m. Use the flexible extension cable set in applications where the cable is bent and flexed repeatedly.

● Product Line

◇ Extension Cable Sets

· For Motor / Encoder



● For Motor / Encoder

Length L [m]	Product Name
1	CC010VXFT
2	CC020VXFT
3	CC030VXFT
5	CC050VXFT
7	CC070VXFT
10	CC100VXFT
15	CC150VXFT

· For Motor / Encoder / Electromagnetic Brake



● For Motor / Encoder / Electromagnetic Brake

Length L [m]	Product Name
1	CC010VXFBT
2	CC020VXFBT
3	CC030VXFBT
5	CC050VXFBT
7	CC070VXFBT
10	CC100VXFBT
15	CC150VXFBT

◇ Flexible Extension Cable Sets · For Motor / Encoder



● For Motor / Encoder

Length L [m]	Product Name
1	CC010VXRT
2	CC020VXRT
3	CC030VXRT
5	CC050VXRT
7	CC070VXRT
10	CC100VXRT
15	CC150VXRT

· For Motor / Encoder / Electromagnetic Brake



● For Motor / Encoder / Electromagnetic Brake

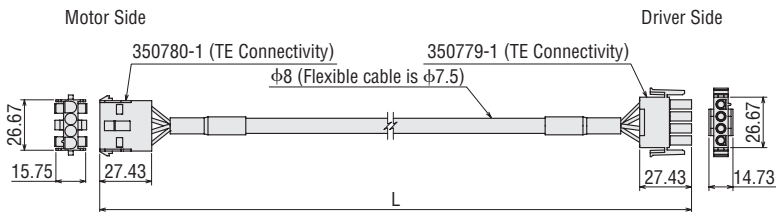
Length L [m]	Product Name
1	CC010VXRBT
2	CC020VXRBT
3	CC030VXRBT
5	CC050VXRBT
7	CC070VXRBT
10	CC100VXRBT
15	CC150VXRBT

● Note on use of flexible cables → Page 26

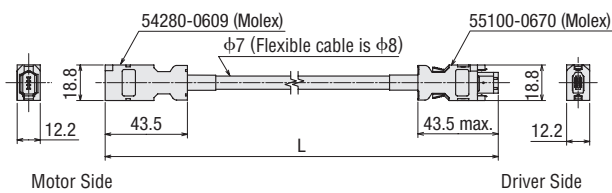
● Note on use of flexible cables → Page 26

● Dimensions (Unit = mm)

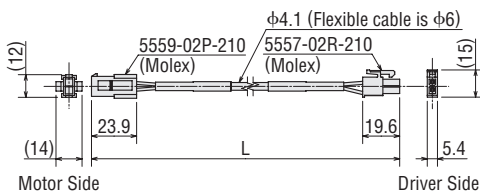
◇ Cable for Motor



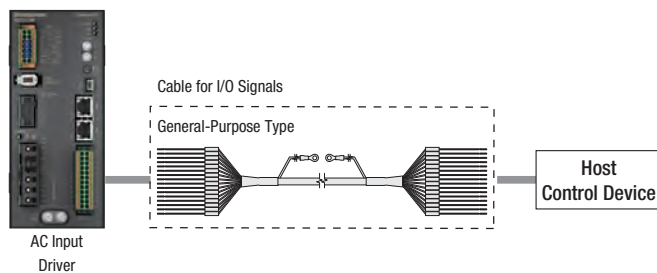
◇ Cable for Encoder



◇ Cable for Electromagnetic Brake



Cable for I/O Signals



General-Purpose Type

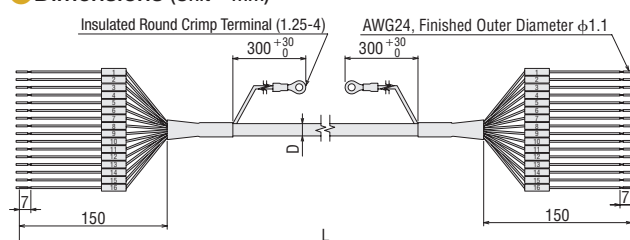
- Multi-core Shielded Cable
- Unbundled wires on both ends
- Easy shield grounding using ground wire with a round terminal
- The number of lead wire cores can be selected to suit the functions that will be used



Product Line

Product Name	Length L [m]	Number of Lead Wire Cores	Outer Diameter D [mm]	AWG
CC06D005B-1	0.5	6	φ5.4	24
CC06D010B-1	1			
CC06D015B-1	1.5			
CC06D020B-1	2			
CC10D005B-1	0.5	10	φ6.7	
CC10D010B-1	1			
CC10D015B-1	1.5			
CC10D020B-1	2			
CC12D005B-1	0.5	12	φ7.5	
CC12D010B-1	1			
CC12D015B-1	1.5			
CC12D020B-1	2			
CC16D005B-1	0.5	16	φ7.5	
CC16D010B-1	1			
CC16D015B-1	1.5			
CC16D020B-1	2			

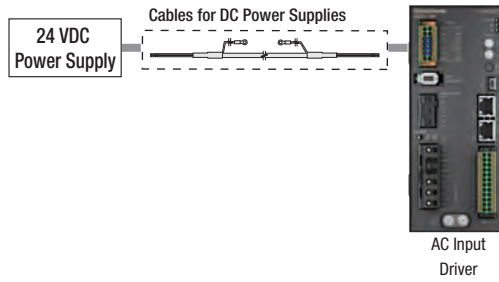
Dimensions (Unit = mm)



● The figure depicts 16 core wires.

Cables for DC Power Supplies

These cables are used to connect the driver and the DC power supply.

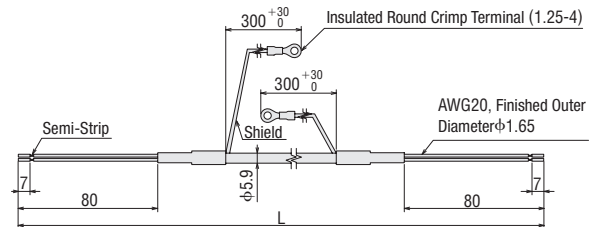


Product Line

Product Name	Length L [m]
CC02D005-3	0.5
CC02D010-3	1
CC02D015-3	1.5
CC02D020-3	2
CC02D050-3	5



Dimensions (Unit = mm)



Note on Use of Cables

Note when Connecting Connectors

When inserting or removing connectors, always hold the connector.

Pulling on the cable may result in connection faults.

◇ When Inserting the Connector

Hold the connector body and insert as straight as possible.

If the connector is angled while inserted, it may result in damage to the terminals or connection faults.

◇ When Removing the Connector

Disengage the connector's lock and pull straight out.

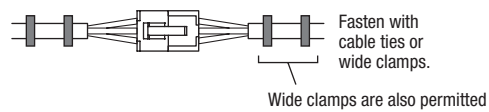
If the connector is disengaged by pulling the cable, it may result in damage to the connector.

Notes on Routing of Flexible Cables

Do not bend the cable at the connector. This will apply stress to the connector and the terminal, and may result in connection faults or disconnections.

◇ Cable Fixing Method

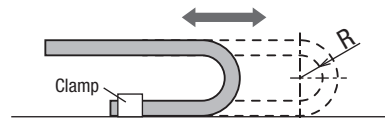
Please fix in 2 locations to prevent movement of the connector.



◇ Cable Routing Length and Bend Radius

When routing cables, use an appropriate length that prevents pulling when the cable is moved.

The bend radius must be at least 6 times the cable diameter



◇ Cable Interference

When routing cables inside a cable holder, ensure that the cables do not interfere with each other. This will apply stress to the connector and the terminal, and may result in premature disconnection. Please carefully check the cautions when using cable holders.

◇ Twisting of Cables

Route the cables so that they do not become twisted. Premature wire breaking may occur if they are bent while twisted.

After routing the wires, use the markings on the surface of the cable to ensure that the cables are not twisted.

Peripheral Equipment

Regeneration Unit

The regenerative power generated by the motor may exceed the driver's regenerative power absorption capacity. In such case, a regeneration unit is connected to the driver to dissipate the regenerative power.

<Conditions in Which a Regeneration Unit is Likely Required>

- Vertical drive
- Acceleration or deceleration with an inertial load installed



Product Name
RGB200

Specifications

Item	Description
Continuous Regenerative Power	200 W
Resistance Value	50 Ω
Thermal Protector Operating Temperature	Operation: 175±5°C Return: 115±15°C (Normally closed)
Thermal Protector Electrical Rating	227 VAC 8 A 115 VAC 22 A

- Install the regeneration unit in a place that has the same heat radiation capability as the heat sink (material: aluminum, 350×350 mm, 3 mm thick).

Connector Cover

<Application Example>

This is a resin cover for protecting and securing the connected connector part of the cable.

- Protection level equivalent to IP20
- It can be installed after connecting the motors and drivers.
- It is a structure to secure cables and protect lead wires.
- It can be attached to the equipment using two mounting holes (φ4.5).



Material: Polyamide

Product Name
MAC-D*
MAC-D02

*Excluding encoder cable and motor cable

Orientalmotor

These products are manufactured at plants certified with the international standards **ISO 9001** (for quality assurance) and **ISO 14001** for systems of environmental management).

Specifications are subject to change without notice. This catalogue was published in January 2024.

ORIENTAL MOTOR (EUROPA) GmbH

European Headquarters

Schiesstraße 44
40549 Düsseldorf, Germany
Tel: 0211 5206700 Fax: 0211 52067099

Spanish Office

C/Caléndula 93 - Ed. E - Miniparc III
28109 El Soto de La Moraleja,
Alcobendas (Madrid), Spain
Tel: +34 918 266 565

ORIENTAL MOTOR (UK) LTD.

UK Headquarters

Unit 5, Faraday Office Park,
Rankine Road, Basingstoke,
Hampshire RG24 8AH, U.K.
Tel: +44 1256 347090 Fax: +44 1256 347099

ORIENTAL MOTOR SWITZERLAND AG

Switzerland Headquarters

Badenerstrasse 13
5200 Brugg AG, Switzerland
Tel: +41 56 560 50 45 Fax: +41 56 560 50 47

ORIENTAL MOTOR ITALIA s.r.l.

Italy Headquarters

Via XXV Aprile 5
20016 Pero (MI), Italy
Tel: +39 2 93906346 Fax: +39 2 93906348

ORIENTAL MOTOR (FRANCE) SARL

France Headquarters

56, Rue des Hautes Pâtures
92000 Nanterre, France
Tel: +33 1 47 86 97 50 Fax: +33 1 47 82 45 16

Customer Service Center

(Support in German & English)

00800 22 55 66 22*

Mon-Thu: 08:00 - 16:30 CET

Friday: 08:00 - 15:00 CET

*Free Call Europe

info@orientalmotor.de

WWW.ORIENTALMOTOR.EU

EN | DE | UK | IT | FR | ES