

New

# Compact DC Solenoids

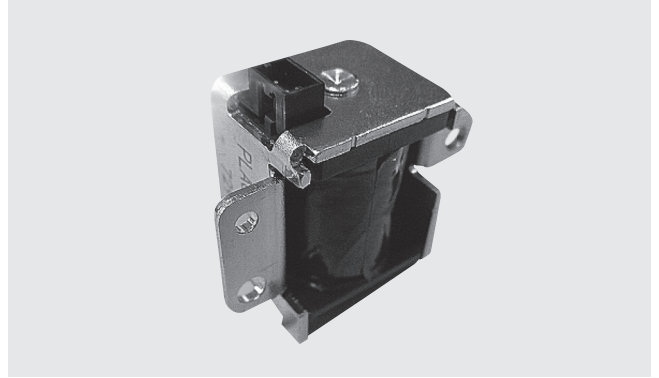
# PLA002-1000

## FEATURES

- Compact
- Provided with connector terminals for easy connection

## APPLICATIONS

- Game machines
- Others



## PART NUMBER DESIGNATION

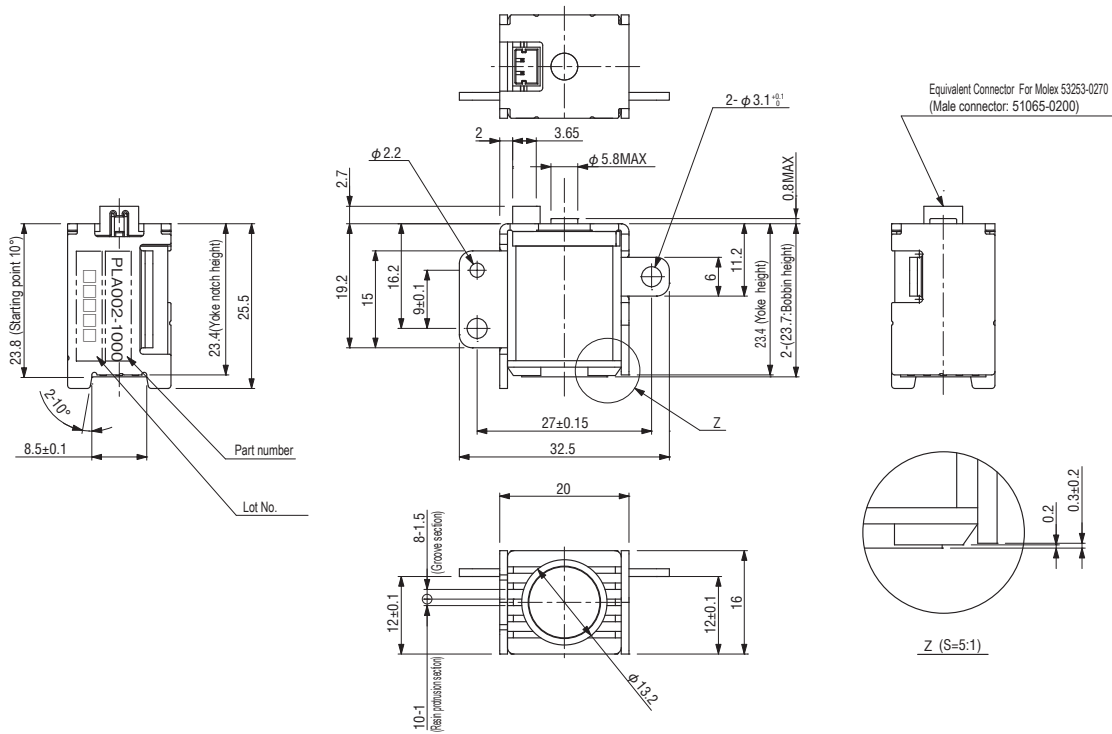
PLA002 - 1000

Series name

Dash number

## OUTLINE DIMENSIONS

Unless otherwise specified tolerance:  $\pm 0.5$  (Unit: mm)



Lot production is required. Please consult us for ordering.

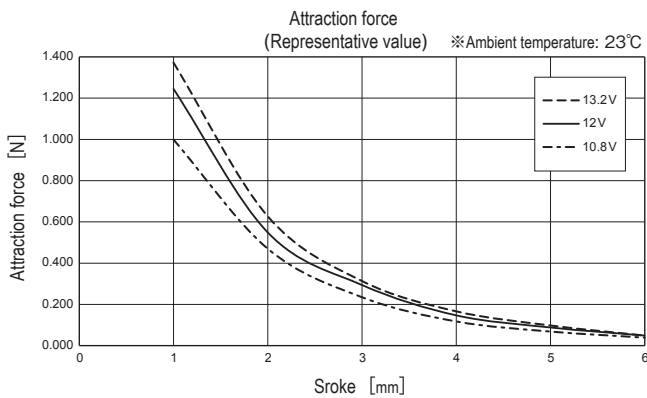
# PLA002-1000

## DC SOLENOIDS

### STANDARD SPECIFICATIONS

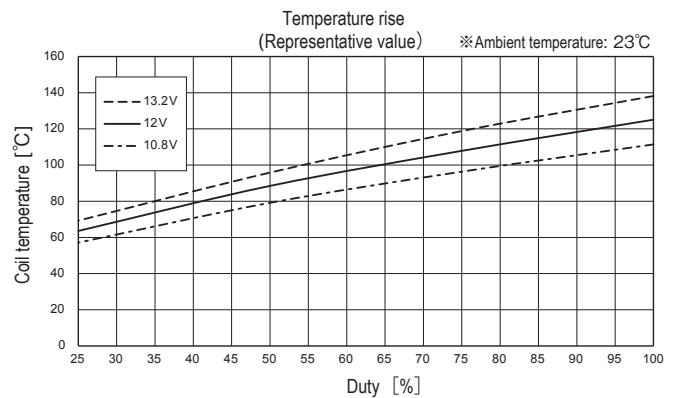
Item	PLA002-1000	Remarks
Winding resistance	35 Ω ±10%	Ambient temperature 23 °C
Input rating	4.12 W (Central value)	
Voltage	12 V DC	Operating voltage range 10.8 V DC ~ 13.2 V DC
Current	343 mA (Central value)	
Attraction force	0.35 N Min.	12 V DC, Stroke 2 mm, Cold starting
Temperature increase	Coil temperature less than 120 °C	12 V DC, Duty75% (Refer to Temperature characteristics)
Insulation resistance	30 MΩ Min.	500 V DC (Between frame and coil terminals)
Withstand voltage	600 V AC	50 Hz, 1second, Leak current 1mA Max.
Residual magnetism	Standard test piece self-weight drop	12 V DC, ON 1second OFF 1second After repeating the 10 times
Storage temperature range	0 ~ +55 °C	
Net weight	Approx. 30 g	

### ATTRACTION FORCE CHARACTERISTICS(Reference values)



Suction device(standard test piece: iron plate 7 × 26 × 1 mm)  
Cold starting  
These performance curves show actual value, not guaranteed value.  
The value of attractive force does not include the influence of the product attraction quality.  
If the suction device is down, subtract the net weight of suction device from the attraction force.  
If the suction device is upwards, add the attraction force to net weight of suction device.

### TEMPERATURE CHARACTERISTICS(Reference values)



The saturation temperature of the coil is that the interruption time is set after 10 seconds of continuous electricity, and the continuous electricity and interruption are repeated.  
ex.1) Duty75% is The continuous electricity for 10 seconds, interruption time is about 3.3 seconds  
ex.2) Duty100% is No interruption time, Continuous energization.  
Use the coil temperature less than 120 °C.  
These performance curves show actual value, not guaranteed value.