

GML

As 12-volt and 24-volt motor with Interference suppression and hall sensors



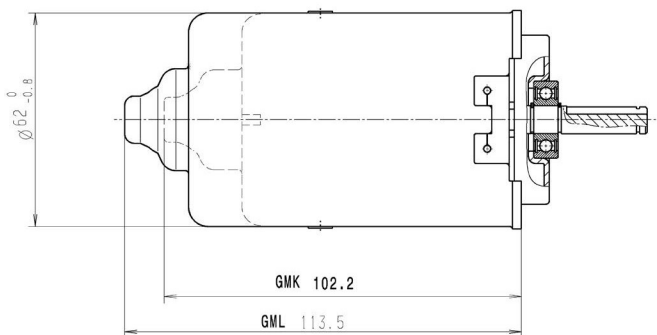
Technical description

Motor housing	deep drawn & corrosion protection
Magnetic field	Permanent magnet
Type of transmission	—
Transmission housing	—
Gearwheel material	—
Transmission lubrication	—
Mechanical interface	Drive shaft
Electrical interface	Stranded wires with plug
Sensor	—
Thermal protection	Optional
Interference suppression	Optional

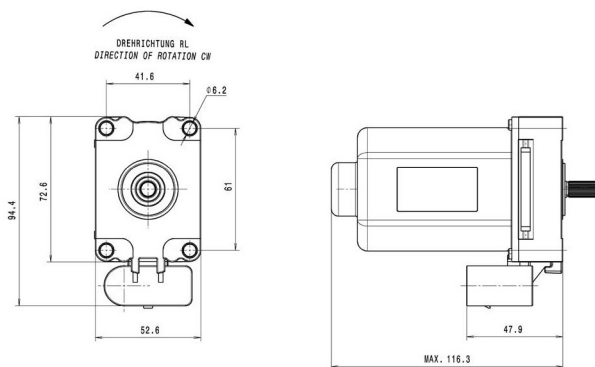
Applications

- Industry**
- Linear drives**
- Automobile**
- Electric torque management, automated manual transmission**

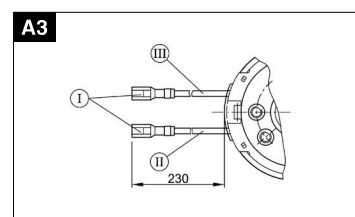
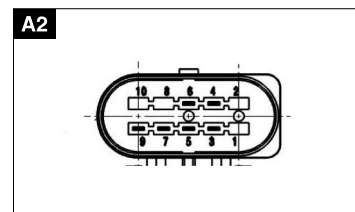
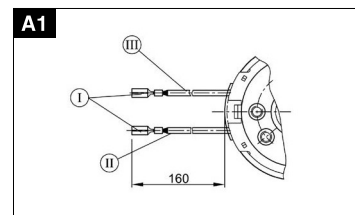
GMK / GML



405 084



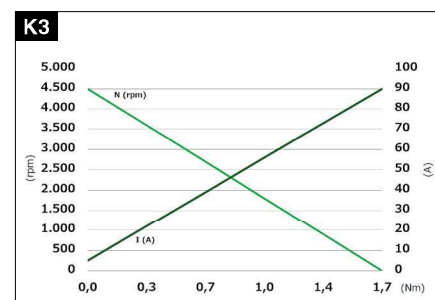
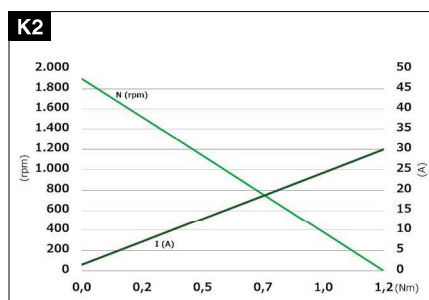
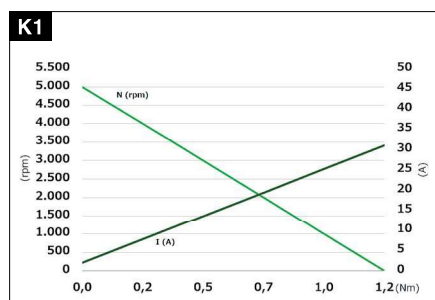
Connections



Overview

Type	Nominal voltage	Max. torque	Idle speed	Nominal output	Nominal current	No-load current	Max. power	Hall sensors	Gear reduction	Gearwheel material	Thermal switch	Interference suppression	Transmission housing	Characteristic curve	Shaft	Electrical connection
	V	Nm	min ⁻¹	W	A	A	A	N/1/2	xx:x	D/M	J/N	J/N	lh/rh	K	W	A
404 382 GMK	24.0	1.2	5000.0	199.0	8.3	2.0	31.3	N	---	---	N	J	---	K1	W1	A1
405 084 GMK	12.0	1.7	4500.0	269.0	22.4	5.0	89.5	2	---	---	N	J	---	K3	W2	A2
404 621 GML	12.0	1.2	1900.0	148.0	12.3	1.5	29.8	N	---	---	N	J	---	K2	W3	A3

Characteristic curves



Shafts

