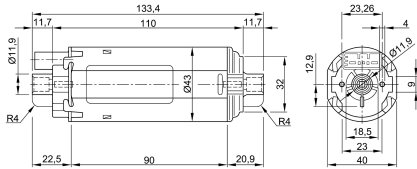


Design Data	
Commutation	brushed
Direction of rotation	bidirectional
Bearing Type	A:Sleeve - B:Sleeve

Performance data		
Nominal Voltage [V]	U_N	12
Nominal Torque [Nm]	M_N	0,10
Nominal Speed [min^{-1}]	n_N	2.025
Nominal Power [W]	P_N	21,2
Nominal current [A]	I_N	3,0
Nominal force [kN]	F_N	0,00
Duty cycle	s3	

0220 F



Sensor data	
Pulses	0
Output channels	0

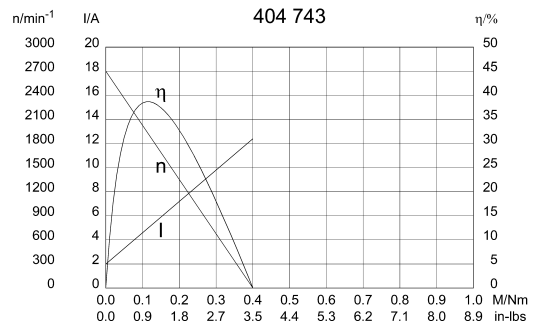
Other data	
Gear ratio	
Gear wheel material	
Suppression components	2,5 μ H, 47nF ()
Enclosure class	IP 40
Weight [kg]	0,560

Remarks:

Motor picture

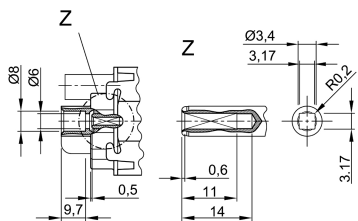


Characteristic Curves

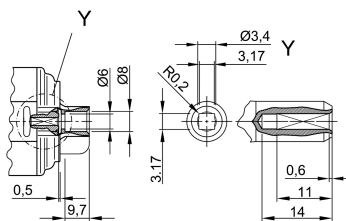


Output shaft drawing (W), Wiring diagrams (S) and Connector layout (K)

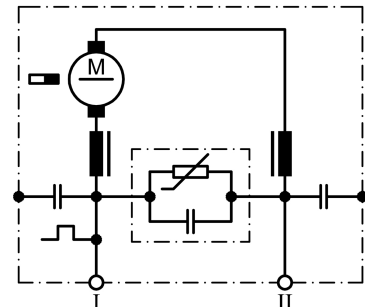
W 266



W 267



S 93



I Terminal 1
II Terminal 5

