

# Series 0270 (SWMK)

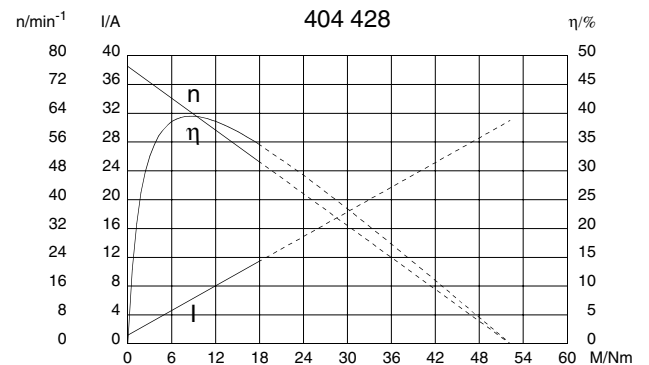
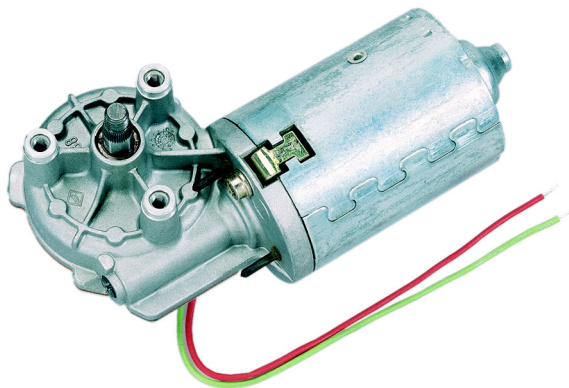
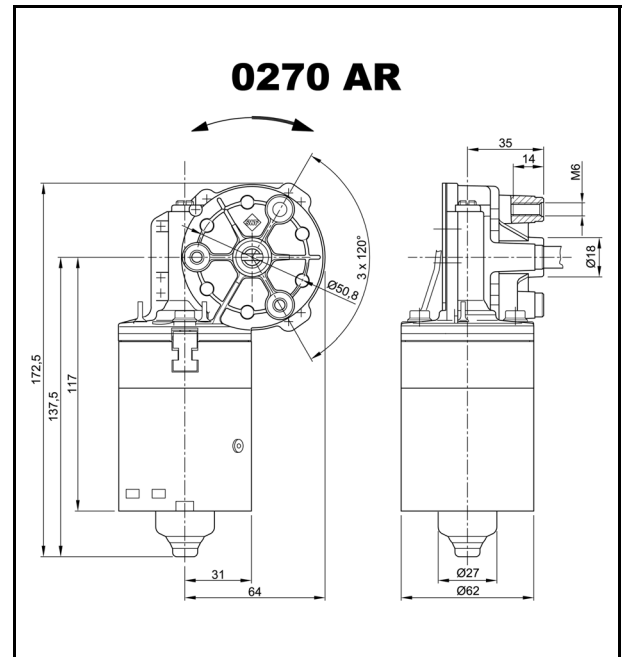
**Valeo**

MOTORS & ACTUATORS

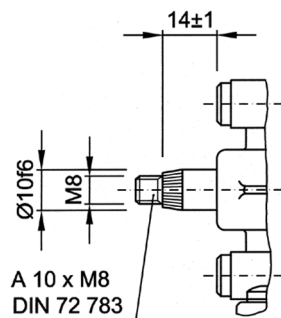
## Motor type 404 428

### Technical Data

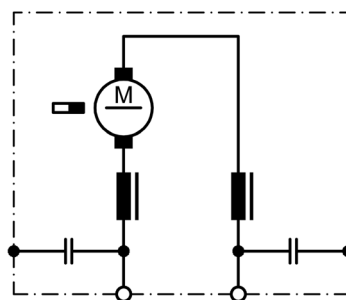
Rated voltage	$U_N$	[Volt]	24
No-load speed	$n_0$	[min <sup>-1</sup> ]	77
Nominal torque	$M_N$	[Nm]	4,00
ON time		%	
ON		[min]	
Starting torque	$M_A$	[Nm]	52,20
Gear ratio	$i$		55/1
Armature resistance, 2 bars	$R$	[m $\Omega$ ]	450,00
4 bars	$R$	[m $\Omega$ ]	300,00
Armature inductance, 2 bars	$L$	[mH]	1,00
4 bars	$L$	[mH]	0,90
Armature load inertia	$J_R$	[kgm <sup>2</sup> ] $\times 10^{-6}$	53,00
Gear wheel material			plastic
Hall IC			
Pulses/rev. drive shaft			
Output channels			
Remarks			
Enclosure class			IP 30
Weight		[kg]	1,200



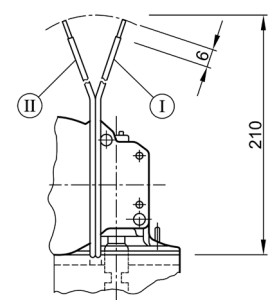
### W 205



### S 30



### K 178



I red  
II green