

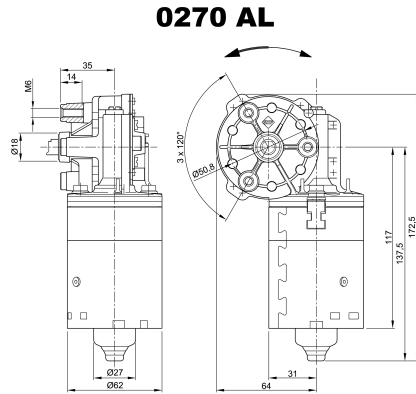
Design Data	
Commutation	Brushed
Direction of rotation	Bi-directional
Bearing type	

Performance data		
Rated voltage [V]	$U_N$	24
Nominal torque [Nm]	$M_N$	1.00
No-load speed [ $\text{min}^{-1}$ ]	$n_0$	280.0
Nominal power [W]	$P_N$	24.9
Nominal current [A]	$I_N$	4.0
Nominal force [kN]	$F_N$	0.00
Duty cycle	s1	

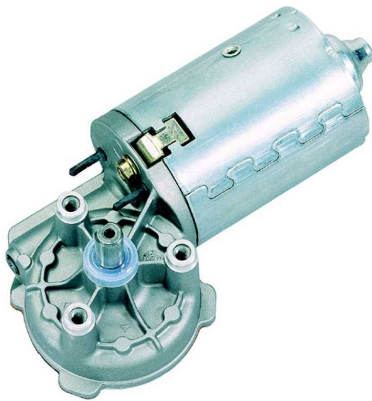
Sensor data	
Pulses	0
Output channels	0

Other data	
Gear ratio	41/4
Gear wheel material	Plastic
Suppression components	
Enclosure class	IP30
Weight [kg]	1.200

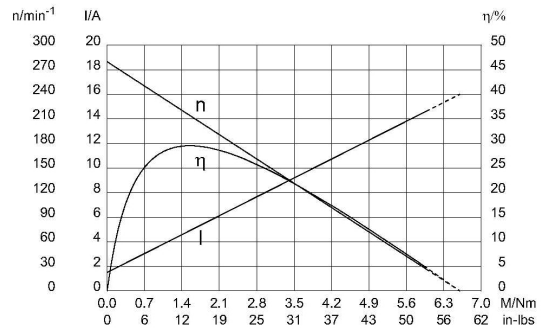
Remarks:



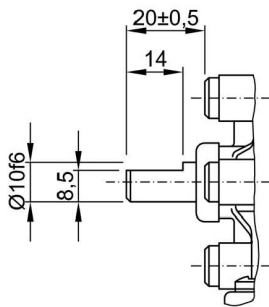
### Motor picture



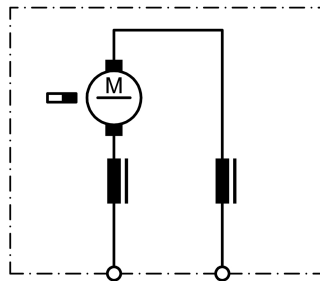
### Characteristic curves



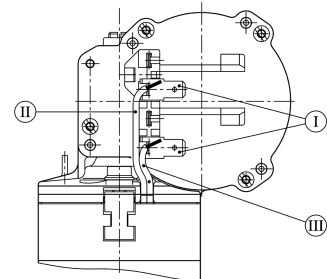
### Output shaft drawing (W), Wiring diagrams (S) and Connector layout (K)



### S 27



### K 42



- I Blade terminal ends  
6,3 x 0,8 DIN 46 244
- II green
- III red