

Design Data	
Commutation	Brushed
Direction of rotation	Bi-directional
Bearing type	A: Ball - B: Sleeve

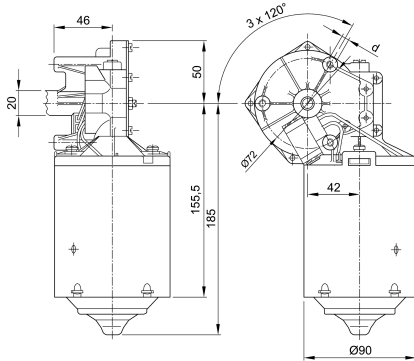
Performance data		
Rated voltage [V]	U_N	24
Nominal torque [Nm]	M_N	8.00
No-load speed [min^{-1}]	n_0	47.0
Nominal power [W]	P_N	34.9
Nominal current [A]	I_N	11.0
Nominal force [kN]	F_N	0.00
Duty cycle	s1	

Sensor data	
Pulses	0
Output channels	0

Other data	
Gear ratio	59/1
Gear wheel material	Bronze
Suppression components	5.0 μ H
Enclosure class	IP20
Weight [kg]	2.900

Remarks:

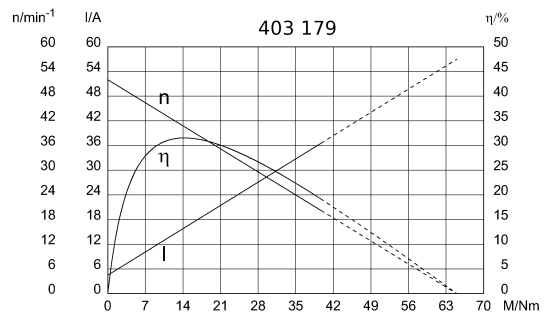
0291 AL



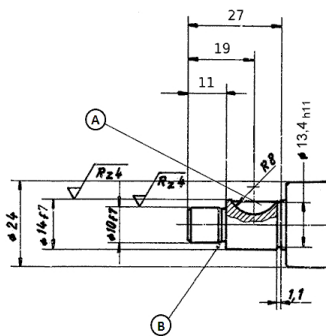
Motor picture



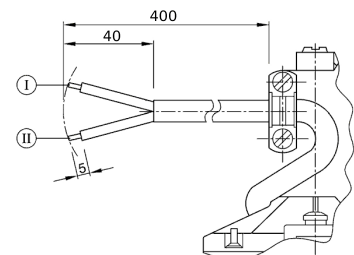
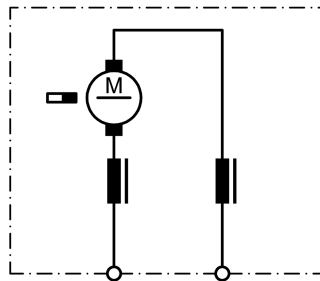
Characteristic curves



Output shaft drawing (W), Wiring diagrams (S) and Connector layout (K)



S 27



A: keyway 5 - P9 width tolerance
 B: undercut E 0.6 x 0.2 to DIN 509

I: red
 II: green