

433-414

Componenti di supporto / Conveyor support components / Stützelemente

Materiale / Material / Materialien:

Giunto: Poliammide / Joint: Polyamide / Verbinder: Polyamid

Viti e rondelle: Acciaio inox / Screws and washers: Stainless steel / Schrauben und Scheibe: Edelstahl

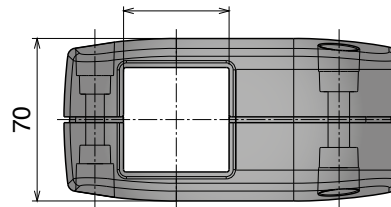
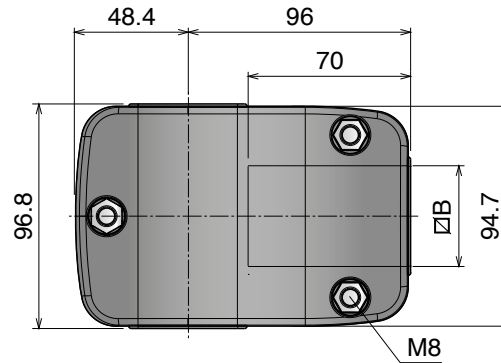
Inserti e dadi: Acciaio inox / Inserts nuts: Stainless steel / Mutter: Edelstahl

NEW 433

Giunto di collegamento per tubi quadrati

Connecting joint for square tubes / Verbindungselement für vierkant Rohre

Delivery: **Easy** Standard



Part	Article-Nr.	∅A	∅B
433	43301	30	30
433	43302	40	40
433	43303	45	45
433	43304	50	50

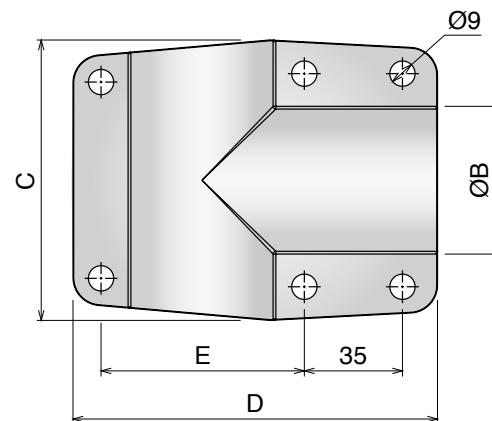
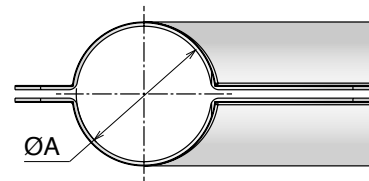
414

Giunto di collegamento (acciaio inox)

Connecting joint (SS) / Verbindungselement (Edelstahl)

Stainless Steel | AISI 304

Delivery: **Easy** Standard Max recommended tightening torque 2,5 kgm



Part	Article-Nr.	∅A	∅B	C	D	E
414	41401	48,3	48,3	100	130	72,5
414	41402	60,3	60,3	110	150	92,5

