

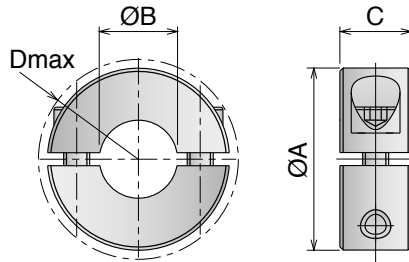
NEW

218

Collare di riferimento in acciaio
Stainless steel split collar / Geteilter Stelling, Edelstahl

Stainless Steel | AISI 304

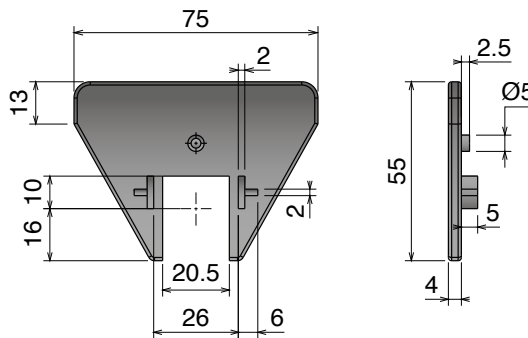
Delivery: **Easy** Standard



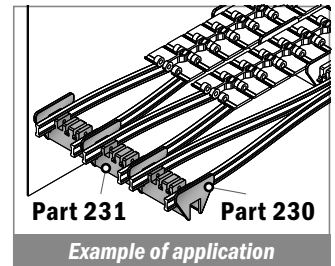
Part	Article-Nr.	ØA	ØB	C	Dmax
218	21801	18	8	9	22,4
218	21802	24	10	9	26
218	21803	28	12	11	31,8
218	21804	34	16	13	39,4
218	21805	36	18	13	41,1
218	21806	40	20	15	46,4
218	21807	45	25	15	50,8
218	21808	54	30	15	58,6
218	21809	58	35	15	62
218	21810	60	40	15	65
218	21801Y	11/16	5/16	5/16	0.88
218	21802Y	7/8	3/8	11/32	1.02
218	21803Y	15/16	7/16	3/8	1.25
218	21804Y	1-1/8	1/2	13/32	1.25
218	21805Y	1-5/16	5/8	7/16	1.55
218	21806Y	1-1/2	3/4	1/2	1.83
218	21807Y	1-3/4	1	1/2	2.00
218	21808Y	2-1/16	1-1/4	1/2	2.31
218	21809Y	2-1/4	1-7/16	9/16	2.44
218	21810Y	2-3/8	1-1/2	9/16	2.56

230

Piastrina
Spacer / Führungsscheiben



Part	Article-Nr.
230	23001



231

Distanziale per serpentina
Spacer for serpentine / Montageblock

Part	Article-Nr.	W
231	23101	84
231	23102	88
231	23103	108
231	23104	116

