



Torque Range

5.000 Nm ... 42.000 Nm

Line rope range

35.000 N to 170.000 N

Gear Ratios

21 ... 108

Key Features

- Rotating housing flange
- Rugged construction
- High torque capacity
- High load capacity
- Freewheel for antirun-back device, as an optional.

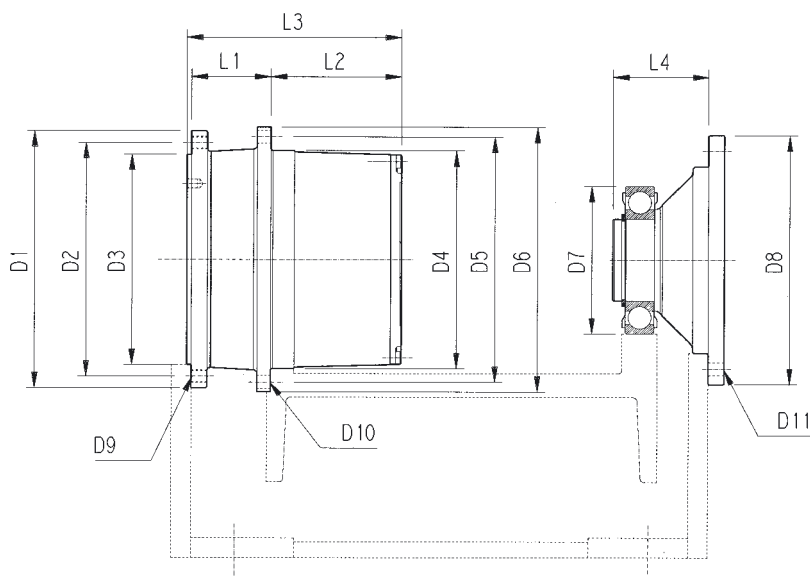
Applicable hydraulic motors

- Flanged axial piston motors
- Orbit motors

Brake

Hydraulically released parking brake on request

Type	Max. Torque Nm	Max. line rope N	Range of ratios 1:	Max. input speed min ⁻¹	Braking torque Nm	Min. opening pressure bar	Weight Kg
805 W2	5000	35000	22 - 53	3000	500 - 750	15 - 25	70
806 W2	10000	50000	30 - 44	3000	700 - 1000	15 - 25	95
810 F2	17500	85000	21 - 46	3000	800 - 1200	15 - 25	160
811 W2	27000	120000	42	2500	900 - 1300	15 - 25	270
813 W3	42000	170000	60 - 108	2500	900 - 1300	15 - 25	310



Type	Dimensions															
	D1	D2	D3	D4	D5	D6	D7	D8	D9	D10	D11	L1	L2	L3	L4	
805 W2	265	240	215	225	250	270	140	210	M 12x1.75 n° 16	ø 13 n° 16	ø 13 n° 8	75	158	250	95	
806 W2	330	300	270	280	315	340	140	210	M 16x2 n° 12	ø 17 n° 12	ø 13 n° 8	100	165	280	95	
810 F2	270	240	215	350	375	410	190	320	M 16x2 n° 18	ø 13 n° 24	ø 19 n° 12	25	310	360	110	
811 W2	420	325	280	410	455	490	190	320	M 20x2.5 n° 21	ø 22 n° 24	ø 19 n° 12	110	260	390	110	
813 W3	420	325	280	410	455	490	190	320	M 20x2.5 n° 21	ø 22 n° 24	ø 19 n° 12	110	275	405	110	

HEADQUARTERS

BONFIGLIOLI RIDOTTORI
Via Giovanni XXIII, 7/A
40012 Lippo di Calderara di Reno
Bologna (ITALY)
Tel. (+39) 051 6473111
Fax (+39) 051 6473126
www.bonfiglioli.com

SALES DEPARTMENT

BONFIGLIOLI RIDOTTORI S.p.A.
Via Enrico Mattei, 12 - Z.I. Villa Selva
47100 Forlì (ITALY)
Tel. (+39) 0543 789111
Fax (+39) 0543 789242 - 0543 789245
trasmital@bonfiglioli.com



BONFIGLIOLI