



## 600W2/3 series Wheel drives

### Gear shift final drive LO-HI Speed.

This gear shift final drive is specifically designed for wheeled and tracked machines featuring a significantly different travel/operating speed ratio.

The product is the ideal solution for road paving machines, construction equipment, as well as agricultural and forestry machines.



Type	Torque [Nm]	
606W2/3	15000	
610W2/3		40000



### Torque Range

15000 Nm - 40000 Nm

### Gear Ratios

LO speed: 71 87 85 104 141,3

HI speed: 20.5 20.5 24.5 24.5 24.5

### Key Features

Dual gear ratio, hydraulic Lo-Hi speed shifting

Rotating housing

Rugged design

High torque capacity

High load capacity

Mechanical lifetime seals

Compact design

Hydraulically operated multidisc clutches, allowing both speed shifting and brake

### Applicable motors

Cartridge axial piston hydraulic motors

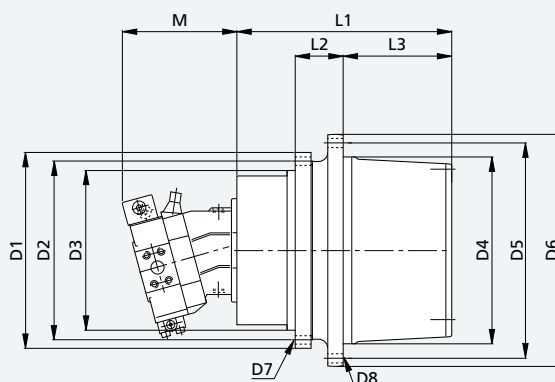
### Brake

Hydraulically released multidisc type

Parking braking

Emergency braking

Type	Max. input speed	Max. output speed	Dynamic & emergency braking torque	Braking torque	Brake and clutch release pressure	Weight	Oil quantity
	rpm	rpm	Nm	Nm	bar	Kg	L
606W2/3	3500	140	20000	400	20 ÷ 40	180	2.5
610W2/3	3000	120	30000	550	20 ÷ 40	200	3



Type	D1	D2	D3	D4	D5	D6	D7	D8	L1	L2	L3
606W2/3	430	360	300	290	335	370	M16x2 n°16	M22x1.5 n°10	305	188	135
610W2/3	375	340	300	350	400	435	M20x2.5 n°16	M20x2.5 n°16	388	91	203