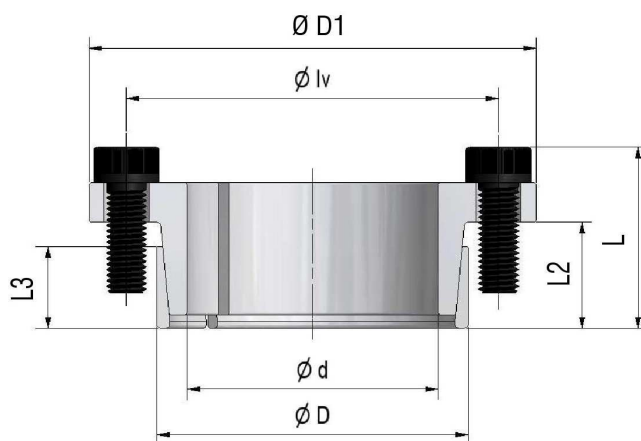


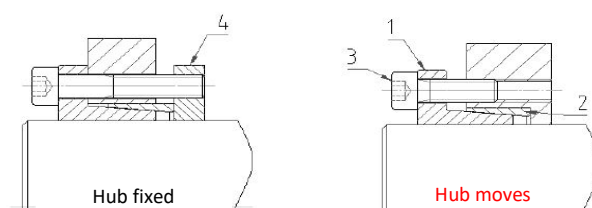
Locking Assembly MAV 7107

rev. 2



- Low torque capacity
- Low contact pressures
- Self-locking & self-centering
- Axial fixation of hub during tightening: yes / no
- Max tolerances: shaft h8; hub bore H8
- Shaft / hub bore surface finish: $0.8 \leq Ra \leq 3.2 \mu\text{m}$

If hub moves during tightening, performances & pressures increase of 58%



Ma: screw tightening torque
 Mt: transmissible torque (Fax=0)
 Fax: transmissible axial load (Mt=0)
 Ps: shaft pressure
 Ph: hub pressure

Example of order: MAV 7107 - 14 x 25 (d x D)

| DIMENSIONS | | | | | | | | SCREWS ISO 4762 - 12.9 | | PERFORMANCES | | | | WEIGHT |
|------------|---|----|------|----|----|------|------|---------------------------|----|--------------|-----|-----|-----|--------|
| d | x | D | D1 | lv | L3 | L2 | L | size | Ma | Mt | Fax | Ps | Ph | kg |
| mm | | mm | mm | mm | mm | mm | mm | | Nm | Nm | kN | MPa | MPa | |
| 14 | x | 25 | 42 | 33 | 16 | 20,5 | 30,5 | M 4 | 5 | 68 | 10 | 115 | 65 | 0,1 |
| 16 | x | 25 | 42 | 33 | 16 | 20,5 | 30,5 | M 4 | 5 | 78 | 10 | 101 | 65 | 0,1 |
| 18 | x | 25 | 42 | 33 | 16 | 20,5 | 30,5 | M 4 | 5 | 88 | 10 | 90 | 65 | 0,1 |
| 19 | x | 25 | 42 | 33 | 16 | 20,5 | 30,5 | M 4 | 5 | 92 | 10 | 85 | 65 | 0,1 |
| 20 | x | 30 | 50 | 39 | 16 | 20,5 | 31,5 | M 5 | 10 | 160 | 16 | 132 | 88 | 0,1 |
| 22 | x | 30 | 50 | 39 | 16 | 20,5 | 31,5 | M 5 | 10 | 180 | 16 | 120 | 88 | 0,1 |
| 24 | x | 30 | 50 | 39 | 16 | 20,5 | 31,5 | M 5 | 10 | 190 | 16 | 110 | 88 | 0,1 |
| 25 | x | 36 | 55 | 45 | 16 | 20,5 | 31,5 | M 5 | 10 | 200 | 16 | 106 | 73 | 0,2 |
| 28 | x | 36 | 55 | 45 | 16 | 20,5 | 31,5 | M 5 | 10 | 220 | 16 | 94 | 73 | 0,1 |
| 30 | x | 36 | 55 | 45 | 16 | 20,5 | 31,5 | M 5 | 10 | 240 | 16 | 88 | 73 | 0,1 |
| 32 | x | 42 | 62 | 51 | 16 | 20,5 | 31,5 | M 5 | 10 | 250 | 16 | 83 | 63 | 0,2 |
| 35 | x | 42 | 62 | 51 | 16 | 20,5 | 31,5 | M 5 | 10 | 280 | 16 | 75 | 63 | 0,2 |
| 36 | x | 42 | 62 | 51 | 16 | 20,5 | 31,5 | M 5 | 10 | 290 | 16 | 73 | 63 | 0,2 |
| 38 | x | 44 | 66 | 54 | 16 | 20,5 | 33,5 | M 6 | 17 | 420 | 22 | 97 | 84 | 0,2 |
| 40 | x | 48 | 70 | 58 | 16 | 20,5 | 33,5 | M 6 | 17 | 450 | 22 | 92 | 77 | 0,2 |
| 42 | x | 48 | 70 | 58 | 16 | 20,5 | 33,5 | M 6 | 17 | 470 | 22 | 88 | 77 | 0,2 |
| 45 | x | 55 | 82 | 67 | 20 | 25,5 | 42,5 | M 8 | 41 | 930 | 41 | 121 | 99 | 0,4 |
| 48 | x | 55 | 82 | 67 | 20 | 25,5 | 42,5 | M 8 | 41 | 990 | 41 | 114 | 99 | 0,4 |
| 50 | x | 62 | 89 | 74 | 20 | 25,5 | 42,5 | M 8 | 41 | 1.000 | 41 | 109 | 88 | 0,5 |
| 55 | x | 62 | 89 | 74 | 20 | 25,5 | 42,5 | M 8 | 41 | 1.100 | 41 | 99 | 88 | 0,5 |
| 60 | x | 72 | 98,5 | 84 | 20 | 26,5 | 43,5 | M 8 | 41 | 1.200 | 41 | 91 | 76 | 0,6 |
| 65 | x | 72 | 98,5 | 84 | 20 | 26,5 | 43,5 | M 8 | 41 | 1.300 | 41 | 84 | 76 | 0,5 |