

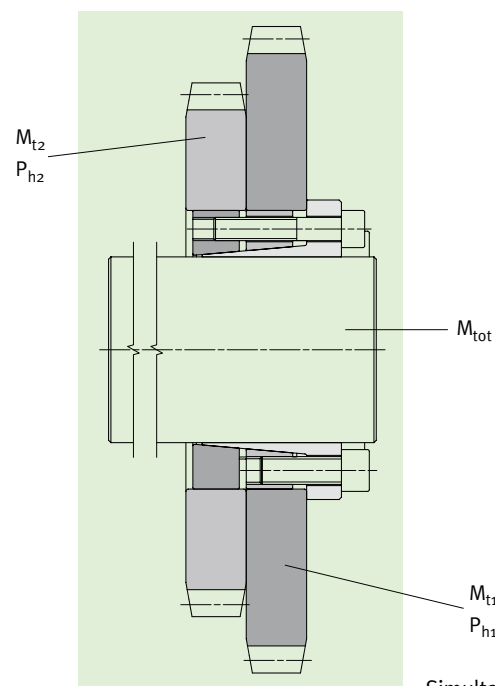
| DIMENSIONS | | | | | | | | SCREWS | | | |
|------------|---|-----|-----|----|-----|-----|-----|--------|-------|--------|-----|
| d | x | D | D1 | L3 | L2 | L1 | L | size 1 | Ma | size 2 | Ma |
| mm | | mm | mm | mm | mm | mm | mm | | Nm | | Nm |
| 30 | x | 60 | 66 | 15 | 36 | 48 | 56 | M 8 | 41 | M 6 | 17 |
| 32 | x | 65 | 71 | 15 | 36 | 48 | 56 | M 8 | 41 | M 6 | 17 |
| 35 | x | 65 | 71 | 15 | 36 | 48 | 56 | M 8 | 41 | M 6 | 17 |
| 38 | x | 70 | 76 | 15 | 36 | 48 | 56 | M 8 | 41 | M 6 | 17 |
| 40 | x | 70 | 76 | 15 | 36 | 48 | 56 | M 8 | 41 | M 6 | 17 |
| 42 | x | 80 | 86 | 18 | 42 | 57 | 67 | M 10 | 83 | M 8 | 41 |
| 45 | x | 80 | 86 | 18 | 42 | 57 | 67 | M 10 | 83 | M 8 | 41 |
| 48 | x | 85 | 91 | 18 | 42 | 57 | 67 | M 10 | 83 | M 8 | 41 |
| 50 | x | 85 | 91 | 18 | 42 | 57 | 67 | M 10 | 83 | M 8 | 41 |
| 55 | x | 90 | 96 | 18 | 42 | 57 | 67 | M 10 | 83 | M 8 | 41 |
| 60 | x | 95 | 101 | 18 | 42 | 57 | 67 | M 10 | 83 | M 8 | 41 |
| 65 | x | 100 | 106 | 18 | 42 | 57 | 67 | M 10 | 83 | M 8 | 41 |
| 70 | x | 115 | 121 | 24 | 56 | 74 | 86 | M 12 | 145 | M 10 | 83 |
| 75 | x | 125 | 131 | 24 | 56 | 74 | 86 | M 12 | 145 | M 10 | 83 |
| 80 | x | 125 | 131 | 24 | 56 | 74 | 86 | M 12 | 145 | M 10 | 83 |
| 85 | x | 135 | 141 | 24 | 56 | 74 | 86 | M 12 | 145 | M 10 | 83 |
| 90 | x | 135 | 141 | 24 | 56 | 74 | 86 | M 12 | 145 | M 10 | 83 |
| 95 | x | 150 | 156 | 26 | 67 | 82 | 96 | M 14 | 230 | M 12 | 145 |
| 100 | x | 150 | 156 | 26 | 67 | 82 | 96 | M 14 | 230 | M 12 | 145 |
| 110 | x | 160 | 166 | 26 | 67 | 82 | 96 | M 14 | 230 | M 12 | 145 |
| 120 | x | 170 | 176 | 26 | 67 | 82 | 96 | M 14 | 230 | M 12 | 145 |
| 130 | x | 190 | 196 | 30 | 71 | 95 | 111 | M 16 | 355 | M 14 | 230 |
| 140 | x | 200 | 206 | 30 | 71 | 95 | 111 | M 16 | 355 | M 14 | 230 |
| 150 | x | 210 | 216 | 30 | 71 | 95 | 111 | M 16 | 355 | M 14 | 230 |
| 160 | x | 220 | 226 | 30 | 71 | 95 | 111 | M 16 | 355 | M 14 | 230 |
| 170 | x | 240 | 249 | 40 | 92 | 122 | 142 | M 20 | 690 | M 16 | 355 |
| 180 | x | 250 | 256 | 40 | 92 | 122 | 142 | M 20 | 690 | M 16 | 355 |
| 190 | x | 260 | 269 | 40 | 92 | 122 | 142 | M 20 | 690 | M 16 | 355 |
| 200 | x | 270 | 276 | 40 | 92 | 122 | 142 | M 20 | 690 | M 16 | 355 |
| 220 | x | 290 | 296 | 40 | 92 | 122 | 142 | M 20 | 690 | M 16 | 355 |
| 240 | x | 310 | 316 | 40 | 92 | 122 | 142 | M 20 | 690 | M 16 | 355 |
| 260 | x | 330 | 336 | 40 | 92 | 122 | 142 | M 20 | 690 | M 16 | 355 |
| 280 | x | 365 | 371 | 45 | 108 | 144 | 168 | M 24 | 1.200 | M 20 | 690 |
| 300 | x | 385 | 391 | 45 | 108 | 144 | 168 | M 24 | 1.200 | M 20 | 690 |
| 320 | x | 405 | 414 | 45 | 108 | 144 | 168 | M 24 | 1.200 | M 20 | 690 |
| 340 | x | 425 | 431 | 45 | 108 | 144 | 168 | M 24 | 1.200 | M 20 | 690 |
| 360 | x | 445 | 451 | 45 | 108 | 144 | 168 | M 24 | 1.200 | M 20 | 690 |
| 380 | x | 465 | 471 | 45 | 108 | 144 | 168 | M 24 | 1.200 | M 20 | 690 |
| 400 | x | 485 | 491 | 45 | 108 | 144 | 168 | M 24 | 1.200 | M 20 | 690 |
| 420 | x | 505 | 511 | 45 | 108 | 144 | 168 | M 24 | 1.200 | M 20 | 690 |
| 440 | x | 525 | 531 | 59 | 137 | 178 | 202 | M 24 | 1.200 | M 20 | 690 |
| 460 | x | 545 | 551 | 59 | 137 | 178 | 202 | M 24 | 1.200 | M 20 | 690 |
| 480 | x | 565 | 571 | 59 | 137 | 178 | 202 | M 24 | 1.200 | M 20 | 690 |
| 500 | x | 585 | 591 | 59 | 137 | 178 | 202 | M 24 | 1.200 | M 20 | 690 |
| 520 | x | 605 | 611 | 59 | 137 | 178 | 202 | M 24 | 1.200 | M 20 | 690 |
| 540 | x | 625 | 631 | 59 | 137 | 178 | 202 | M 24 | 1.200 | M 20 | 690 |
| 560 | x | 645 | 651 | 59 | 137 | 178 | 202 | M 24 | 1.200 | M 20 | 690 |
| 580 | x | 665 | 671 | 59 | 137 | 178 | 202 | M 24 | 1.200 | M 20 | 690 |
| 600 | x | 685 | 691 | 59 | 137 | 178 | 202 | M 24 | 1.200 | M 20 | 690 |



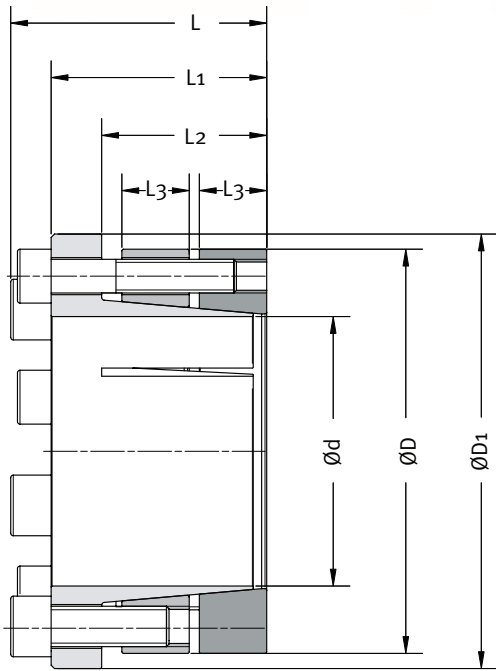
Features

- High capacity
- Self-centering, self-locking
- Fixed axial hub position during tightening
- Single taper design with two outer rings
- Well suited to transmit high bending moments
- Tolerances: shaft h8; hub bore H8
- Surface finish of shaft and hub bore $0.8 \mu\text{m} \leq Ra \leq 3.2 \mu\text{m}$

Application examples



Simultaneous connection of two gear wheels



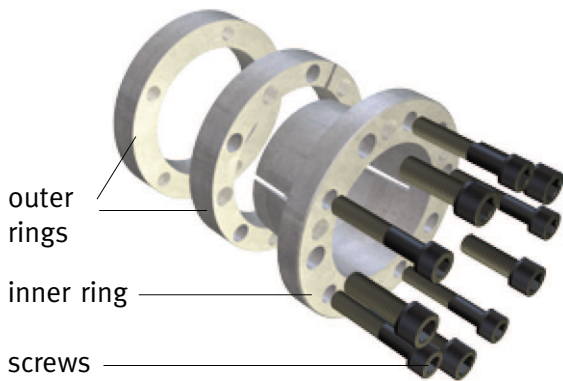
Example of order: MAV 6002 50 x 85

| DIMENSIONS | | | PERFORMANCES | | | | | | | | | | WEIGHT kg |
|------------|---|---------|-----------------------|-----------------------|------------------------|------------------------|------------------------|--------------------------|------------------------|------------------------|------------------------|------------------------|--------------|
| d mm | x | D mm | M _{t1} Nm | M _{t2} Nm | M _{tot} Nm | Fax ₁ kN | Fax ₂ kN | Fax _{tot} kN | Ps ₁ MPa | Ph ₁ MPa | Ps ₂ MPa | Ph ₂ MPa | |
| 30 | x | 60 | 620 | 330 | 950 | 41 | 22 | 63 | 243 | 121 | 131 | 66 | 0,8 |
| 32 | x | 65 | 660 | 450 | 1.110 | 41 | 28 | 69 | 227 | 112 | 154 | 76 | 0,9 |
| 35 | x | 65 | 720 | 490 | 1.210 | 41 | 28 | 69 | 208 | 112 | 141 | 76 | 0,9 |
| 38 | x | 70 | 980 | 530 | 1.510 | 51 | 28 | 79 | 239 | 130 | 130 | 70 | 1,0 |
| 40 | x | 70 | 1.030 | 560 | 1.590 | 51 | 28 | 79 | 227 | 130 | 123 | 70 | 1,0 |
| 42 | x | 80 | 1.420 | 1.080 | 2.500 | 68 | 51 | 119 | 237 | 124 | 181 | 95 | 1,6 |
| 45 | x | 80 | 1.520 | 1.160 | 2.680 | 68 | 51 | 119 | 221 | 124 | 168 | 95 | 1,5 |
| 48 | x | 85 | 2.030 | 1.230 | 3.260 | 84 | 51 | 135 | 259 | 146 | 158 | 89 | 1,7 |
| 50 | x | 85 | 2.110 | 1.290 | 3.400 | 84 | 51 | 135 | 249 | 146 | 152 | 89 | 1,6 |
| 55 | x | 90 | 2.320 | 1.410 | 3.730 | 84 | 51 | 135 | 226 | 138 | 138 | 84 | 1,7 |
| 60 | x | 95 | 3.040 | 1.850 | 4.890 | 101 | 62 | 163 | 249 | 157 | 152 | 96 | 1,9 |
| 65 | x | 100 | 3.290 | 2.010 | 5.300 | 101 | 62 | 163 | 230 | 149 | 140 | 91 | 2,0 |
| 70 | x | 115 | 5.300 | 3.550 | 8.850 | 151 | 101 | 252 | 239 | 145 | 160 | 97 | 3,6 |
| 75 | x | 125 | 6.620 | 4.430 | 11.050 | 177 | 118 | 295 | 260 | 156 | 174 | 105 | 4,3 |
| 80 | x | 125 | 7.060 | 4.730 | 11.790 | 177 | 118 | 295 | 244 | 156 | 163 | 105 | 4,0 |
| 85 | x | 135 | 7.500 | 5.020 | 12.520 | 177 | 118 | 295 | 230 | 145 | 154 | 97 | 4,7 |
| 90 | x | 135 | 7.950 | 5.320 | 13.270 | 177 | 118 | 295 | 217 | 145 | 145 | 97 | 4,3 |
| 95 | x | 150 | 11.300 | 8.390 | 19.690 | 238 | 177 | 415 | 255 | 162 | 190 | 120 | 6,1 |
| 100 | x | 150 | 11.900 | 8.830 | 20.730 | 238 | 177 | 415 | 242 | 162 | 180 | 120 | 5,6 |
| 110 | x | 160 | 13.100 | 9.710 | 22.810 | 238 | 177 | 415 | 220 | 151 | 164 | 113 | 6,1 |
| 120 | x | 170 | 14.300 | 10.600 | 24.900 | 238 | 177 | 415 | 202 | 143 | 150 | 106 | 6,5 |
| 130 | x | 190 | 24.200 | 17.600 | 41.800 | 372 | 271 | 643 | 253 | 173 | 185 | 126 | 10,5 |
| 140 | x | 200 | 26.000 | 19.000 | 45.000 | 372 | 271 | 643 | 235 | 164 | 171 | 120 | 11,3 |
| 150 | x | 210 | 27.900 | 20.400 | 48.300 | 372 | 271 | 643 | 219 | 157 | 160 | 114 | 11,8 |
| 160 | x | 220 | 29.700 | 21.700 | 51.400 | 372 | 271 | 643 | 205 | 149 | 150 | 109 | 12,5 |
| 170 | x | 240 | 49.400 | 31.600 | 81.000 | 581 | 372 | 953 | 227 | 161 | 145 | 103 | 21,5 |
| 180 | x | 250 | 52.300 | 33.500 | 85.800 | 581 | 372 | 953 | 214 | 154 | 137 | 99 | 21,5 |
| 190 | x | 260 | 55.200 | 35.300 | 90.500 | 581 | 372 | 953 | 203 | 148 | 130 | 95 | 23,5 |
| 200 | x | 270 | 72.700 | 46.500 | 119.200 | 727 | 465 | 1.192 | 241 | 178 | 154 | 114 | 23,6 |
| 220 | x | 290 | 79.900 | 51.100 | 131.000 | 727 | 465 | 1.192 | 219 | 166 | 140 | 106 | 25,5 |
| 240 | x | 310 | 105.000 | 66.900 | 171.900 | 872 | 558 | 1.430 | 241 | 186 | 154 | 119 | 27,6 |
| 260 | x | 330 | 113.000 | 72.500 | 185.500 | 872 | 558 | 1.430 | 222 | 175 | 142 | 112 | 29,6 |
| 280 | x | 365 | 148.000 | 102.000 | 250.000 | 1.060 | 727 | 1.787 | 223 | 171 | 153 | 117 | 45,5 |
| 300 | x | 385 | 159.000 | 109.000 | 268.000 | 1.060 | 727 | 1.787 | 208 | 162 | 143 | 111 | 48,3 |
| 320 | x | 405 | 203.000 | 139.000 | 342.000 | 1.270 | 870 | 2.140 | 234 | 185 | 161 | 127 | 52,8 |
| 340 | x | 425 | 252.000 | 173.000 | 425.000 | 1.480 | 1.020 | 2.500 | 257 | 206 | 176 | 141 | 53,9 |
| 360 | x | 445 | 305.000 | 209.000 | 514.000 | 1.690 | 1.160 | 2.850 | 277 | 224 | 190 | 154 | 58,8 |
| 380 | x | 465 | 322.000 | 221.000 | 543.000 | 1.690 | 1.160 | 2.850 | 263 | 215 | 180 | 147 | 59,6 |
| 400 | x | 485 | 339.000 | 232.000 | 571.000 | 1.690 | 1.160 | 2.850 | 250 | 206 | 171 | 141 | 62,4 |
| 420 | x | 505 | 356.000 | 244.000 | 600.000 | 1.690 | 1.160 | 2.850 | 238 | 198 | 163 | 136 | 65,2 |
| 440 | x | 525 | 373.000 | 256.000 | 629.000 | 1.690 | 1.160 | 2.850 | 173 | 145 | 119 | 100 | 84,3 |
| 460 | x | 545 | 390.000 | 267.000 | 657.000 | 1.690 | 1.160 | 2.850 | 166 | 140 | 114 | 96 | 87,8 |
| 480 | x | 565 | 406.000 | 279.000 | 685.000 | 1.690 | 1.160 | 2.850 | 159 | 135 | 109 | 92 | 91,3 |
| 500 | x | 585 | 476.000 | 327.000 | 803.000 | 1.910 | 1.310 | 3.220 | 171 | 146 | 118 | 101 | 94,8 |
| 520 | x | 605 | 495.000 | 340.000 | 835.000 | 1.910 | 1.310 | 3.220 | 165 | 142 | 113 | 97 | 98,3 |
| 540 | x | 625 | 514.000 | 353.000 | 867.000 | 1.910 | 1.310 | 3.220 | 159 | 137 | 109 | 94 | 102,0 |
| 560 | x | 645 | 533.000 | 366.000 | 899.000 | 1.910 | 1.310 | 3.220 | 153 | 133 | 105 | 91 | 105,0 |
| 580 | x | 665 | 614.000 | 421.000 | 1.035.000 | 2.120 | 1.450 | 3.570 | 164 | 143 | 113 | 98 | 109,0 |
| 600 | x | 685 | 635.000 | 436.000 | 1.071.000 | 2.120 | 1.450 | 3.570 | 159 | 139 | 109 | 95 | 113,0 |

Composition

- Slotted inner ring, with integrated push-off threads
- Two slotted outer rings
- Two sets of different sizes socket head cap screws, grade 12.9

Components



Code:

- Ma: screws tightening torque
- Mt: transmissible torque with Fax=0 kN
- Fax: transmissible axial load with Mt=0 Nm
- Ps: contact pressure on shaft
- Ph: contact pressure in hub bore