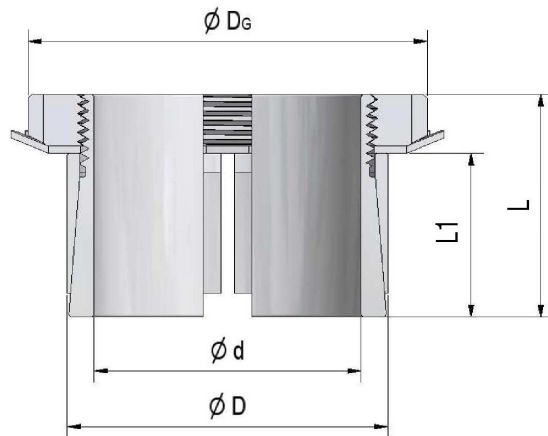
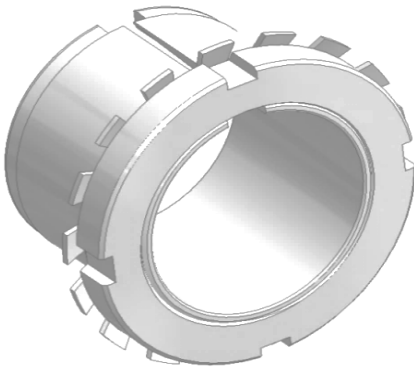


# Locking Assembly MAV 3705

rev. 1



**Low torque capacity**

**Low contact pressures**

**Self-locking & self-centering**

**Axial fixation of hub during tightening: no**

**Max tolerances: shaft h8; hub bore H8**

**Shaft / hub bore surface finish:  $0.8 \leq Ra \leq 3.2 \mu\text{m}$**

Ma: nut tightening torque  
 Mt: transmissible torque ( $F_{ax}=0$ )  
 Fax: transmissible axial load ( $M_t=0$ )  
 Ps: shaft pressure

**Example of order: MAV 3705 - 14 x 25 (d x D)**

DIMENSIONS						NUT DIN 981 - 14H		PERFORMANCES				WEIGHT
d	x	D	D <sub>G</sub>	L <sub>1</sub>	L	size	Ma	Mt	Fax	Ps	Ph	kg
mm		mm	mm	mm	mm		Nm	Nm	N	MPa	MPa	
14	x	25	32	24,0	31,0	M 20 x 1	100	80	12.700	143	80	0,08
15	x	25	32	24,0	31,0	M 20 x 1	100	80	12.700	134	80	0,08
16	x	25	32	24,0	31,0	M 20 x 1	100	90	12.700	126	80	0,07
17	x	25	34	24,0	31,0	M 20 x 1	100	90	12.700	118	80	0,07
18	x	30	38	24,0	32,3	M 25 x 1,5	160	130	16.200	142	85	0,13
19	x	30	38	24,0	32,3	M 25 x 1,5	160	130	16.200	135	85	0,12
20	x	30	38	24,0	32,3	M 25 x 1,5	160	140	16.200	128	85	0,11
22	x	35	45	29,0	37,3	M 30 x 1,5	220	180	18.900	112	70	0,19
24	x	35	45	29,0	37,3	M 30 x 1,5	220	190	18.900	103	70	0,16
25	x	35	45	29,0	37,3	M 30 x 1,5	220	200	18.900	99	70	0,16
28	x	40	52	34,0	43,3	M 35 x 1,5	340	300	25.000	100	70	0,25
30	x	40	52	34,0	43,3	M 35 x 1,5	340	320	25.000	93	70	0,23
32	x	45	58	34,0	44,3	M 40 x 1,5	480	420	30.700	107	76	0,32
35	x	45	58	34,0	44,3	M 40 x 1,5	480	460	30.700	98	76	0,27
38	x	50	65	35,0	46,3	M 45 x 1,5	680	640	39.500	112	85	0,37
40	x	50	65	35,0	46,3	M 45 x 1,5	680	680	39.500	107	85	0,33
42	x	55	70	35,0	47,3	M 50 x 1,5	870	820	45.600	118	90	0,46
45	x	55	70	35,0	47,3	M 50 x 1,5	870	880	45.600	110	90	0,40
48	x	60	75	35,0	47,5	M 55 x 2	970	990	48.200	109	87	0,49
50	x	60	75	35,0	47,5	M 55 x 2	970	1.030	48.200	104	87	0,42
55	x	65	80	35,0	47,5	M 60 x 2	1.100	1.190	50.400	99	84	0,48
60	x	70	85	35,0	48,5	M 65 x 2	1.300	1.470	57.000	103	88	0,53