

ICE MAKER MOTOR

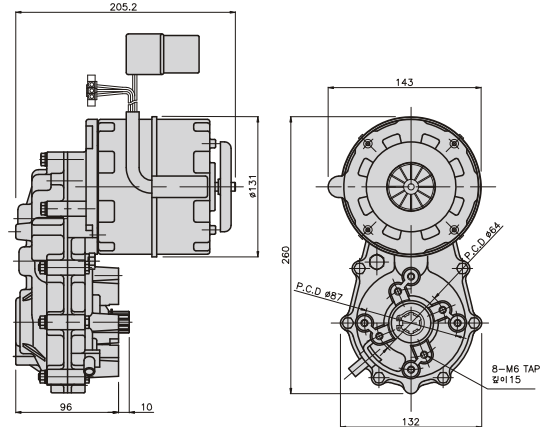
80W

Ø120mm

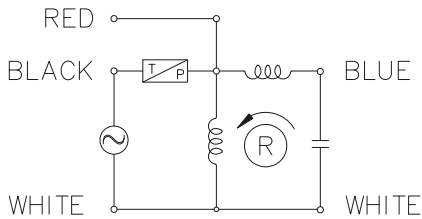
CONNECTOR TYPE

DIMENSIONS

K12IP80F□ + KGJ SERIES



CONNECTION DIAGRAMS



viewed from the end shaft of motor

SPECIFICATIONS

80W continuous rating, four poles

Model	Voltage (V)	Frequency (Hz)	Current (A)	Start T. (N*m/kgf*cm)	Rated T. (N*m/kgf*cm)	Speed (rpm)	Condenser (µF)
K12IP80FJ	100	50	1.6	0,38/3,8	0,56/5,6	1400	25
		60			0,47/4,7	1670	
K12IP80FC	220	50	0,8	0,38/3,8	0,56/5,6	1400	6
		60	0,75		0,47/4,7	1670	
K12IP80FC	220	50	1	0,5/5	0,625/6,25	1250	6
		60	0,9		0,505/5,05	1550	

AT Rated

FREQ(Hz)	50		60		50		60		50		60		50		60	
MODEL KGJ207C	RPM	Kg · m	RPM	Kg · m	RPM	Kg · m	RPM	Kg · m	RPM	Kg · m	RPM	Kg · m	RPM	Kg · m	RPM	Kg · m
1/207	6,8	8,0	8,1	8,0												