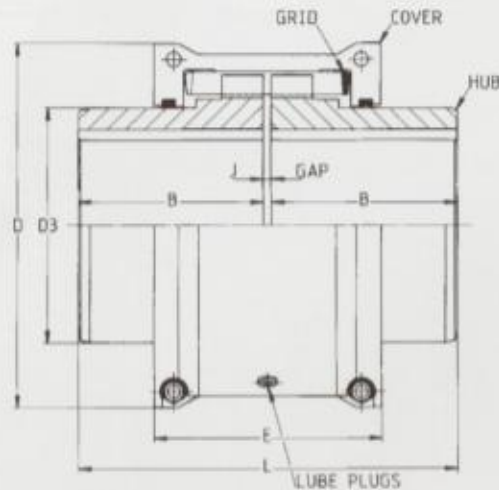


TYPE DG-H with horizontal split cover

- cover in cast aluminium
- easy to assemble, axial clearance unnecessary for grid removal



TYPE DG-V with vertically split cover

- same torque capability as the DG.H type but a higher maximum speed capability
- can operate in horizontal or vertical position
- cover in zinc plated steel, thus resistant to corrosion

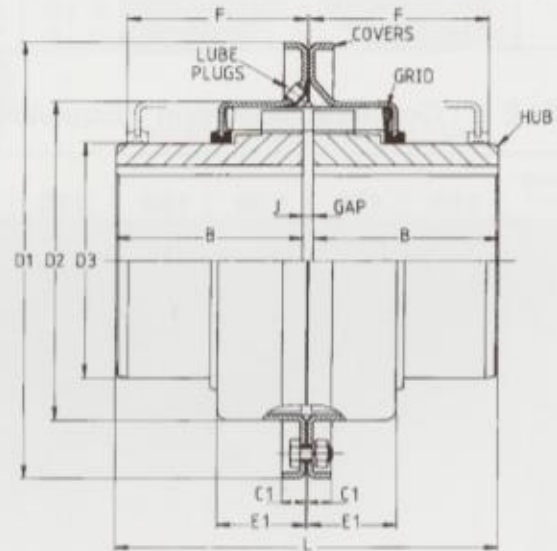


TABLE 7

Coupling size		2 DG	3 DG	4 DG	5 DG	6 DG	7 DG	8 DG	9 DG	10 DG	11 DG	12 DG	13 DG	14 DG
Power per 100 rpm	Kw	0.5	1.42	2.39	4.18	6.5	9.7	19.4	35.8	60	90	132	193	277
Torque rating	daNm	4.8	13.6	23	40	62	93	185	340	570	860	1265	1840	2645
Max bore + with	Rect	28	35	42	50	56	65	80	95	110	120	137	165	184
	Sq	28	35	41	48	54	63	76	89	102	114	127	152	178
	B	47	47	50	60	63	76	88	98	120	127	149	162	184
	C ₁	9.5	9.5	9.5	12	13	13	13	13	16	16	17	21	21
	D	88	99	107	130	139	150	176	196	251	270	308	346	384
	D ₁	112	121	129	148	162	174	200	232	267	286	319	378	416
	D ₂	64	73	83	99	111	124	150	168	197	216	245	283	321
	D ₃	39.5	49	57	66.5	76	87	104.5	123.5	142	160	179	217	254
	E	68	70	71	85	92	95	117	123	156	162	192	195	201
	E ₁	25	25.3	26	31	32	34	44	47	59	63	73	75	78
	F	48	48	51	61	64	67	89	96	121	124	143	147	156
	J	3	3	3	3	3	3	3	3	5	5	6	6	6
	L	97	97	103	123	129	155	179	199	245	259	304	330	374
Hub weight*	kg	0.57	0.85	1.2	1.9	2.7	4.1	7.1	10.6	17.4	23	34.7	53.2	80.6
Grid	No Segments	1	1	1	1	1	2	2	2	2	2	2	2	2
	total weight kg	0.08	0.083	0.1	0.29	0.33	0.35	0.92	1	2.1	2.5	4.4	5.4	6
Lube weight	kg	0.03	0.03	0.06	0.06	0.09	0.11	0.17	0.25	0.43	0.51	0.74	0.91	1.2
Coupling weight*	DG H	1.8	2.4	3.2	5.1	7.2	10.1	17.8	25	43	56	81.2	121	178
	DG V	1.9	2.5	3.3	5.3	7.4	10.4	18.2	26	43	56	81.7	122.5	180
Cover assy with grid	DG H	0.65	0.73	0.79	1.3	1.8	1.9	2.6	4	8.6	9.6	11.8	14.6	16.8
	DG V	0.75	0.84	0.92	1.5	2	2.2	4	4.6	8.6	9.6	12.3	16.1	18.8
Approx WR [†] kgm*	DG H	0.0014	0.0022	0.0032	0.0068	0.0117	0.0181	0.0437	0.0763	0.179	0.270	0.514	0.988	1.845
	DG V	0.0016	0.0024	0.0035	0.0076	0.0121	0.0181	0.0434	0.0797	0.178	0.272	0.471	1.044	1.882
Max speed Rpm	DG H	4500	4500	4500	4500	4350	4125	3600	3600	2440	2250	2025	1800	1650
	DG V	6000	6000	6000	6000	6000	5500	4750	4000	3250	3000	2700	2400	2200

* for rectangular section keys (ISO)

** for square section keys (AGMA)

+ when severe loading conditions exist be advise to reduce by TEN PER CENT the tabled maximum bore capacities for the hubs

• values are for hubs without bore

NOTE : all dimensions are subject to change without notice