

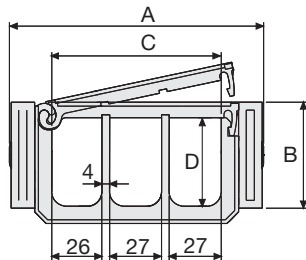
Serie Robot

SR510TN-SR515TN Circular Nylon Cable Chain with openable frames

Inner height (D) 46 mm

Double share Sideband & Frame construction with large anti-friction twin-pin.

Frames openable from inner radius.



Pin SR510TN

Part.no PG511

Pin SR515TN

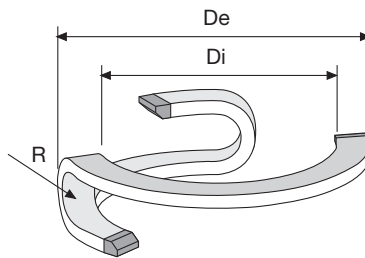
Part.no PG515-B515

Technical characteristics

Speed	180°/s
Acceleration	180°/s ²

For higher requirements please consult our technical dept.

A	B	C	D	R	Weight/pitch	Chain
mm	mm	mm	mm	mm	kg	Part Number
132	55	88	46	125	0,200	SR510TN
132	55	88	46	175	0,200	SR515TN



Chain Part Number	R mm	Di mm	De mm
SR510TN	125	940	1220
SR515TN	175	1060	1340

Length of Chain

Chain Part Numbers	Degrees of Rotation	No of Pitches
SR510TN	90	13
SR510TN	180	17
SR510TN	270	22
SR510TN	360	27
SR515TN	90	13
SR515TN	180	23
SR515TN	270	29
SR515TN	360	35



SR515TN

SR510TN

Steel End Brackets

The end brackets set, containing two steel plates screwed to the links, allows the two ends of the chain to be attached to the equipment. The end brackets are installed in one position offering the possibility of attaching the chain externally. (Fig. A)

SR510TN

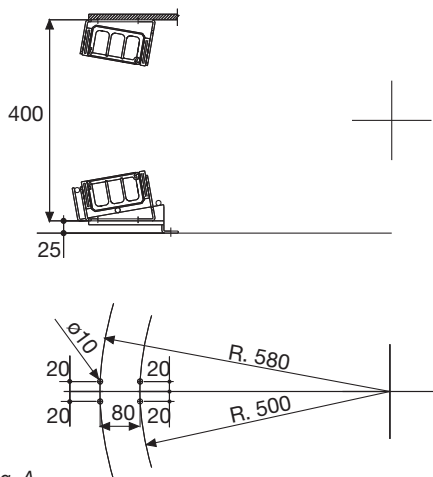


Fig. A

Support Guide

For correct functioning of the chain it is necessary that the installation is done in a specific position.

For this reason Brevetti Stendalto has observed and created a support guide which can do this. (Fig. B)

For particular applications it is possible to create support guides with attachment plates and special dimensions.

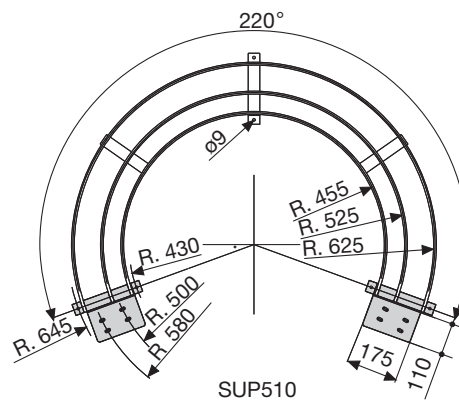


Fig. B

SR515TN

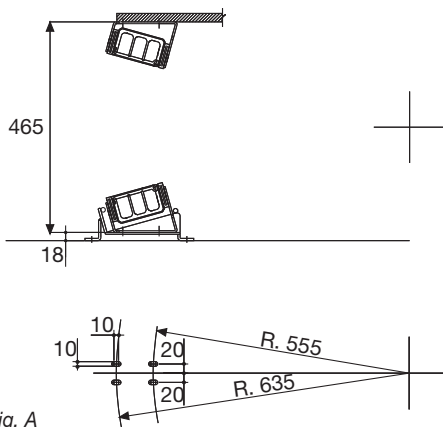


Fig. A

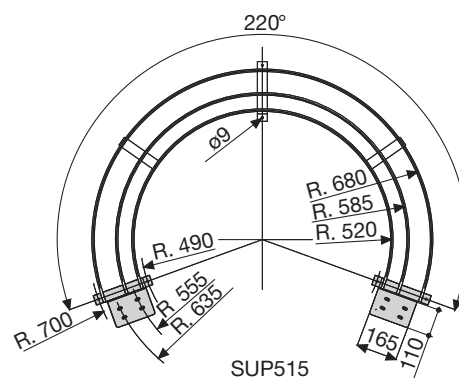


Fig. B

Steel End Brackets Part Numbers

Complete Set Assembled

Chain Type	End Brackets Set
SR510TN	A510TNKM
SR515TN	A515TNKM

Complete Set Unassembled

Chain Type	End Brackets Set
SR510TN	A510TNK
SR515TN	A515TNK

For applications with rotations exceeding 200° it is necessary to use the appropriate accessories for supporting the cable chain. (see page 28).

Serie Robot

SR510TN

SR515TN

Circular Nylon Cable Chain with openable frames